



Intelligent Design™

### Model: ECA15

- \_\_\_ (1) Seat
- \_\_\_ (1) Back
- \_\_\_ (2) Front legs
- \_\_\_ (2) Arms
- \_\_\_ (1) Long brace
- \_\_\_ (1) Short brace
- \_\_\_ (1) Hardware pack

### TOOLS NEEDED



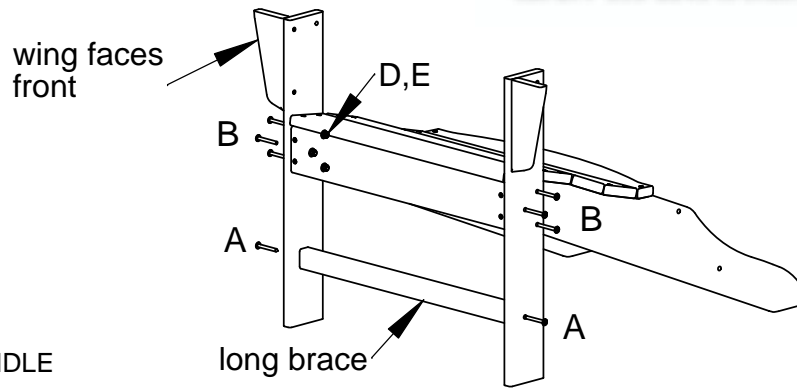
7/16 Wrench  
4mm HEX KEY, ALLEN, T-HANDLE  
(INCLUDED)

**Step 1**  
Attach front legs to seat  
using (6) 1-7/8" bolts, nuts  
and washer

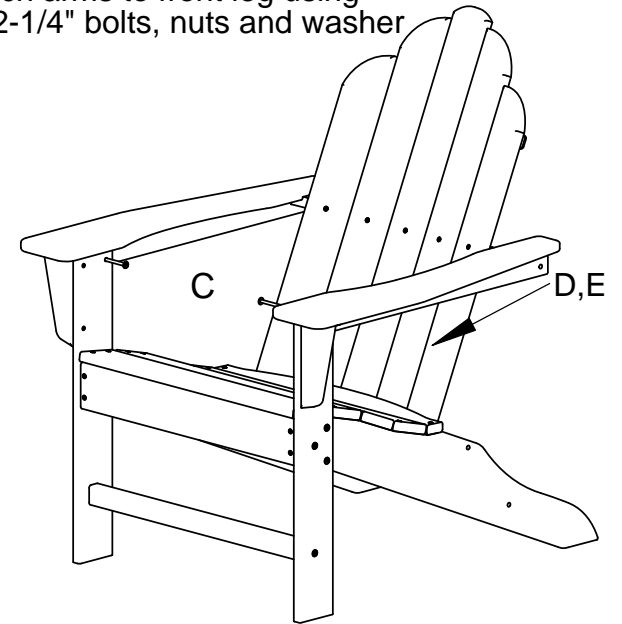
Attach long brace  
using (2) 2" screws

This Item can be found on  
[www.OutdoorFurniturePlus.com](http://www.OutdoorFurniturePlus.com)

Call 877-595-8543 to order.

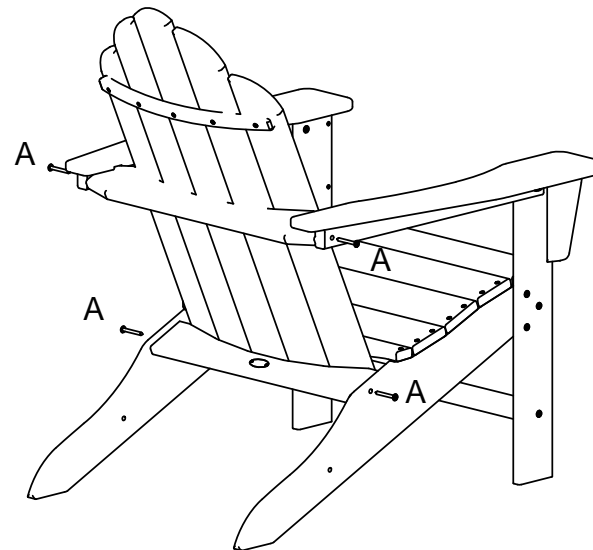


**Step 2**  
Attach arms to front leg using  
(2) 2-1/4" bolts, nuts and washer

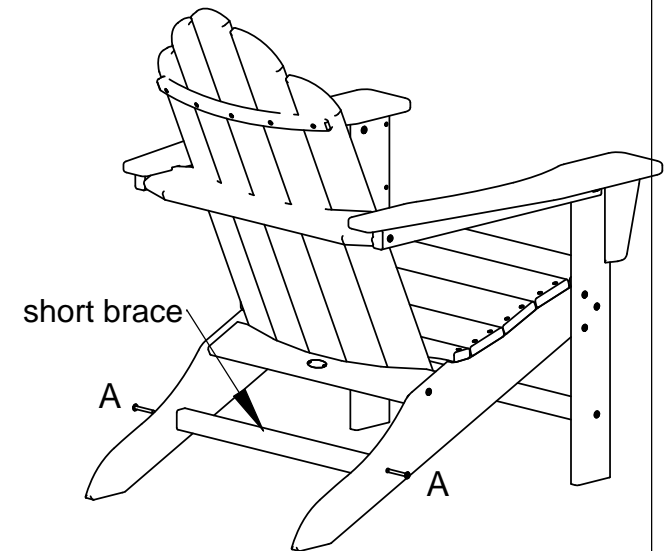


**Step 3**  
Attach back to seat  
using (2) 2" screws

Attach back to arm  
using (2) 2" screws



**Step 4**  
Attach short brace to rear leg  
using (2) 2" screws



Qty.	Description
8	A-.27 X 2 SOCKET WAFER A
6	B-1/4-20 X 1-7/8 WAFER SHCS
2	C-1/4-20 X 2-1/4 WAFER SHCS
8	D-1/4 FLAT WASHER
8	E-1/4-20 NYLOCK NUT

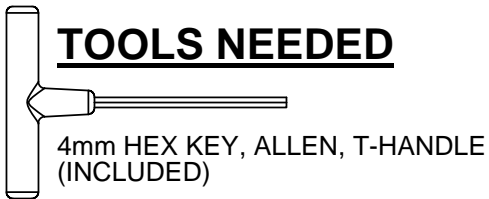
Model: ECT18, ECT26

This Item can be found on  
[www.OutdoorFurniturePlus.com](http://www.OutdoorFurniturePlus.com)

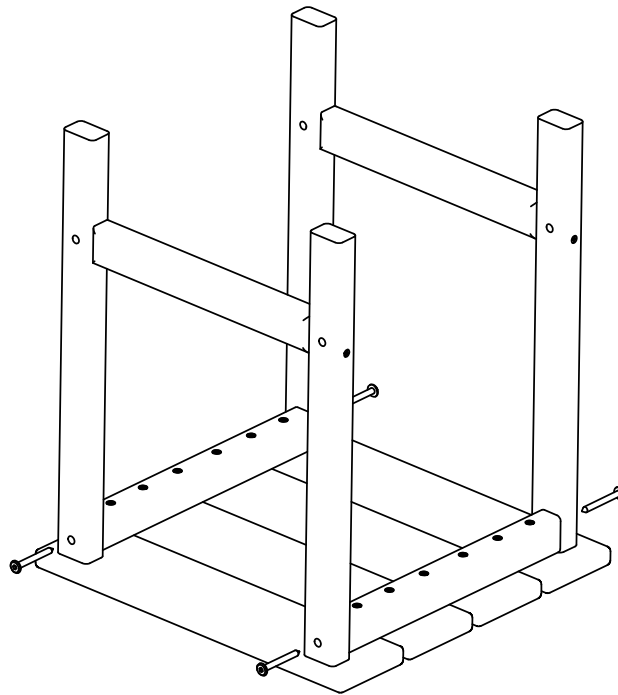
Call 877-595-8543 to order.

- (1) Table top
- (2) Sideframes
- (2) Braces
- (1) Hardware pack

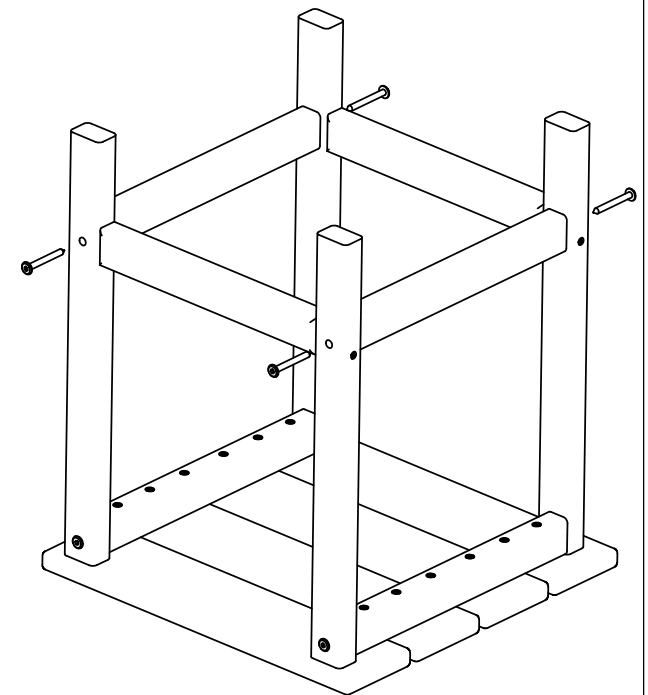
**TOOLS NEEDED**



**Step 1**  
Attach sideframes to table top  
using (4) 2" screws



**Step 2**  
Attach braces to sideframes  
using (4) 2" screws



Qty.	Description
8	A - .27 X 2 SOCKET WAFER A