

Model: R100

- ___ (1) Hardware pack
- ___ (2) Sideframes
- ___ (2) Rocker bottom
- ___ (1) Back
- ___ (1) Seat
- ___ (1) Long brace
- ___ (1) Short brace
- ___ (1) Head piece

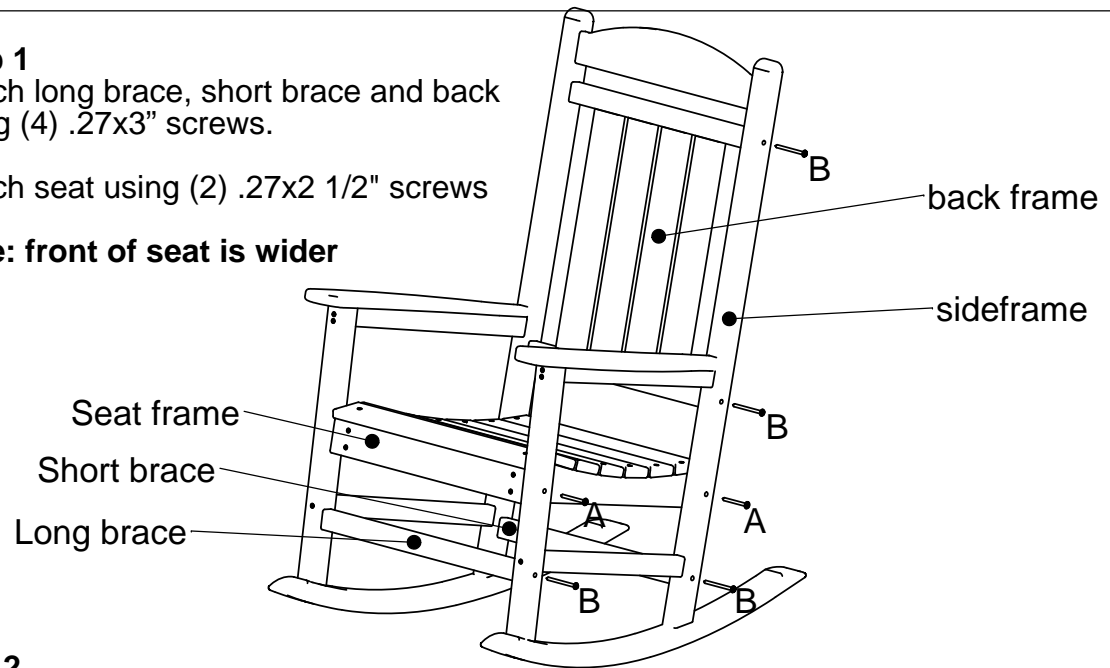
This Item can be found on
www.OutdoorFurniturePlus.com

Call 877-595-8543 to order.

Step 1
 Attach long brace, short brace and back using (4) .27x3" screws.

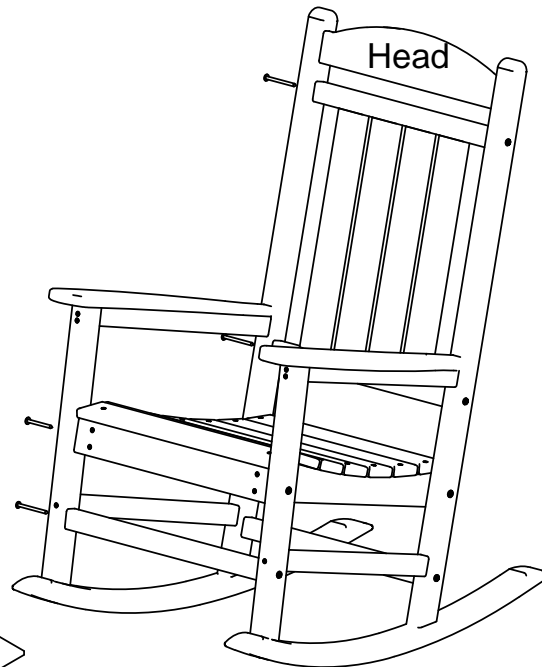
Attach seat using (2) .27x2 1/2" screws

Note: front of seat is wider

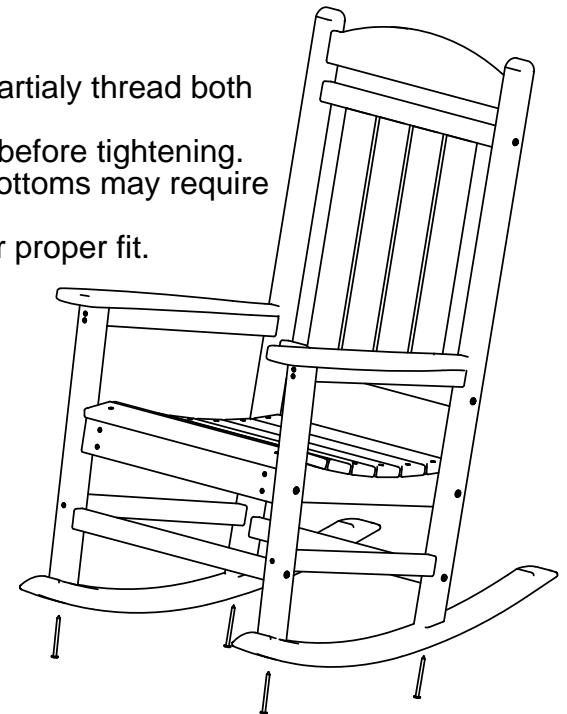


Step 2
 Insert head piece into top of post
 Repeat step 1 on other side

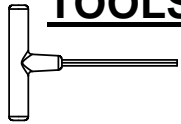
Step 3
 Attach rocker bottom with (4) 14x3" screws



NOTE: Partially thread both screws into post before tightening. Rocker bottoms may require some flexing for proper fit.



TOOLS NEEDED

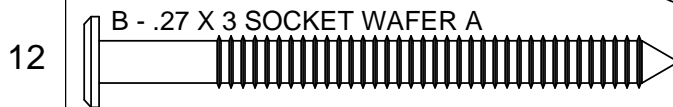
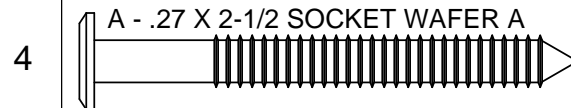


4MM HEX KEY, ALLEN, T-HANDLE
 INCLUDED



4MM HEX KEY, SHORT, FOR DRILL
 INCLUDED

| Qty. | Description |
|------|--------------------------------|
| 4 | A - .27 X 2-1/2 SOCKET WAFER A |
| 12 | B - .27 X 3 SOCKET WAFER A |



Model: TWST, BST

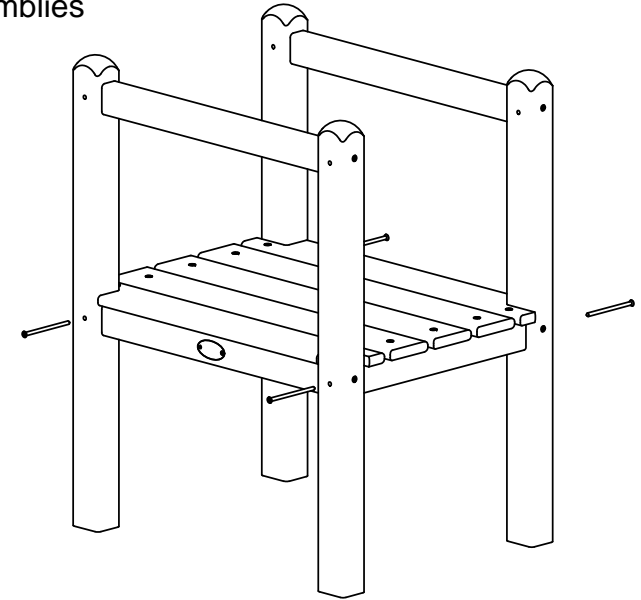
- (2) Trays
- (2) Leg assembly
- (1) Hardware pack

Step 1
Attach a tray to the middle of the leg assemblies
by resting tray on the leg assemblies
Uses (4) 8x3 screws

Note:
Trays do not have pilot holes.
Screws go directly into Polywood
without pilot holes

This Item can be found on
www.OutdoorFurniturePlus.com

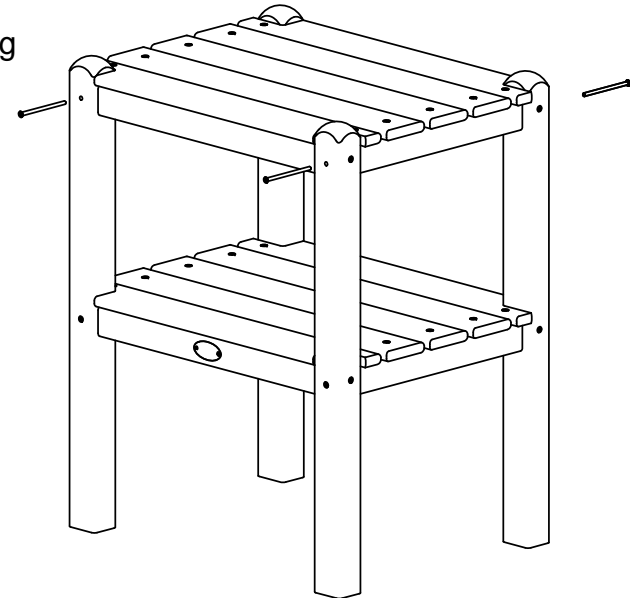
Call 877-595-8543 to order.



TOOLS NEEDED

Phillips head screwdriver
A screw gun is required

Step 2
Attach other tray to the top of the leg
assemblies.
Uses (4) 8x3 screws



| Qty. | Description |
|------|---------------------------|
| 8 | A - 8 X 3 PHIL FLAT SCREW |