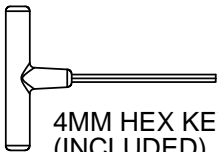


MODEL: 1911 - 1912

- (2) Side frames RH/LH
- (1) Seat assembly
- (1) Back assembly
- (1) Medallion brace
- (1) Foot rest
- (1) Hardware pack

TOOLS NEEDED



4MM HEX KEY, ALLEN, T-HANDLE
(INCLUDED)

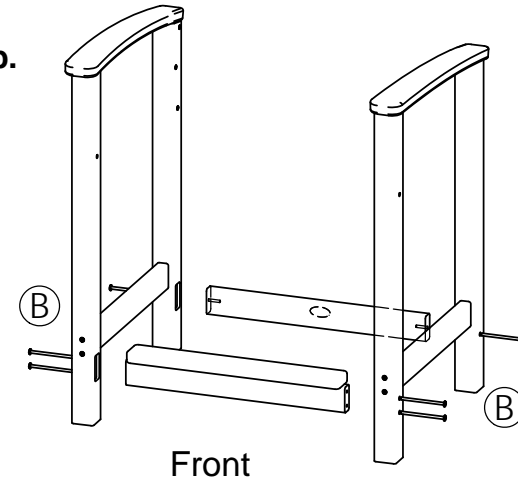
STEP 1

Attach brace and foot rest into pockets on side frames using (6) 3" screws.

Do not tighten screws until last step.

This Item can be found on
www.OutdoorFurniturePlus.com

Call 877-595-8543 to order.



Front

STEP 2

Attach seat to side frames using (2) 4" screws for front leg and (2) 1-3/4 bolts for back leg.

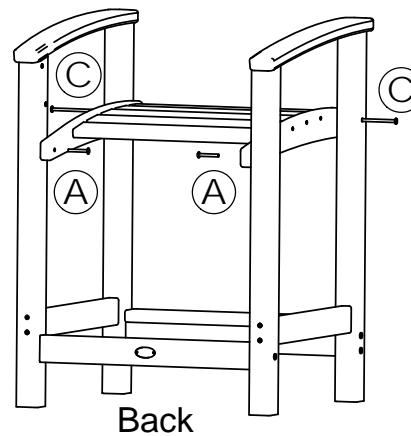
STEP 3

Attach back assembly to side frames using (4) 1-3/4 bolts.

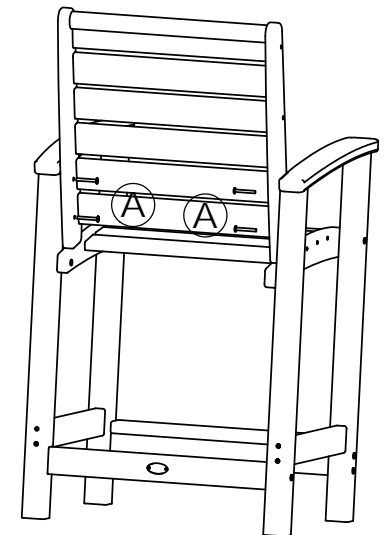
Tighten all screws.

QTY DESCRIPTION

6	A - 1/4-20 X 1-3/4 WAFER SHCS
6	B - .27 X 3 SOCKET WAFER "A"
2	C - .27 X 4 SOCKET WAFER "A"



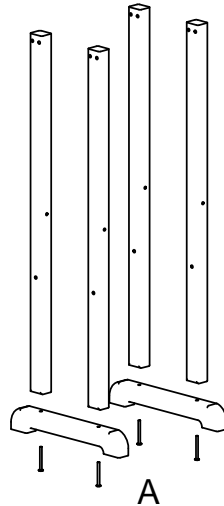
Back



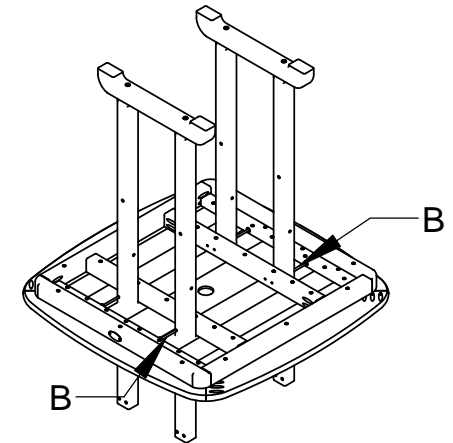
Model: NCBT31 & LB31

- (1) Table top
- (4) Leg
- (2) Foot
- (2) Long Braces
- (2) Short Braces
- (2) Hardware pack (Table\Leg Kit)

Step 1
Attach feet to legs using (4) 2½" Chair bolts.



Step 2
Lay table top on flat surface.
Attach the leg assemblies to the table frame using (8) .27x2-1/2" screws

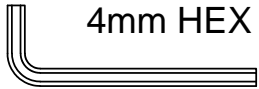


This Item can be found on
www.OutdoorFurniturePlus.com

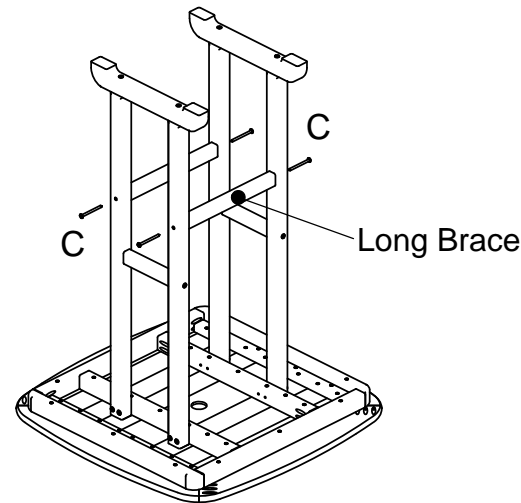
Call 877-595-8543 to order.

TOOLS NEEDED

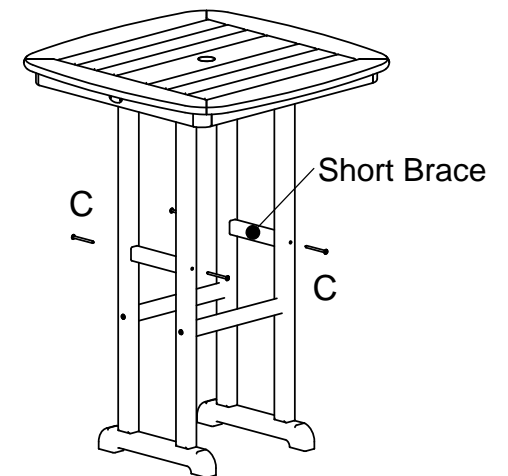
4mm HEX KEY: INCLUDED



Step 3
Attach Long leg braces to the leg assemblies using (4) .27x3" screws



Step 4
Attach Short leg braces to the leg assemblies using (4) .27x3" screws



Qty.	Description
4	A - 1/4-20 X 2-1/2 WAFER SHCS
8	B - .27 X 2-1/2 SOCKET WAFER "A"
8	C - .27 X 3 SOCKET WAFER "A"

