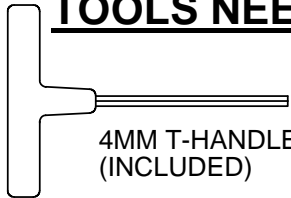


MODEL: 1910

- (2) Side frames RH/LH
- (1) Seat assembly
- (1) Back assembly
- (1) Medallion brace
- (1) Front brace
- (1) Hardware pack

TOOLS NEEDED



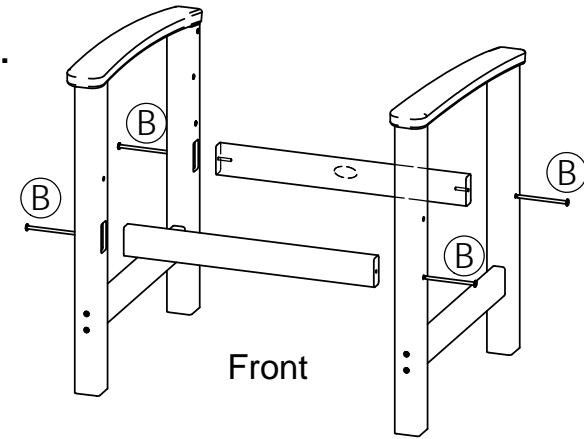
4MM T-HANDLE HEX KEY
(INCLUDED)

STEP 1
Attach braces into pockets on side frames
using (4) 3" screws

Do not tighten screws until last step.

This Item can be found on
www.OutdoorFurniturePlus.com

Call 877-595-8543 to order.



Front

STEP 2
Attach seat assembly to side frames using
(2) 4" screws for front legs and (2) 1-3/4 bolts
for back legs.

STEP 3
Attach back assembly to side frames
using (4) 1-3/4 bolts.

Tighten all screws.

QTY	DESCRIPTION
6	A - 1/4-20 X 1-3/4 WAFER SHCS
4	B - .27 X 3 SOCKET WAFER "A"
2	C - .27 X 4 SOCKET WAFER "A"

A - 1/4-20 X 1-3/4 WAFER SHCS

6



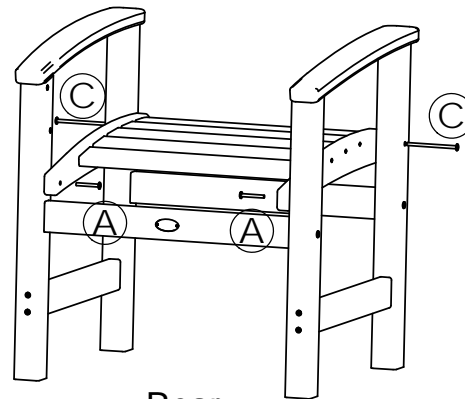
4

B - .27 X 3 SOCKET WAFER "A"

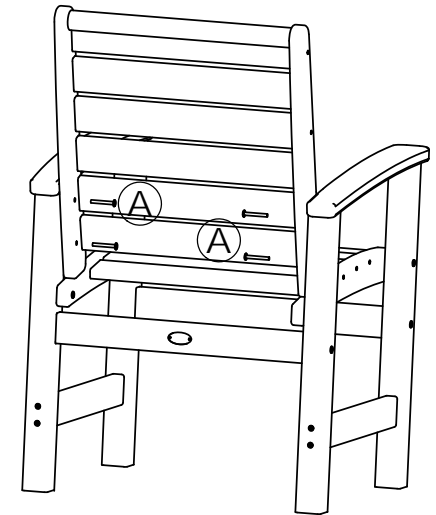


2

C - .27 X 4 SOCKET WAFER "A"



Rear



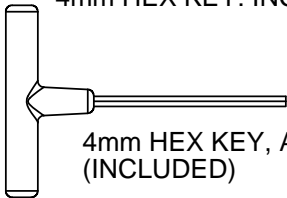
Models: RT248, RCT248,
RRT248, RBT248

- (1) Table top
- (4) Leg
- (2) Foot
- (2) Brace
- (1) Hardware pack

TOOLS NEEDED

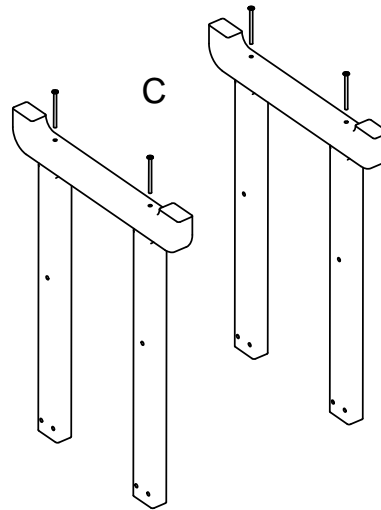


4mm HEX KEY: INCLUDED

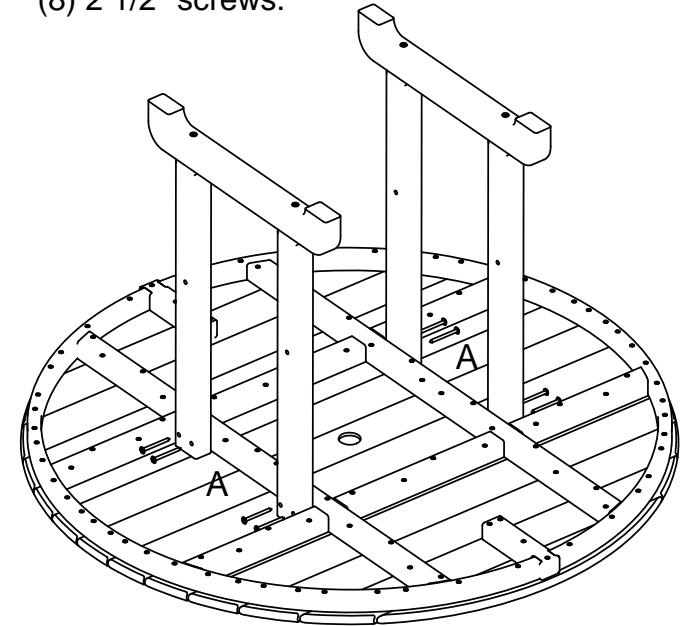


4mm HEX KEY, ALLEN, T-HANDLE
(INCLUDED)

Step 1
Attach feet to legs using
(4) 3 1/4" Chair bolts.

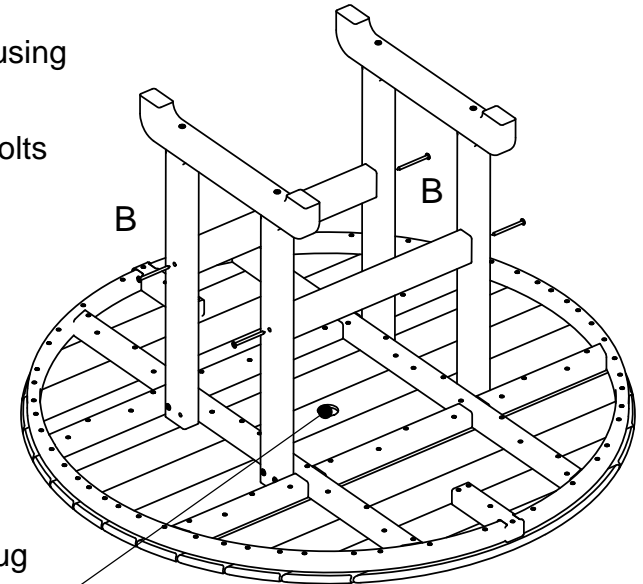


Step 2
Lay the table top on a flat surface.
Attach the leg assemblies to the table top using
(8) 2 1/2" screws.

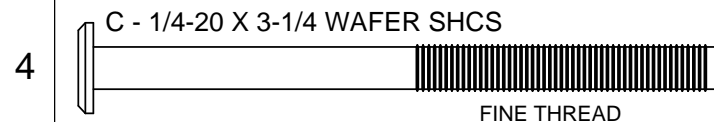
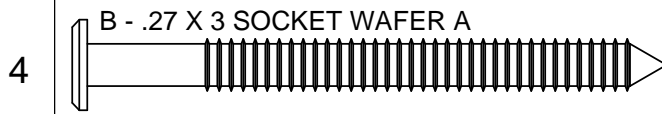
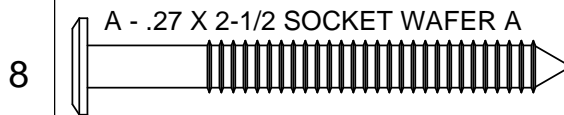


Step 3
Attach braces to leg assemblies using
(4) 3" screws.

Set table upright and tighten all bolts



Qty.	Description
8	A - .27 X 2-1/2 SOCKET WAFER A
4	B - .27 X 3 SOCKET WAFER A
4	C - 1/4-20 X 3-1/4 WAFER SHCS



This Item can be found on
www.OutdoorFurniturePlus.com

Call 877-595-8543 to order.