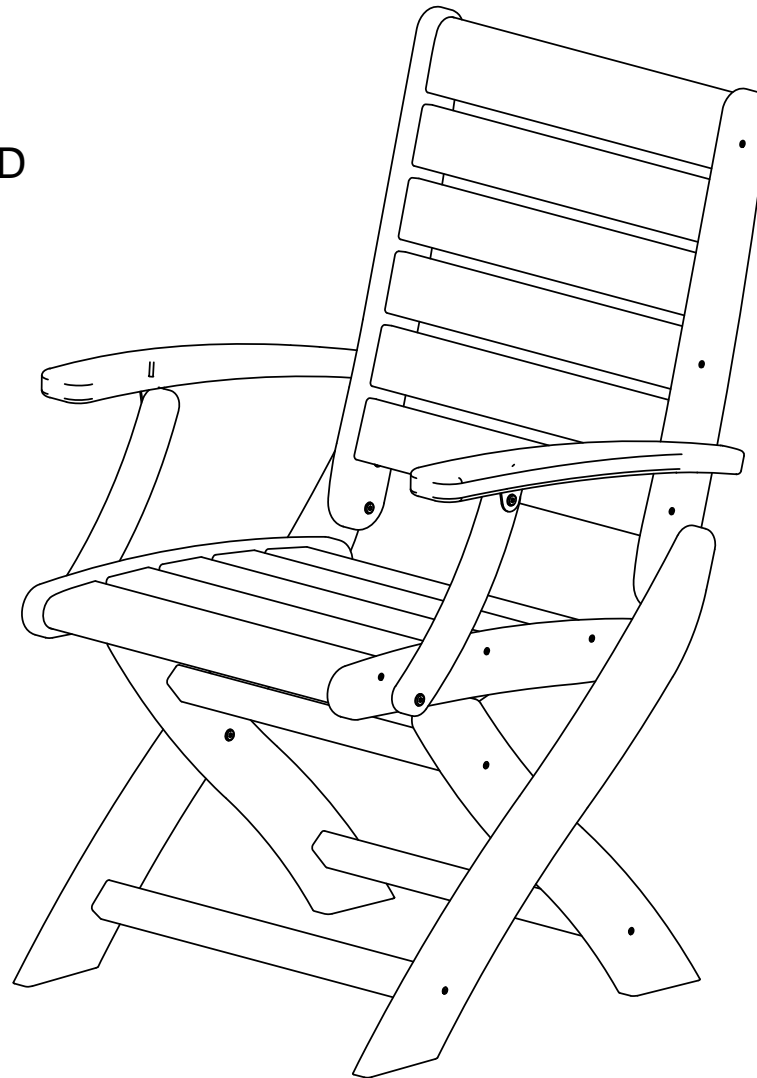


Model : 1900

**FEATURES:**

1. NO ASSEMBLY REQUIRED





Intelligent Design™

Model:  
NCCT3772, NCT3772, NCRT3772, NCBT3772

- \_\_\_ (1) Table top
- \_\_\_ (8) Leg
- \_\_\_ (4) Foot
- \_\_\_ (4) Brace
- \_\_\_ (1) Hardware pack

**Step 2**

Lay the table frame on a flat surface.  
Attach the leg assemblies to the frame using  
(16) .27x2½" screws - Do not tighten yet.

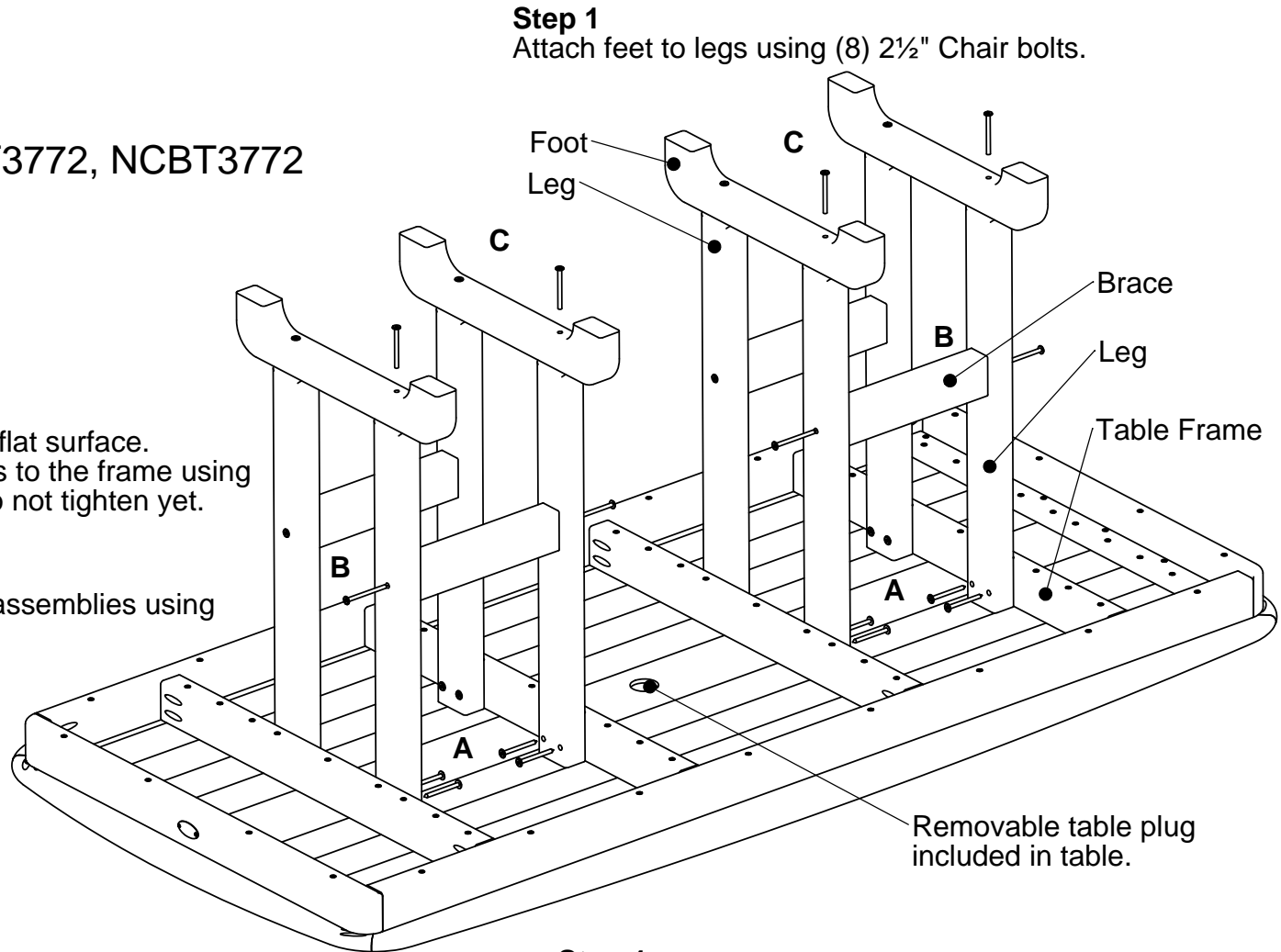
**Step 3**

Attach braces to the leg assemblies using  
(8) .27x3" screws

**TOOLS NEEDED**



4mm HEX KEY, ALLEN, T-HANDLE  
(INCLUDED)



**Step 1**  
Attach feet to legs using (8) 2½" Chair bolts.

**Step 4**  
Set table upright and tighten all bolts.

Qty.	Description
16	A - .27 X 2-1/2 SOCKET WAFER A
8	B - .27 X 3 SOCKET WAFER A
8	C - 1/4-20 X 2-1/2 WAFER SHCS