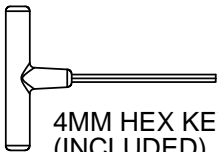


MODEL: 1911 - 1912

- (2) Side frames RH/LH
- (1) Seat assembly
- (1) Back assembly
- (1) Medallion brace
- (1) Foot rest
- (1) Hardware pack

## TOOLS NEEDED

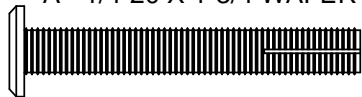


4MM HEX KEY, ALLEN, T-HANDLE  
(INCLUDED)

QTY	DESCRIPTION
6	A - 1/4-20 X 1-3/4 WAFER SHCS
6	B - .27 X 3 SOCKET WAFER "A"
2	C - .27 X 4 SOCKET WAFER "A"

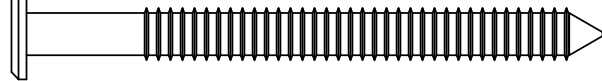
A - 1/4-20 X 1-3/4 WAFER SHCS

6



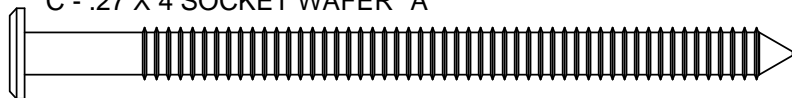
B - .27 X 3 SOCKET WAFER "A"

6



C - .27 X 4 SOCKET WAFER "A"

2



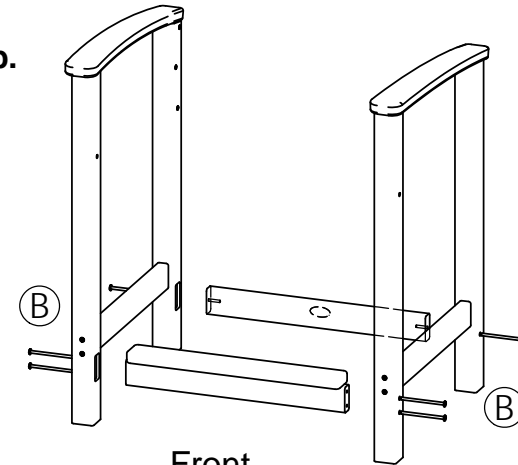
### STEP 1

Attach brace and foot rest into pockets on side frames using (6) 3" screws.

**Do not tighten screws until last step.**

This Item can be found on  
[www.OutdoorFurniturePlus.com](http://www.OutdoorFurniturePlus.com)

Call 877-595-8543 to order.



Front

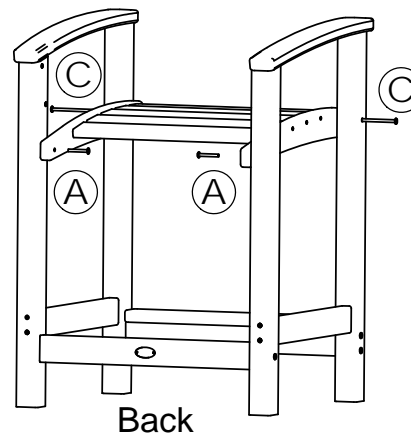
### STEP 2

Attach seat to side frames using (2) 4" screws for front leg and (2) 1-3/4 bolts for back leg.

### STEP 3

Attach back assembly to side frames using (4) 1-3/4 bolts.

**Tighten all screws.**



Back

