

Assembly Directions for Comfo-Back Chaise Lounge

#PCCL7400



PACKAGE CONTENTS

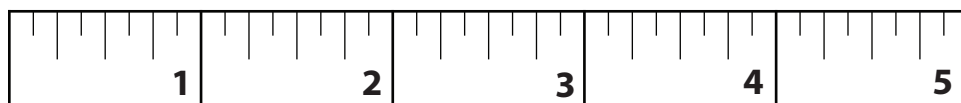
- 1 Seat
- 1 Back
- 3 Leg Assemblies
- 2 Arm Assemblies
- 1 Reclining Brace
- 2 Wheels
- 2 Arm Braces
- 1 Hardware Package

HARDWARE PACKAGE

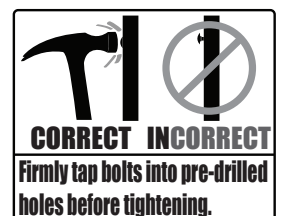
- 2 1/4" x 2 1/4" Allen Head Bolts
- 2 1/4" x 2 3/4" Allen Head Bolts
- 6 1/4" x 3" Allen Head Bolts
- 2 5/16" x 3" Allen Head Bolts
- 12 1/4" x 3 1/2" Allen Head Bolts
- 12 1/4" Flange Nuts
- 10 1/4" Lock Nuts
- 20 1/4" Washers
- 2 5/16" Lock Nuts
- 4 5/16" Washers
- 1 Allen Wrench

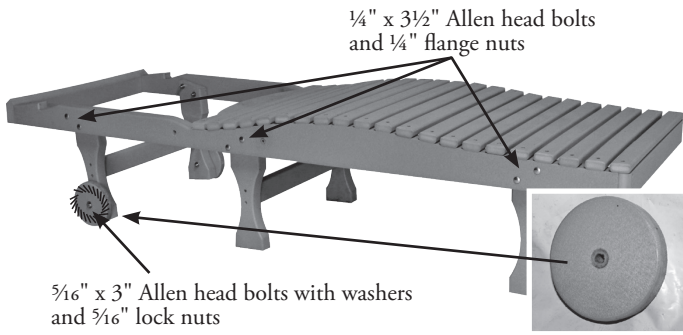
TOOLS NEEDED:

- Hammer
- 1/2" Wrench
- 7/16" Wrench
- Allen Wrench
(Included)

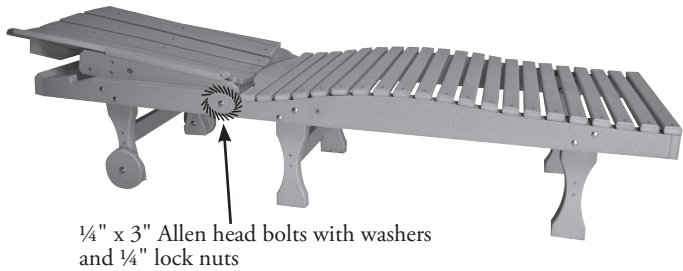


Use to measure bolts

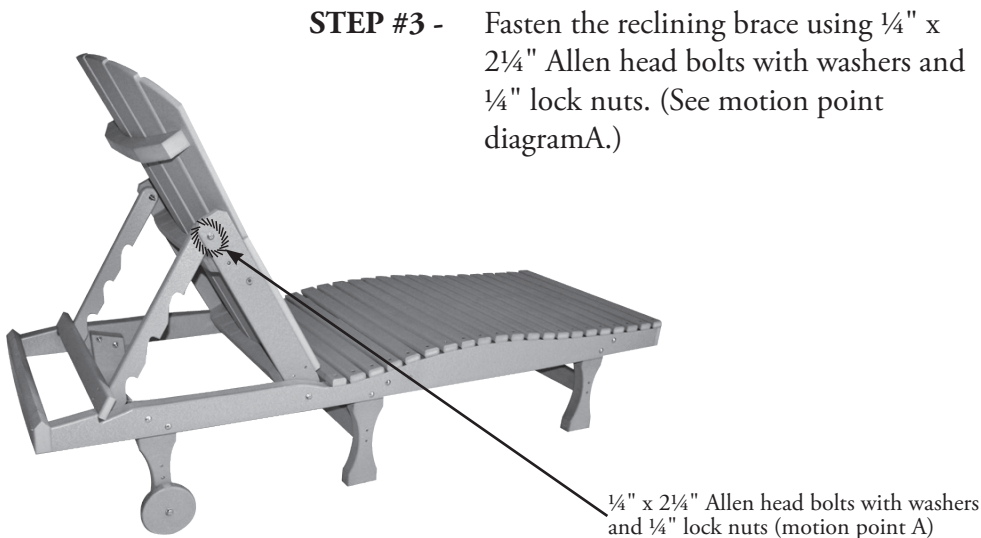




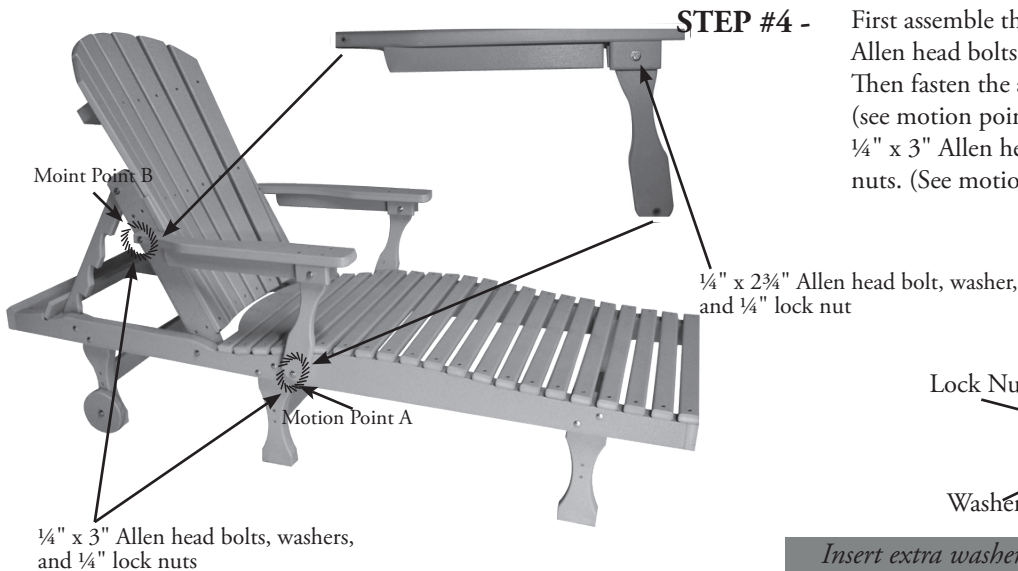
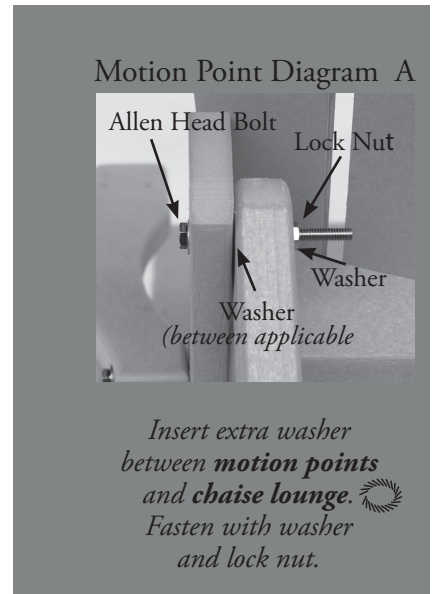
STEP #1 - Fasten the three leg assemblies to the seat using $\frac{1}{4}$ " x $3\frac{1}{2}$ " Allen head bolts and $\frac{1}{4}$ " flange nuts. Then attach the wheel using $\frac{5}{16}$ " x 3" Allen head bolts, washers, and $\frac{5}{16}$ " lock nuts. (See motion point diagram A.)



STEP #2 - Fasten the back to the seat using $\frac{1}{4}$ " x 3" Allen head bolts with washers and $\frac{1}{4}$ " lock nuts. (See motion point diagram A.)



STEP #3 - Fasten the reclining brace using $\frac{1}{4}$ " x $2\frac{1}{4}$ " Allen head bolts with washers and $\frac{1}{4}$ " lock nuts. (See motion point diagram A.)



STEP #4 - First assemble the arm assembly using $\frac{1}{4}$ " x $2\frac{3}{4}$ " Allen head bolt, one washer, and $\frac{1}{4}$ " lock nuts. Then fasten the arm assembly to the seat support (see motion point diagram A) and the back using $\frac{1}{4}$ " x 3" Allen head bolts, washers, and $\frac{1}{4}$ " lock nuts. (See motion point diagram B.)

