

POLYWOOD®

Intelligent Design™

Model: AD7030

This Item can be found on
www.OutdoorFurniturePlus.com

Call 877-595-8543 to order.

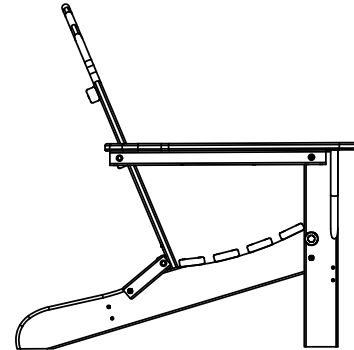
Step 1

Unfold chair assembly

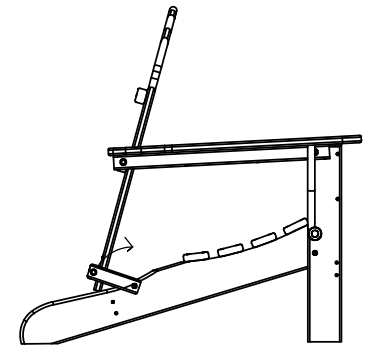
Step 2

Insert (2) 2¼" bolts, washers and locknuts
into pre-drill holes
Then insert pins

Step 1



Correct



Incorrect

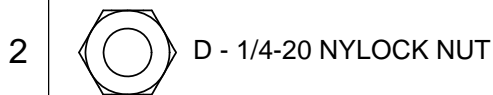
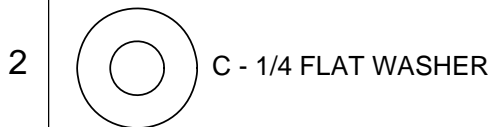
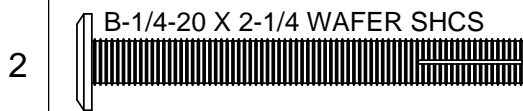
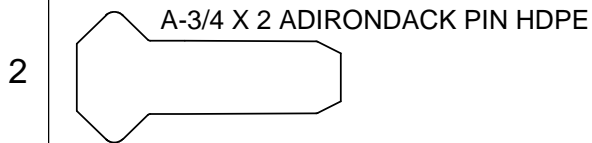


7/16 wrench

4MM HEX KEY, ALLEN, T-HANDLE
(included)

TOOLS NEEDED

Qty.	Description
------	-------------



Step 2

