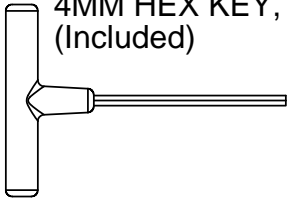


MODEL: NAW2280

- (1) HARDWARE PACK
- (2) SIDEFAME
- (1) SEAT
- (1) BACK
- (2) STRETCHER
- (1) STRETCHER ASSEMBLY
- (2) FRONT LEG
- (1) METAL BRACE

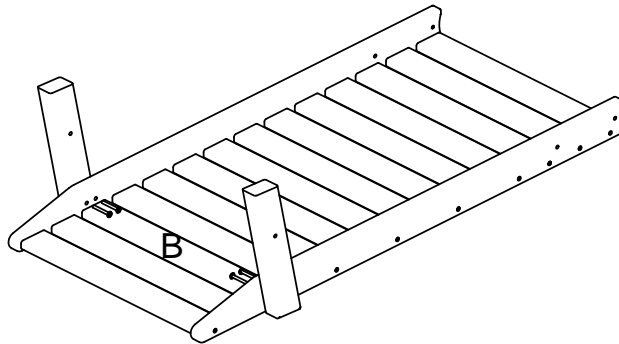
## TOOLS NEEDED

4MM HEX KEY, ALLEN, T-HANDLE  
(Included)



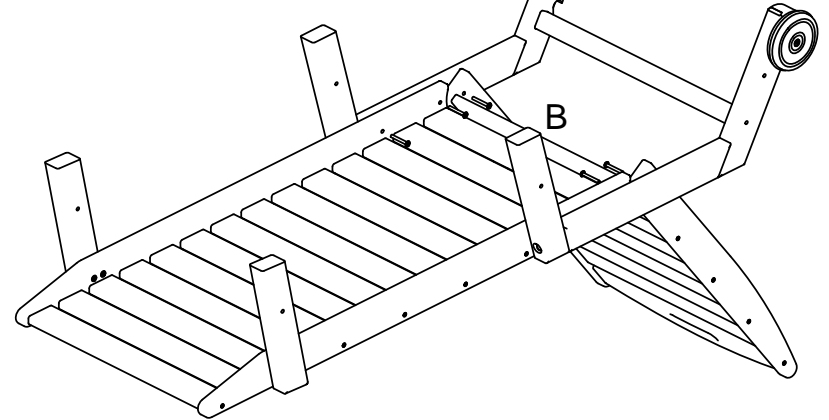
### STEP 1

Attach front legs to seat assembly using (4) 1-3/4" bolts



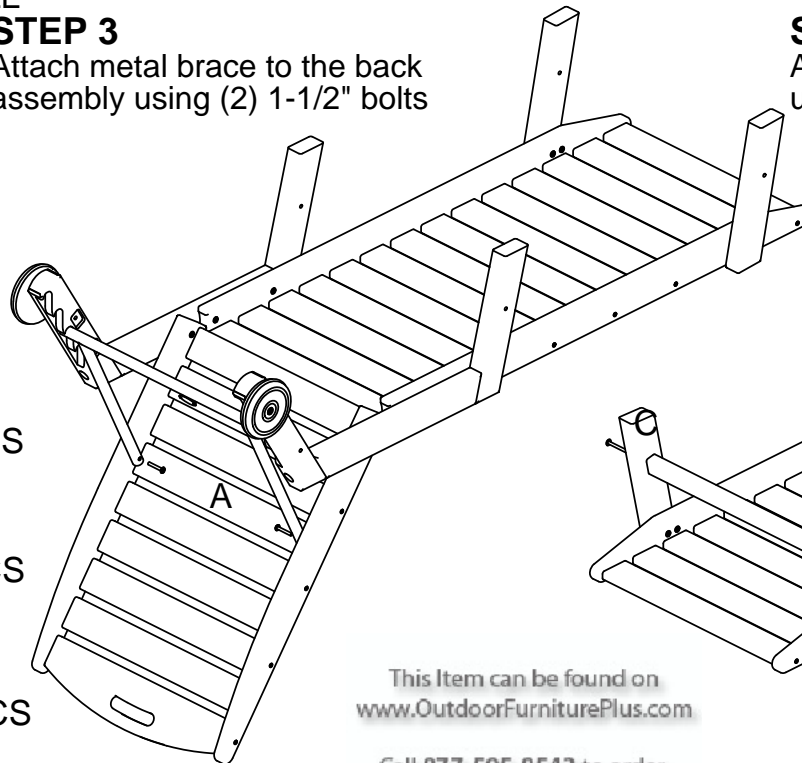
### STEP 2

Attach sideframes to both the seat and back assemblies using (6) 1-3/4" bolts



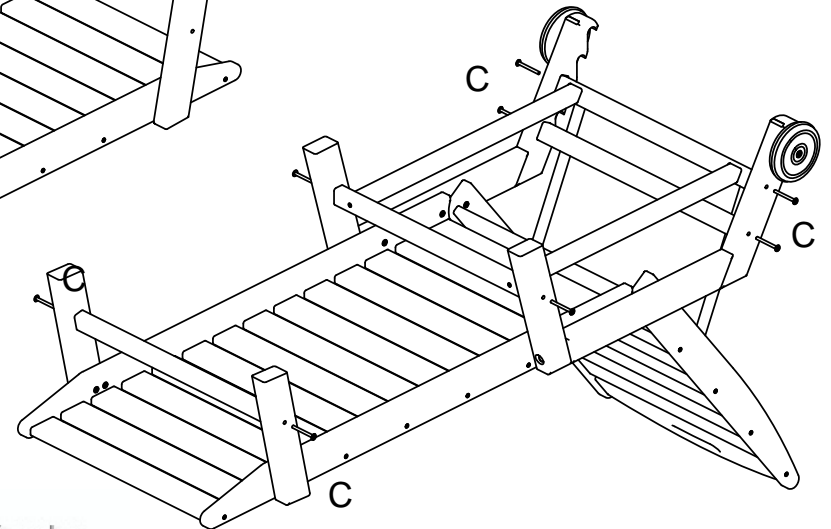
### STEP 3

Attach metal brace to the back assembly using (2) 1-1/2" bolts



### STEP 4

Attach stretchers to the legs using (8) 2-1/4" bolts



Qty.	Description
2	A-1/4-20 X 1-1/2 WAFER SHCS
10	B-1/4-20 X 1-3/4 WAFER SHCS
8	C-1/4-20 X 2-1/4 WAFER SHCS

This Item can be found on  
[www.OutdoorFurniturePlus.com](http://www.OutdoorFurniturePlus.com)

Call 877-595-8543 to order.