

POLYWOOD®

Intelligent Design™

Model: SBC76

- (1) Seat
- (1) Back
- (2) Front legs
- (2) Back legs
- (2) Mid legs
- (2) Arms
- (3) Braces
- (1) Hardware pack

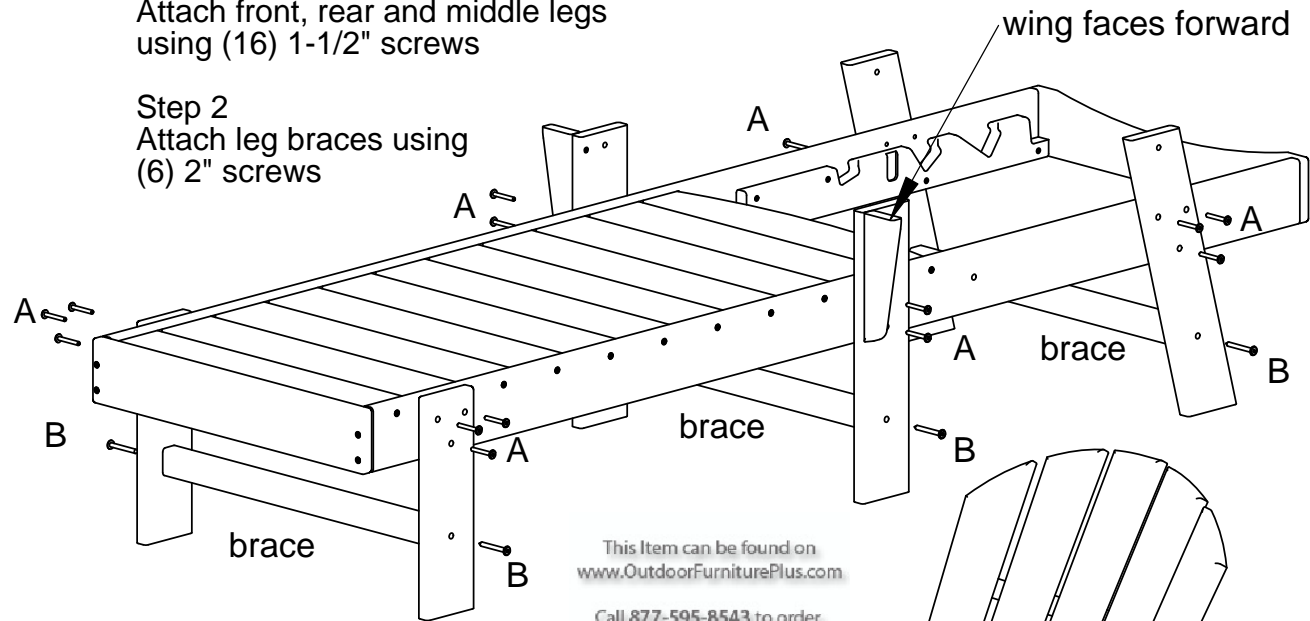
TOOLS NEEDED



7/16 Wrench
4mm Hex Key (included)

Step 1
Attach front, rear and middle legs
using (16) 1-1/2" screws

Step 2
Attach leg braces using
(6) 2" screws



This Item can be found on
www.OutdoorFurniturePlus.com

Call 877-595-8543 to order.

Qty.	Description
16	A-.27 X 1-1/2 SOCKET WAFER B
8	B-.27 X 2 SOCKET WAFER A
4	C-1/4-20 X 2-1/4 WAFER SHCS
4	D-1/4 FLAT WASHER
4	E-1/4-20 NYLOCK NUT

Step 3
Attach arms to legs
using (4) 2-1/4" bolts, nuts and washer

Step 4
Attach back to seat
using (2) 2" wafer screws

