

# Trex® Outdoor Furniture™

## Assembly Instructions

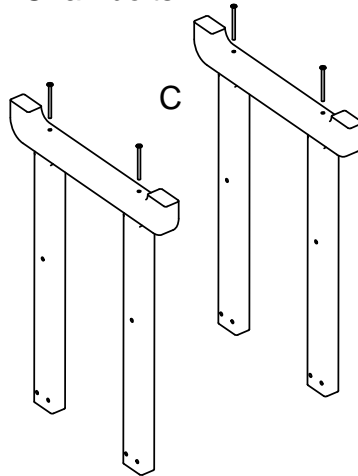
Models:

TXRT248, TXRCT248  
TXRRT248, TXRBT248

- (1) Table top
- (4) Leg
- (2) Foot
- (2) Brace
- (1) Hardware pack

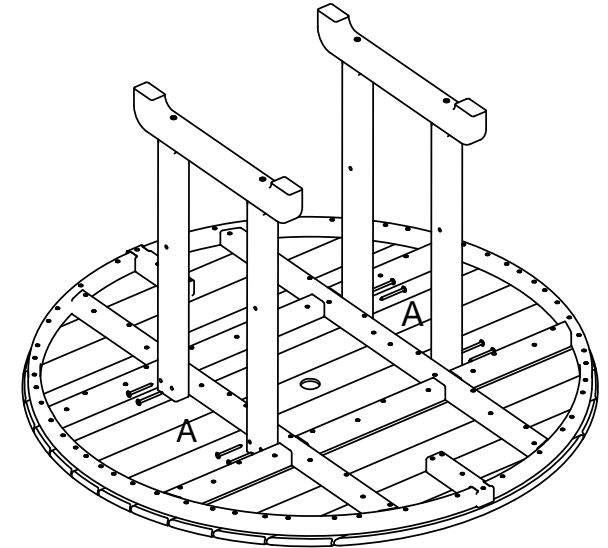
### Step 1

Attach feet to legs using  
(4) 3 1/4" Chair bolts.

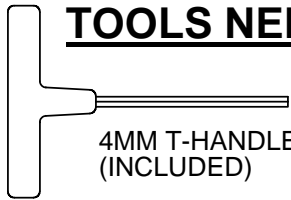


### Step 2

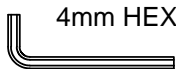
Lay the table top on a flat surface.  
Attach the leg assemblies to the table top using  
(8) 2 1/2" screws.



## TOOLS NEEDED



4MM T-HANDLE HEX KEY  
(INCLUDED)

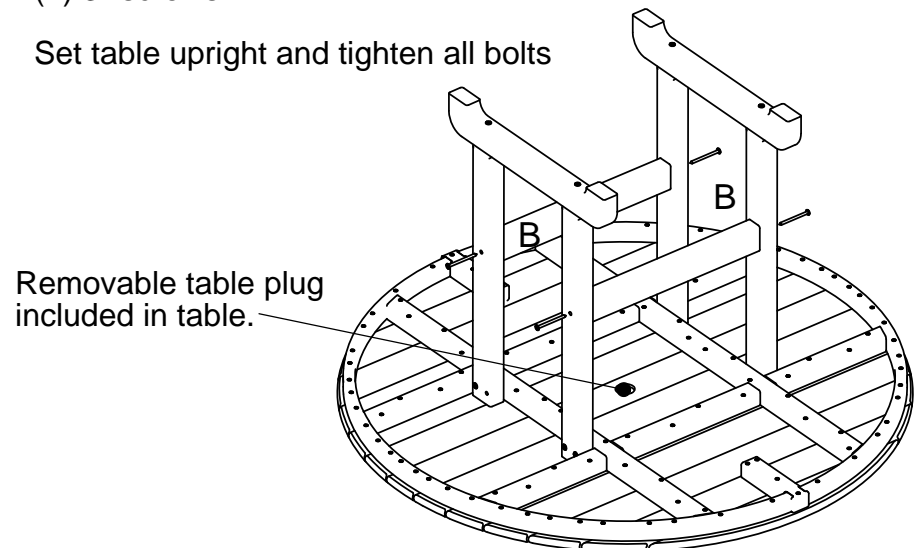


4mm HEX KEY: INCLUDED

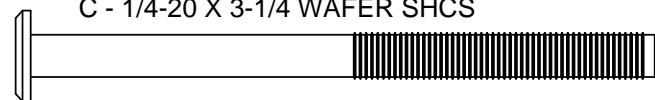
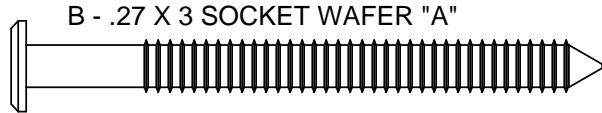
### Step 3

Attach leg braces using  
(4) 3" screws.

Set table upright and tighten all bolts



Qty.	Description
8	A - .27 X 2 1/2 SOCKET WAFER "A"
4	B - .27 X 3 SOCKET WAFER "A"
4	C - 1/4-20 X 3-1/4 WAFER SHCS



ALL HARDWARE IS COATED STAINLESS STEEL

6/2/2011