

Trex® Outdoor Furniture™

Assembly Instructions

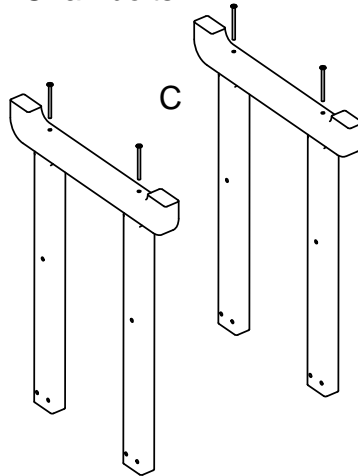
Models:

TXRT248, TXRCT248
TXRRT248, TXRBT248

- (1) Table top
- (4) Leg
- (2) Foot
- (2) Brace
- (1) Hardware pack

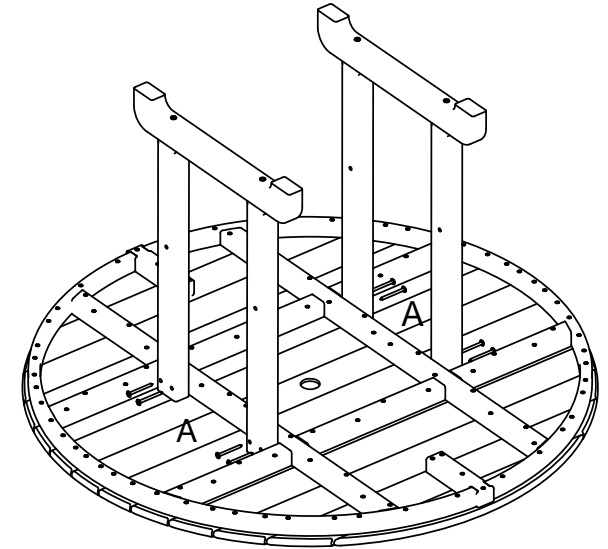
Step 1

Attach feet to legs using
(4) 3 1/4" Chair bolts.

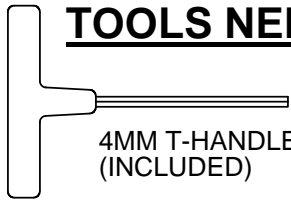


Step 2

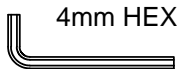
Lay the table top on a flat surface.
Attach the leg assemblies to the table top using
(8) 2 1/2" screws.



TOOLS NEEDED



4MM T-HANDLE HEX KEY
(INCLUDED)

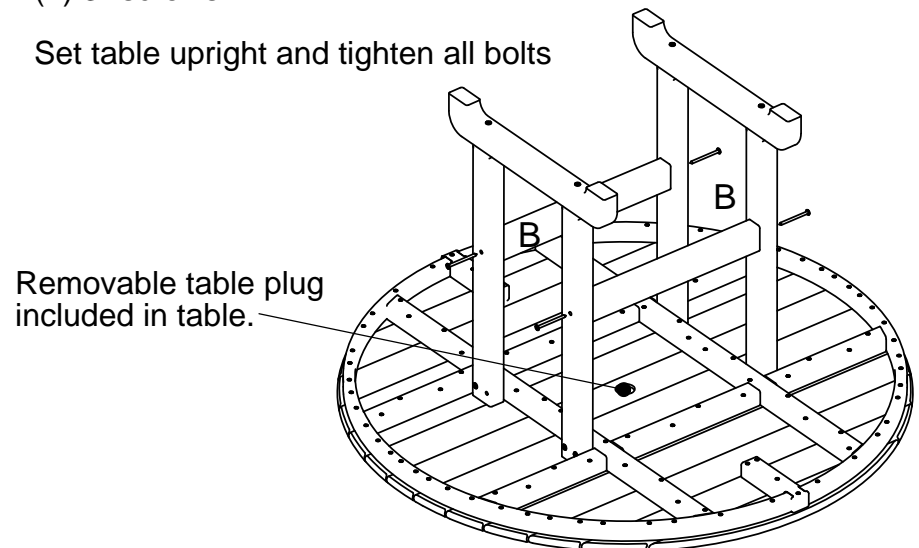


4mm HEX KEY: INCLUDED

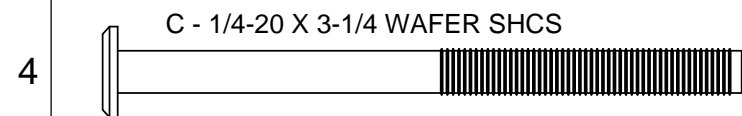
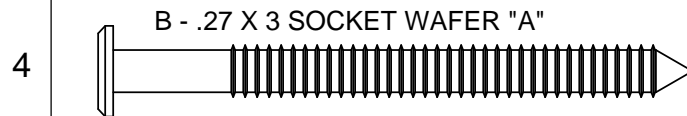
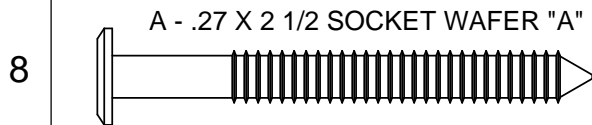
Step 3

Attach leg braces using
(4) 3" screws.

Set table upright and tighten all bolts



Qty. Description



ALL HARDWARE IS COATED STAINLESS STEEL

6/2/2011