

Trex® Outdoor Furniture™

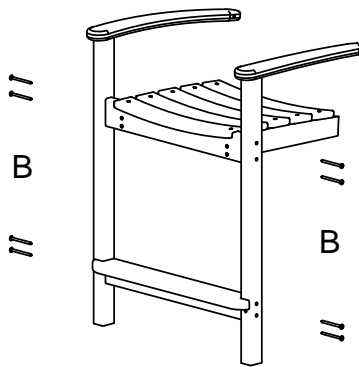
Assembly Instructions Model: TXD201

This Item can be found on
www.OutdoorFurniturePlus.com

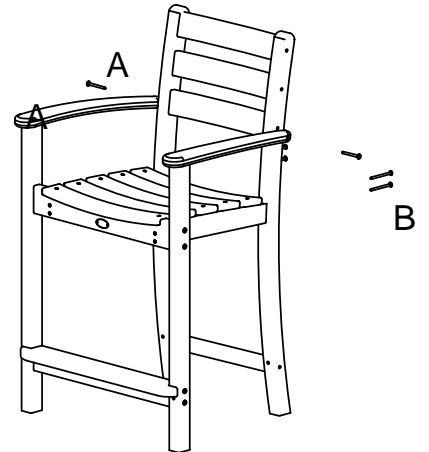
Call 877-595-8543 to order.

- (1) Seat assembly
- (2) Front leg with arm (LH/RH)
- (1) Back leg assembly
- (1) Foot rest
- (2) Brace (LH/RH)
- (1) Hardware pack

Step 1
Attach legs to the seat assembly
and foot rest with (8) 3" screws

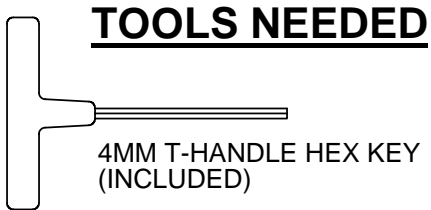
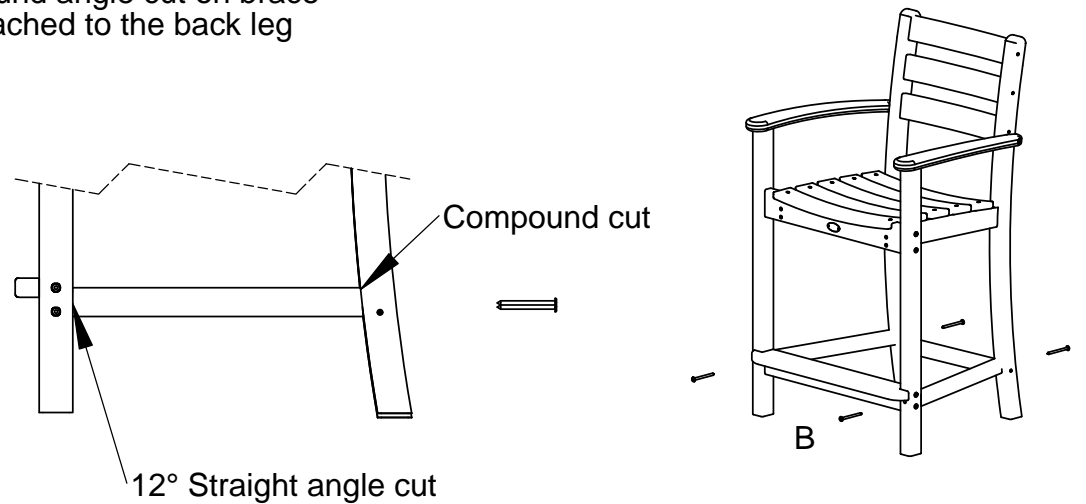


Step 2
Attach arms to back leg assembly
using (2) 2½" screws
Attach back leg assembly to seat assembly
using (4) 3" screws



Step 3
Attach braces between the front and back
legs with the remaining (4) 3" screws.

Note: Compound angle cut on brace
should be attached to the back leg



Qty.	Description
2	A - .27 X 2 1/2 SOCKET WAFER "A"
16	B - .27 X 3 SOCKET WAFER "A"

ALL HARDWARE IS COATED STAINLESS STEEL

9/28/2012