

Trex® Outdoor Furniture™

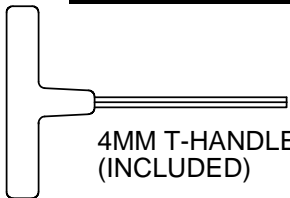
Assembly Instructions Model: TXT1836

This Item can be found on
www.OutdoorFurniturePlus.com

Call 877-595-8543 to order.

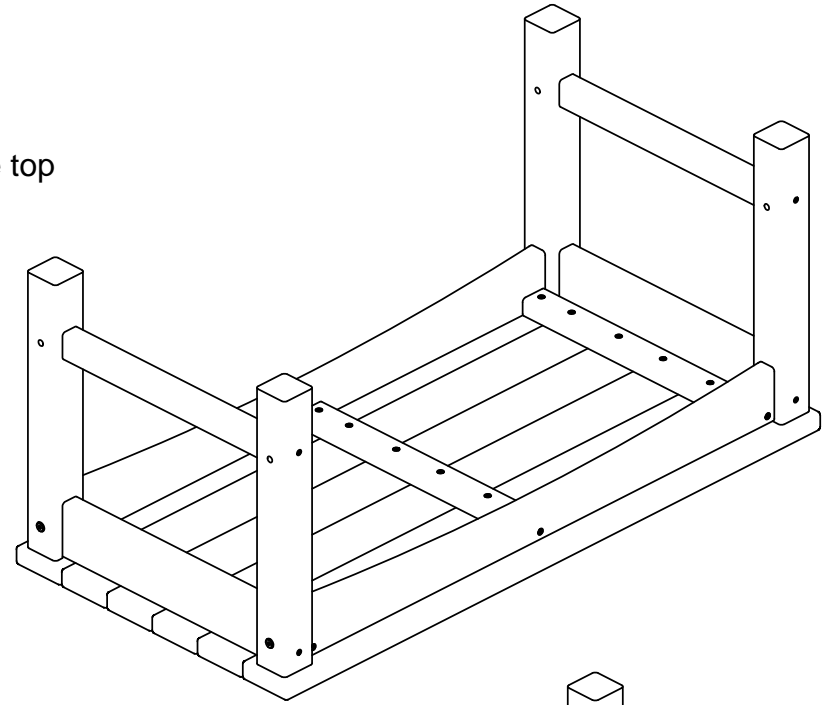
- (2) Sideframes
- (2) Braces
- (1) Table top
- (1) Hardware pack

TOOLS NEEDED

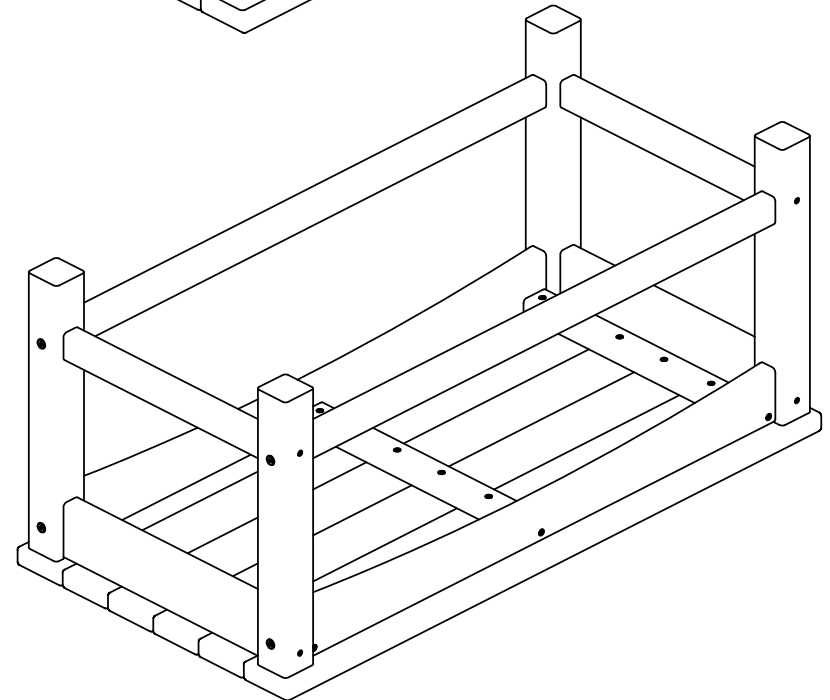


4MM T-HANDLE HEX KEY
(INCLUDED)

Step 1
Lay table top face down.
Attach sideframes to table top
using (4) 3" chair screws



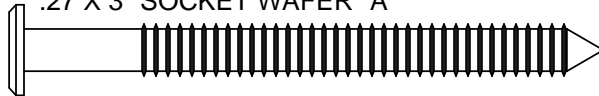
Step 2
Attach braces to sideframes
using (4) 3" chair screws



Qty.	Description
------	-------------

8

.27 X 3" SOCKET WAFER "A"



ALL HARDWARE IS COATED STAINLESS STEEL

10/2/2012