

Trex® Outdoor Furniture™

Assembly Instructions

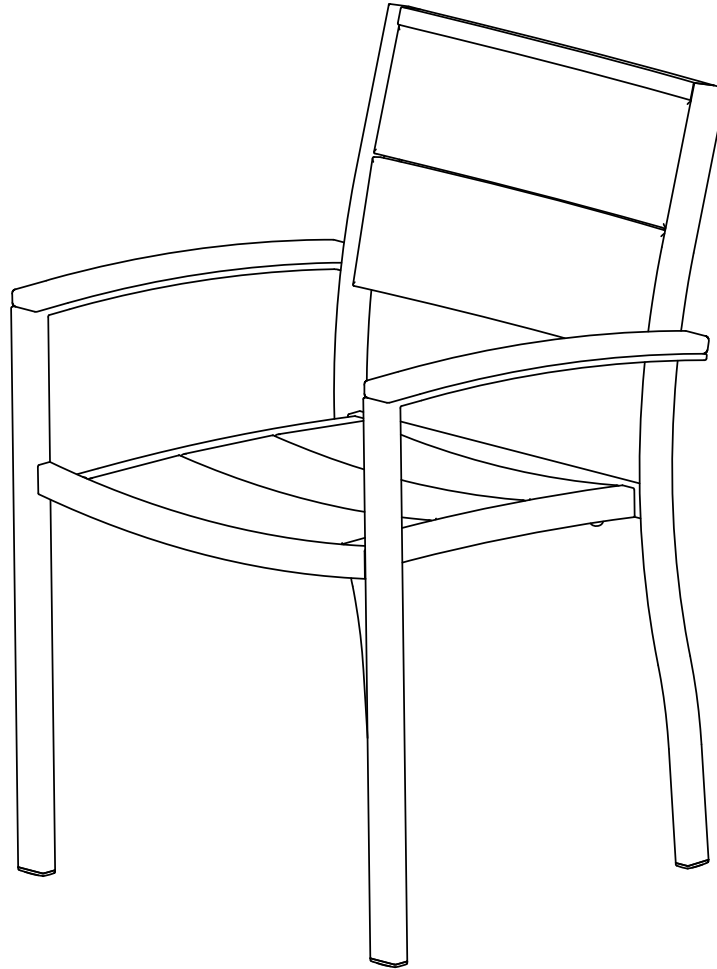
Model: A210

This Item can be found on
www.OutdoorFurniturePlus.com

Call 877-595-8543 to order.

Features

1. No assembly required



Trex® Outdoor Furniture™

Assembly Instructions:

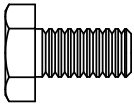
Model: 8110, 8111, 8112

- (1) Table top with slats
- (2) Leg Frames
- (1) Hardware Pack

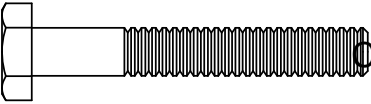
TOOLS NEEDED

7/16 Wrench

Qty.	Description
------	-------------

12  A - 1/4-20 X 1/2 HEX CAP SCREW

14  B - 1/4" SPRING LOCK WASHER

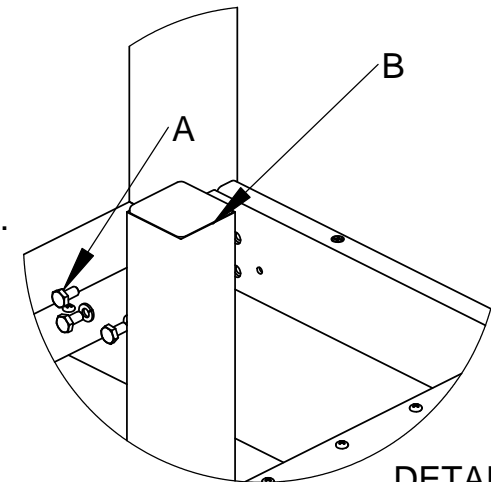
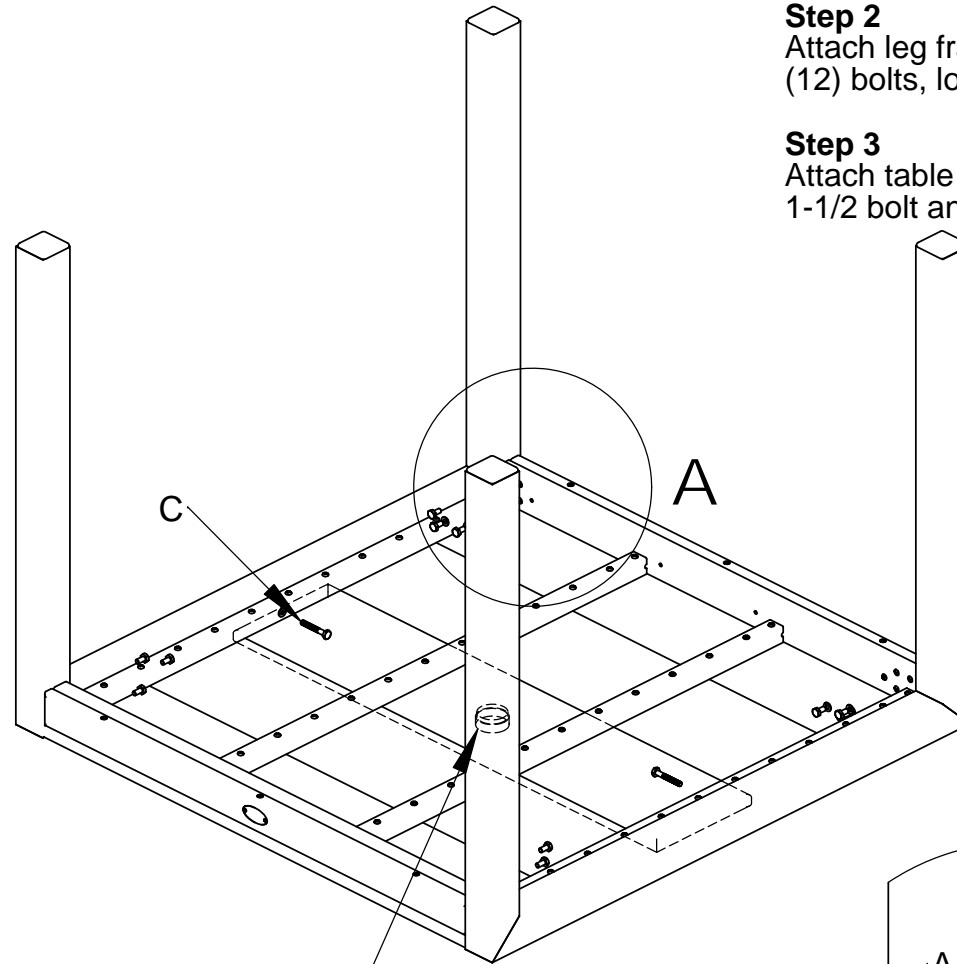
2  C - 1/4-20 X 1-3/4 HEX CAP SCREW

ALL HARDWARE IS STAINLESS STEEL

Step 1
Lay table top on flat surface

Step 2
Attach leg frames to the table top using (12) bolts, lock washer, and flat washers

Step 3
Attach table frame to side leg with 1-1/2 bolt and washer



DETAIL A
SCALE 1 : 5