

Assembly Instructions Model: TX3810

Step 1
 Lay Bench top on flat surface

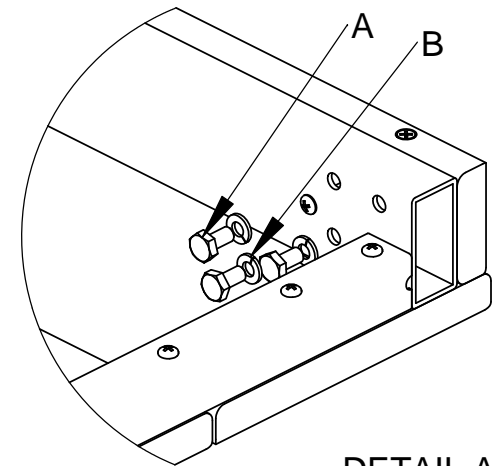
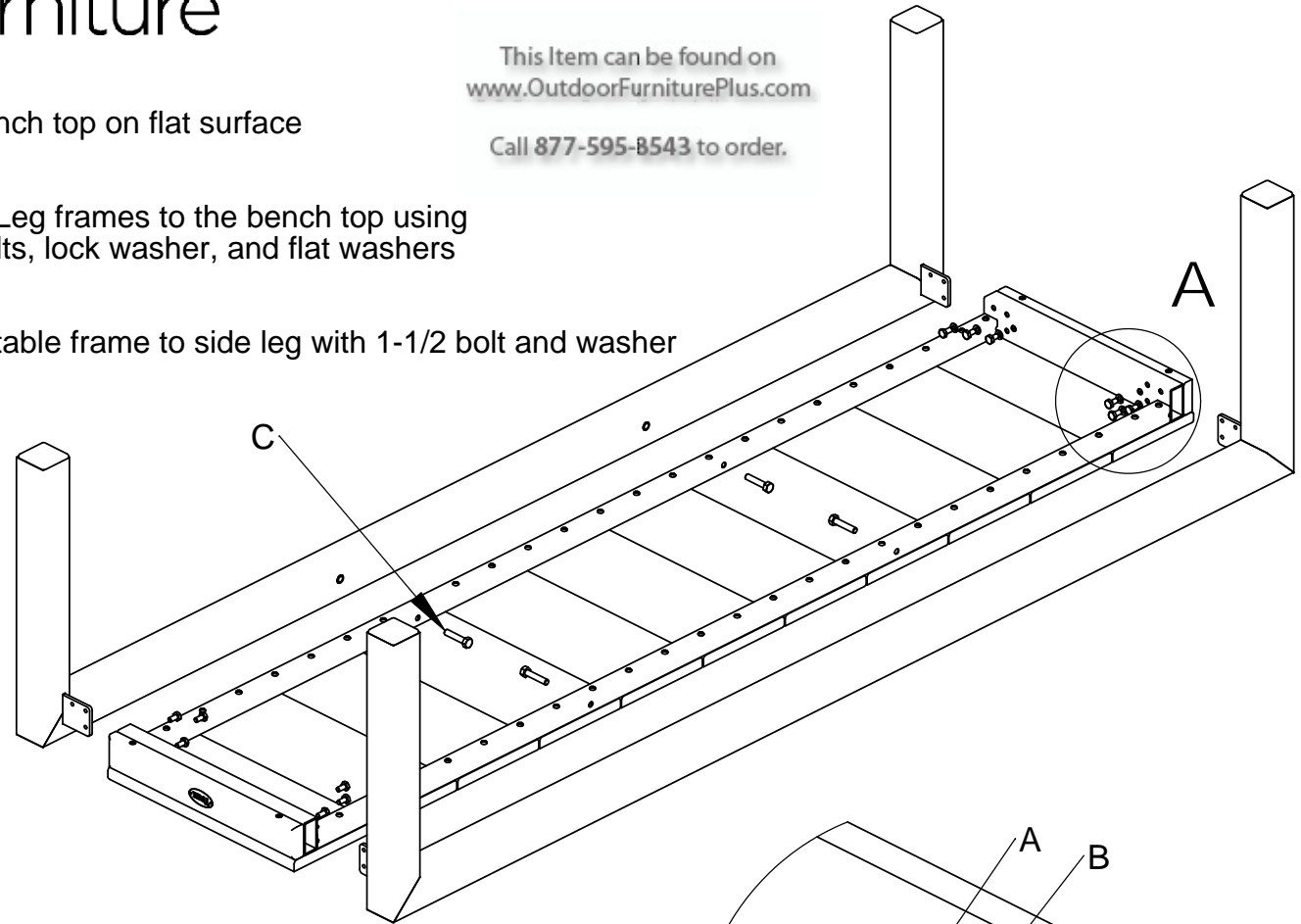
Step 2
 Attach Leg frames to the bench top using
 (12) bolts, lock washer, and flat washers

Step 3
 Attach table frame to side leg with 1-1/2 bolt and washer

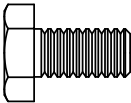
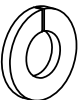
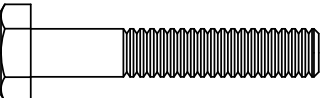
- __ (1) Bench top with slats
- __ (2) Leg Frames
- __ (1) Hardware Pack

TOOLS NEEDED

7/16 Wrench



Qty.	Description
------	-------------

12	 A - 1/4-20 X 1/2 HEX CAP SCREW
16	 B - 1/4" SPRING LOCK WASHER
4	 C - 1/4-20 X 1-1/2 HEX CAP SCREW

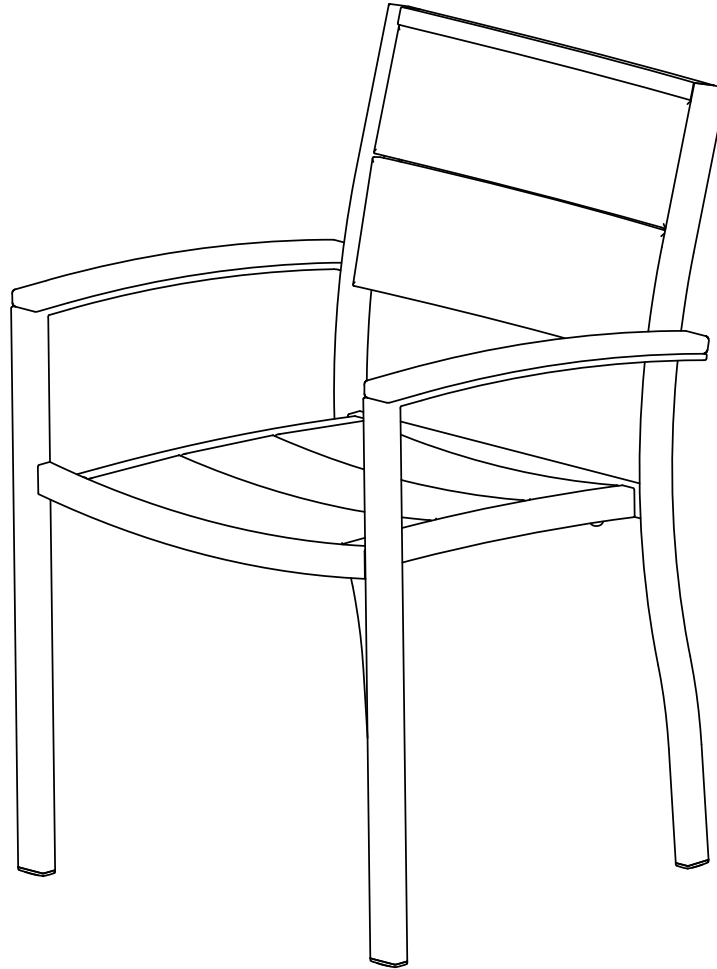
Trex® Outdoor Furniture™

Assembly Instructions

Model: A210

Features

1. No assembly required



Trex® Outdoor Furniture™

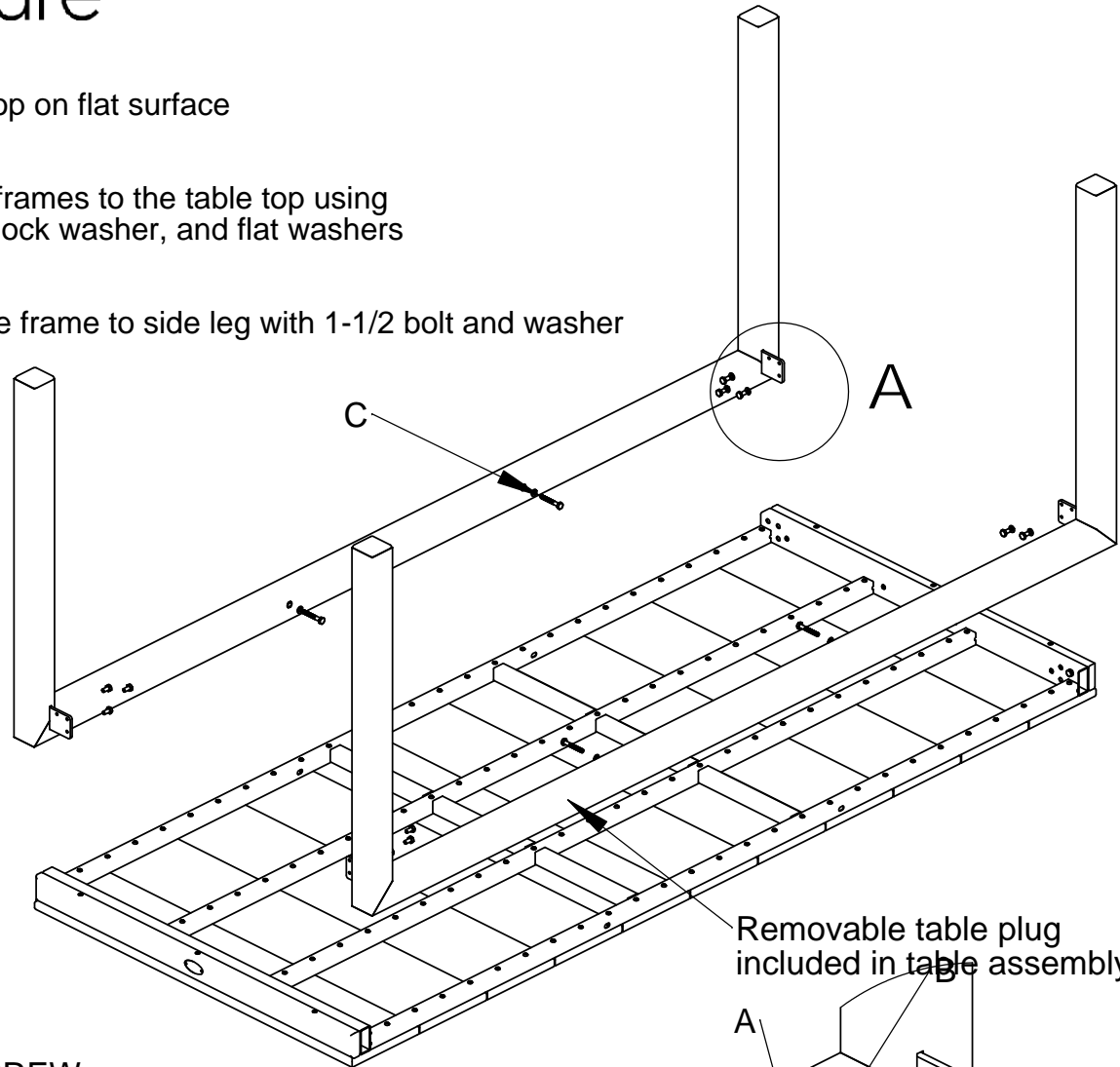
Assembly Instructions Model: 8310, 8311, 8312

- ___ (1) Table top with slats
- ___ (2) Leg Frames
- ___ (1) Hardware Pack

Step 1
Lay table top on flat surface

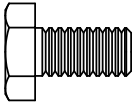
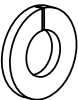
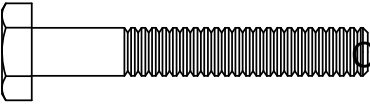
Step 2
Attach leg frames to the table top using
(12) bolts, lock washer, and flat washers

Step 3
Attach table frame to side leg with 1-1/2 bolt and washer

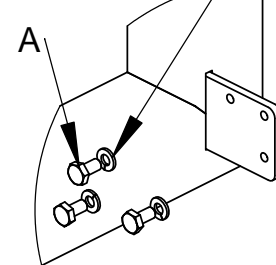


TOOLS NEEDED

7/16 Wrench

Qty.	Description
12	 A - 1/4-20 X 1/2 HEX CAP SCREW
16	 B - 1/4" SPRING LOCK WASHER
4	 C - 1/4-20 X 1-3/4 HEX CAP SCREW

Removable table plug
included in table assembly.



DETAIL A
SCALE 1 : 4

ALL HARDWARE IS STAINLESS STEEL