

Trex® Outdoor Furniture™

Assembly Instructions

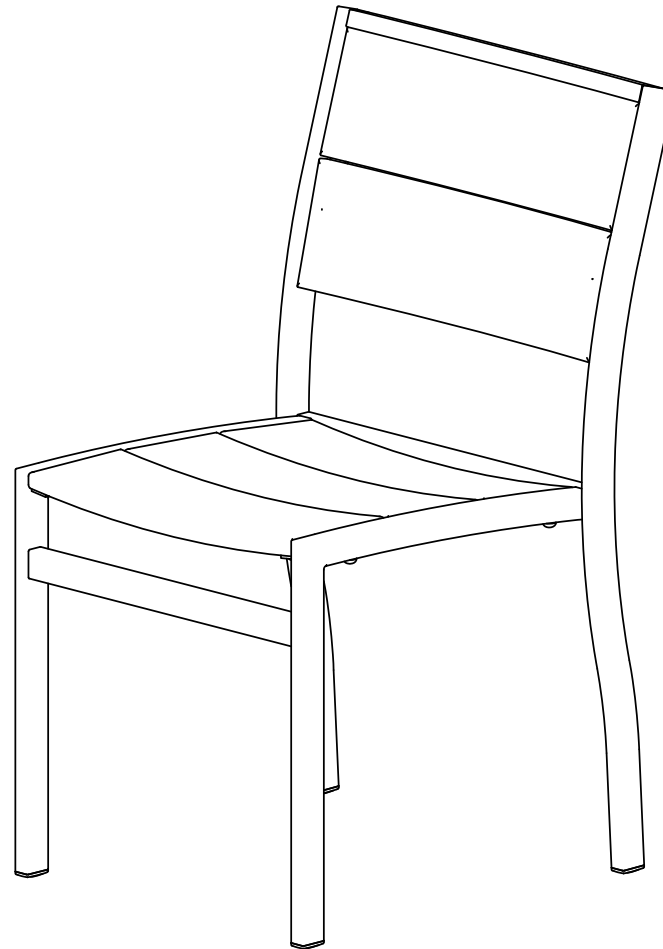
Model: A110

This Item can be found on
www.OutdoorFurniturePlus.com

Call 877-595-8543 to order.

Features

1. No assembly required



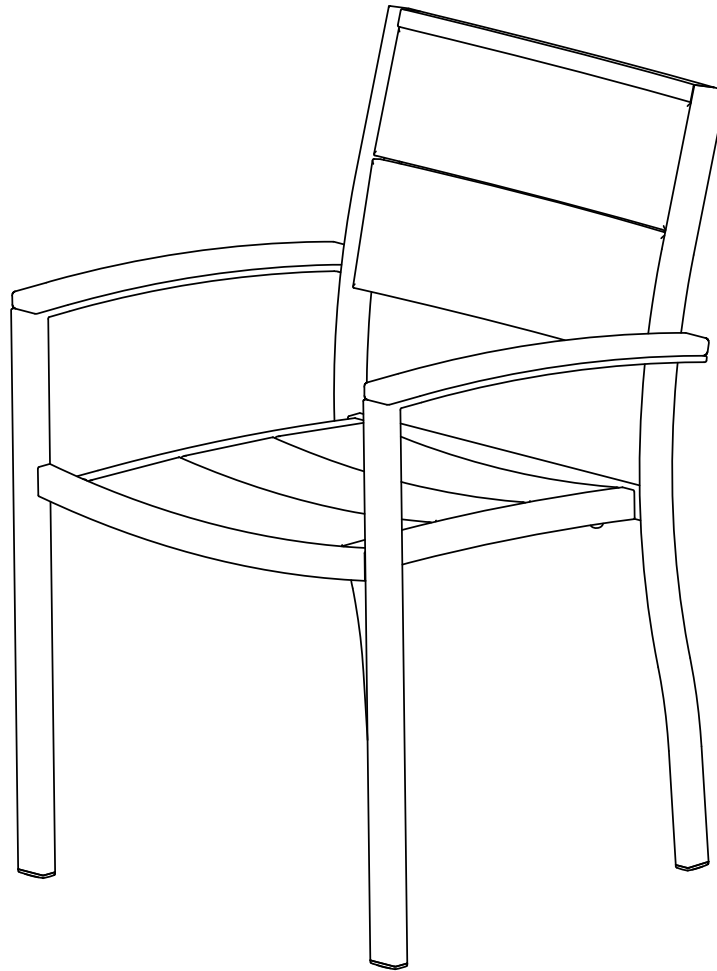
Trex® Outdoor Furniture™

Assembly Instructions

Model: A210

Features

1. No assembly required



Trex® Outdoor Furniture™

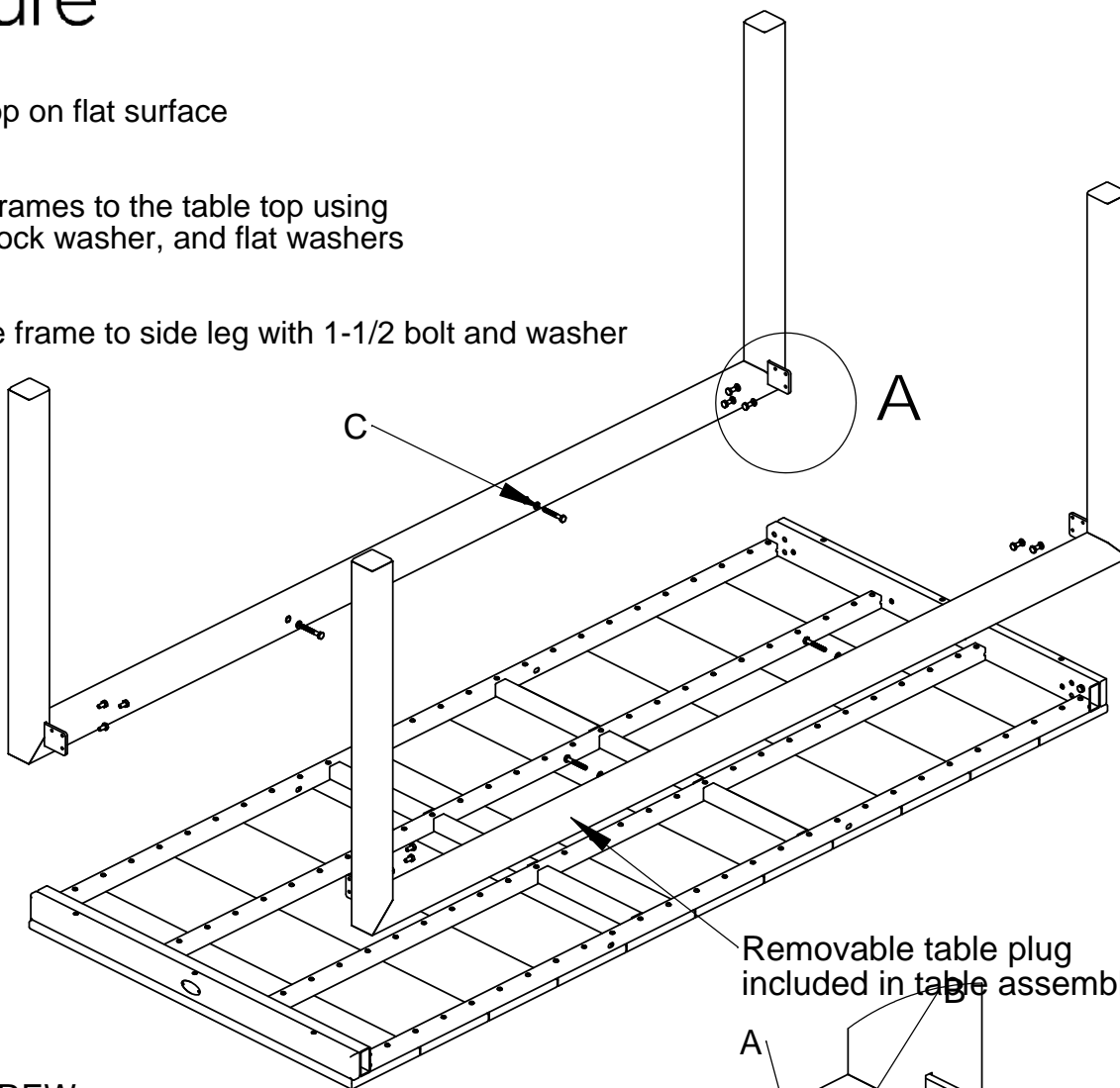
Assembly Instructions Model: 8310, 8311, 8312

- (1) Table top with slats
- (2) Leg Frames
- (1) Hardware Pack

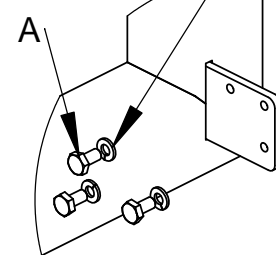
Step 1
Lay table top on flat surface

Step 2
Attach leg frames to the table top using
(12) bolts, lock washer, and flat washers

Step 3
Attach table frame to side leg with 1-1/2 bolt and washer

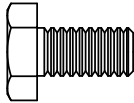
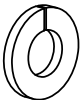
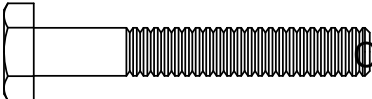


Removable table plug
included in table assembly.



TOOLS NEEDED

7/16 Wrench

Qty.	Description
12	 A - 1/4-20 X 1/2 HEX CAP SCREW
16	 B - 1/4" SPRING LOCK WASHER
4	 C - 1/4-20 X 1-3/4 HEX CAP SCREW

DETAIL A
SCALE 1 : 4

ALL HARDWARE IS STAINLESS STEEL