



Black

White

## 29R

### ADA SERIES

#### FEATURES

##### PERFORMANCE

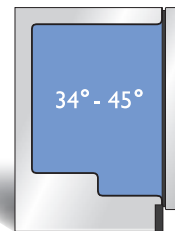
- 3.3 cubic feet overall capacity maximizes storage
- Mechanical control makes setting and adjusting the temperature of the passive cooling system easy
- Temperature setting from 34 to 45° F provides flexibility for preserving a wide variety food and beverage items
- ENERGY STAR® / CEE Tier 1 rated
- UL residential listing
- Automatic defrost

##### INTERIOR / EXTERIOR

- 28-1/2" height meets ADA height requirement yet maximizes allowable space
- Three tempered glass shelves with bullnose edge to maximize storage potential
- Optional door lock
- Three door bins allow for flexibility to meet varying food and beverage storage needs
- Black and white models are field reversible
- Vinyl clad textured cabinet is more resistant to scratching, peeling and flaking

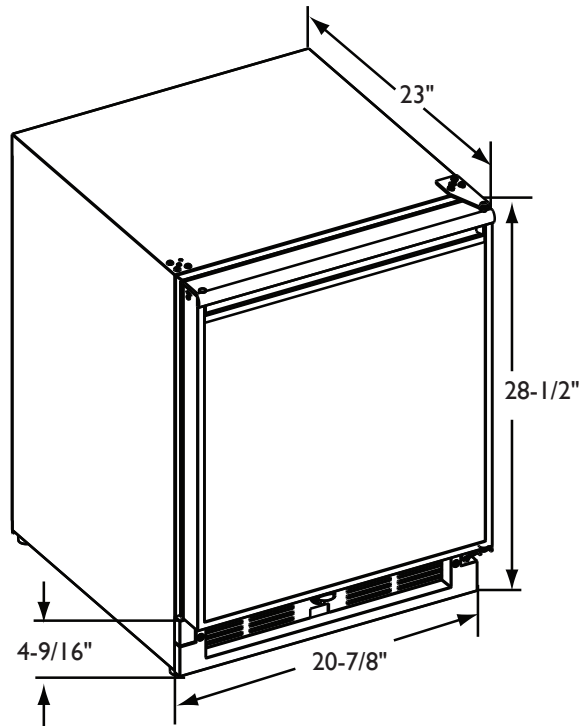
##### INTEGRATION

- Unit can be built-in or freestanding providing a custom aesthetic
- Allow 1/4" width overall for proper installation (see backside for details)
- Will accept a 1/4" insert panel to match with surrounding decor
- No additional clearance around sides, top or rear of unit is needed for ventilation
- Do not obstruct front grille air flow

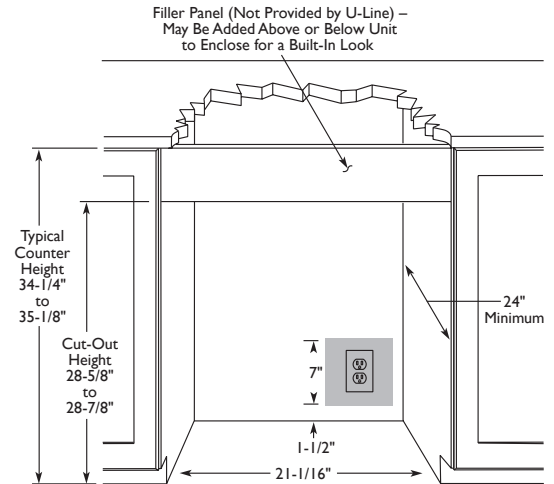


Single Zone Passive Cooling System featured in 29R.





29RB Black Model and 29RWH White Model



Rough opening and electrical location dimensions

## DIMENSIONS AND SPECIFICATIONS

## OVERALL DIMENSIONS

Height	28-1/2" (72.4)
Width	20-7/8" (53)
Depth	23" (58.4)

## Shipping weight:

Black and white models	92 lbs (42 kg)
------------------------	----------------

Running amps	2.4
Maximum start-up amps	9.8
Amps pertain to voltage rating	110/115 volt, 60 Hz
ENERGY STAR® and CEE Tier I	

## Capacities:

Defrost technology	Automatic
Refrigerator volume	3.3 Cu. Ft
Must add 1/4" overall width for proper installation.	

## 29R

Black, Field reversible	ULN-29RB-00
White, Field reversible	ULN-29RWH-00
Black, Right-hand, Lock	ULN-29RB-13
Black, Left-hand, Lock	ULN-29RB-15
White, Right-hand, Lock	ULN-29RWH-13
White, Left-hand, Lock	ULN-29RWH-15

Please visit [www.u-line.com](http://www.u-line.com) for installation guide.

All specifications are subject to change without notice.