

3000 SLIM LINE SERIES RANGE HOOD

Enhance ventilation and capture the ultimate chef's experience with our latest design, the 3000 series range hood.

Experience...

REMOTE CONTROL

- Easy to operate
- Optional automatic 5 minute shut off timer

EASY CLEANING

- Dishwasher safe commercial baffle filters
- Functional design is easy to clean. Eliminates grease traps
- No unsightly screws to clean around

QUIET OPERATION

- Rubber-mounted motor & large, squirrel-cage blower reduce sound and vibration
- 3-speed motor control reduces blower and air movement sound
- Large, oversized filters reduce air movement sound

ENDURING QUALITY

- Internal motor models deliver 390 CFM (code compliant)
- Commercial grade stainless steel (#304 grade with #4 brush finish)
- Two oversized 14" x 14" stainless steel baffle filters improve performance
- Two LED lights brighten cooking area
- Performance tested for CFM

DISTINCTIVE DESIGN

- Style complements ALL kitchen designs
- Simplicity of design preferred by home owners and builders
- Electronic touch controls with blue LED back lighting, with NEW REMOTE CONTROL
- Trade-Wind® logo is discretely located on bottom of hood. Can be paired with ALL range models
- Includes telescopic stainless steel duct cover for up to 10' ceilings
- Optional telescopic stainless steel duct cover available for up to 12' ceilings

EASY INSTALLATION

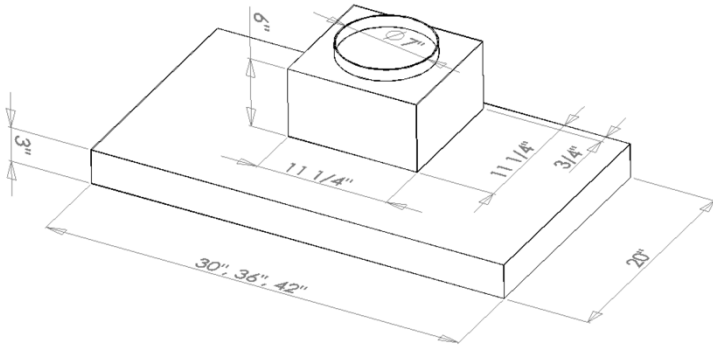
- Installs easily in standard size cabinet openings
- Exhausts out the top with a 7" round discharge
- For Installation Instructions, visit us on the web at www.t-wusa.com



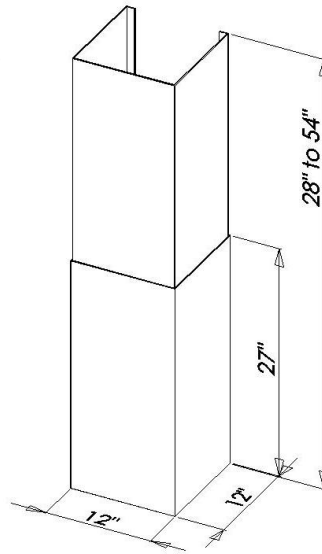
3000 SLIM LINE SERIES RANGE HOOD

*Please note that measurements provided reflect the bottom of the hood being 30" above the stove.

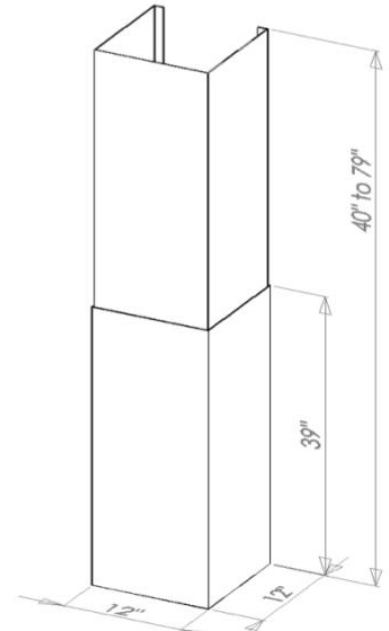
Range Hood



Duct Cover (included for ceilings from 8' to 10')



Duct Cover (sold separately for ceilings from 10' to 12')



Dimensions			
Models	Width	CFM	Duct Opening
30303RC	30"	390	7"
30363RC	36"	390	7"
30423RC	42"	390	7"

Optional Duct Covers
-DC3000-12 EXT KIT for 30303RC
30363RC
30423RC

Note: Use of duct cover is optional. Unit can be installed alone to be placed under any cabinet.

Trade-Wind Manufacturing, LLC® has a policy of continuous improvements and reserves the right to modify (at any time without notice) any or all of its products, features, designs, components and specifications. For further information on installation and wiring, see the installation instructions included with the product or visit us on the web.

For more information please contact your dealer or your Trade-Wind® representative.



800 West Grant Street, Phoenix, AZ 85007
 1-800-955-5737
 602-900-8500
 t-wusa.com



Revised 6/11/18

© Copyright 2018 Trade-Wind Manufacturing, LLC

Proverbs 22:29