



AGArangeusa.com

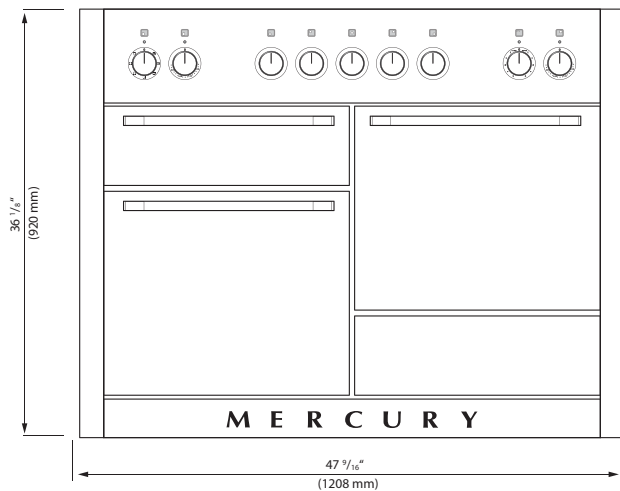
48" MERCURY INDUCTION RANGE

MODEL: **AMC48IN**



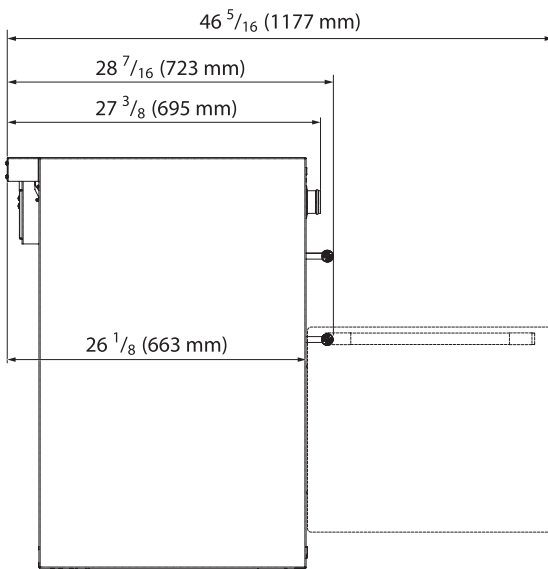
The AGA Mercury range is known for its bold design, contemporary details, zero-clearance facade and mod style cooking controls. It is truly a statement piece in any luxury kitchen.

Designed and built in the UK, this range is a technical masterpiece, the embodiment of exquisite quality and stylish, thoughtful design. Available in five sophisticated finish options, The AGA Mercury range is the perfect match for any mood or lifestyle.



SPECIFICATIONS

- Electrical: Induction Zone: 18.5 kW, (45 A)
- Oven: 2.5 kW (17A), 240V
- Electrical Rating: 240V (2 Wire + N + Grd), 60Hz, 18.5 kW
- Cooktop Ratings:
 - Front Left: 1.4 kW (Max) 2.2 kW (Boost)
 - Rear Left: 1.85 kW (Max) 3.0 kW (Boost)
 - Center: 2.3 kW (Max) 3.7 kW (Boost)
 - Front Right: 1.85 kW (Max) 3.0 kW (Boost)
 - Rear Right: 1.85 kW (Max) 3.0 kW (Boost)
- Product Dimensions: 47 9/16" W x 28 7/16" D x 36 1/8" H
- Shipping weight (lbs): 448lbs (includes range, crate & pallet)



WARRANTY

- 2 Year Warranty on parts and labor with exception of cosmetic damage

FINISHES

NOTE: Colors not in stock could have a 4-12 week lead time (check for availability)



SNOWDROP (SNW)
Primarily White



OYSTER (OYS)
Primarily Ivory



BLUEBERRY (BBY)
Primarily Bright Sky



LICORICE (BLK)
Primarily Dark Black



ASHE BLACK (MBL)
Primarily Black Gloss

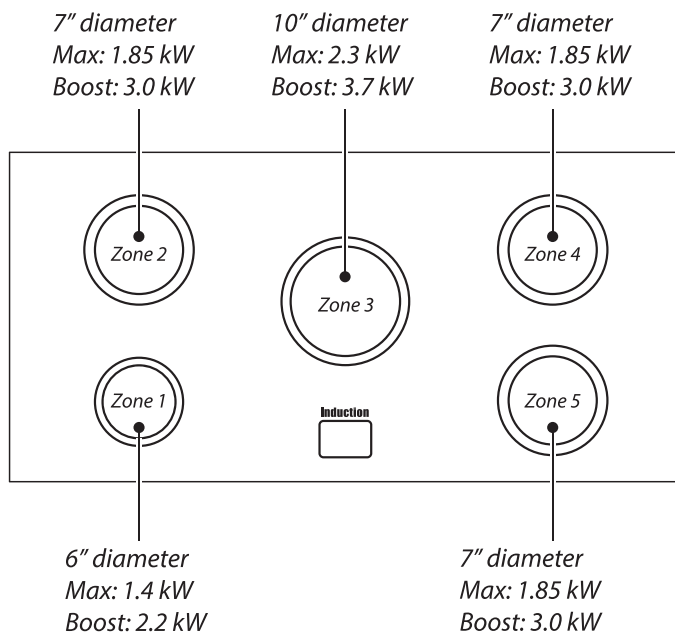


STAINLESS STEEL (SS)

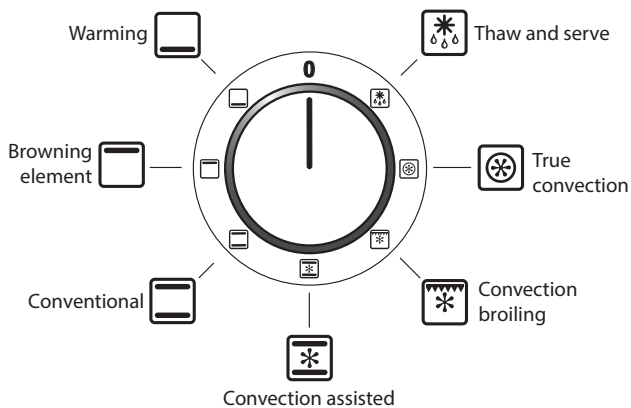


48" MERCURY INDUCTION RANGE

5 BURNER INDUCTION COOKTOP



7 MULTIFUNCTION COOKING MODES



FEATURES

- Extra-large 43"W x 21 ½"D ceramic glass surface with 5 induction burners and facia touch controls efficiently utilizes / transfers / captures 90% of energy generated compared to only 55% with that of a traditional gas burner
- Touch pad features: 3700w boost, residual heat indicator, 9 power settings, timer, pause, overheat detection and child safety lock
- 9 Hi-Fi Style Infinite Controls turn with stereo-like grace
- Powerful 8-pass, 2300 watt Broiling Oven - ready in 5 minutes
- A second extra-large true European convection oven (right oven)
- Glide-out Broiler System with adjustable heights and extendable gliding tray spacious enough to cook six 6-oz steaks at once
- One extra-large 7-Mode Multifunction Oven, Thaw-to-Serve, Convection Bake, Convection Broil, Fan Assist Bake, Conventional Bake, Top Brown or Base Heat Modes
- Over 6 cubic feet of oven space amongst 3 separate ovens maximize utility and reduce energy consumption
- The multifunction oven features 3 heavy-duty stainless steel shelves including a removable Telescopic shelf, while the second oven features 2 heavy-duty stainless steel shelves
- Spacious bottom drawer with rubber mat to protect and store your cookware
- Easy clean technology with black vitreous enamel interior