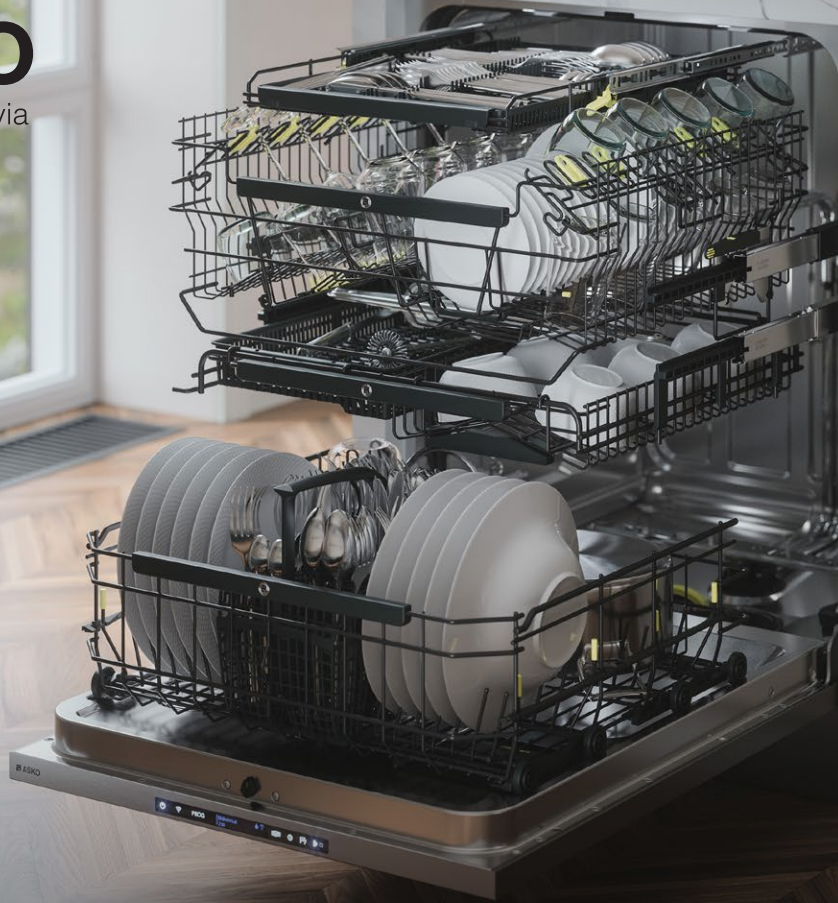


**ASKO**  
Inspired by Scandinavia



# Dishwashers

60+ Series | ConnectLife



**Turbo Combi Drying™**  
Combination of fan drying and sensor controlled auto door opening. No more hand-drying.



**Exclusive Flexiracks™ with middle basket and top tray**  
Can hold 18 place settings; world's largest capacity.



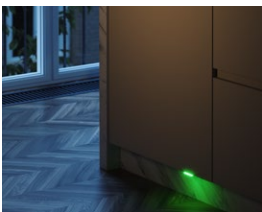
**8 Steel™**  
Eight of the most important parts are made of robust steel or high grade stainless steel. Designed to last for 20 years.



**10 Spray™ Zones**  
Including 2 adjustable PowerZones for all kinds of dishes.



**Enjoy the power of silence - 39 dB(A)**  
Brushless motors. (37 dB(A) in Night Mode).



**Status Light™**  
Indicating the progress of the program.



**4 LED Interior Lights**  
Makes loading and unloading simpler.



**Auto Dosing**  
Convenient, saves detergent and ensures perfect performance.



**UV Cleanse Mode**  
Eliminates 99.99999% of bacteria.



**Quick Pro Program**  
Great washing and drying performance in only 69 minutes.



### DBI7861XXLSSOF

Pocket Handle Soft Close  
Built-In, XXL  
Stainless Steel  
Interface: Style  
Water Softener



### DFI786XXLSOF

Panel Ready, XXL  
Stainless Steel, and  
Panel Ready  
Interface: Style  
Water Softener



(Shown: DBI7861XXLSSOF)

### Accessory door options



Tubular Handle



Pro Handle



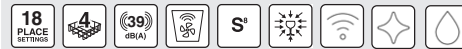
ASKO T-Bar Handle



Individual Door  
ASKO No Handle,  
Push-to-Open

# 60+ Series Dishwasher

**Durable and sturdy steel racks:** 4 level Flexiracks™, **Low noise level:** 39 dB(A), (37 dB(A) in Night mode), **Effective and fast drying:** Turbo Combi Drying™ system with sensor control, **Heavy duty design:** 8 Steel™ construction, **Superior cleaning performance:** 10 Spray™ system, Push-to-open: handle-free door opening (panel ready model), Wi-Fi connection with connected app, **Extra hygienic:** UV Cleanse mode, **Convenience:** Auto Dose function



### Features

- Exclusive Flexiracks™ with middle basket and top tray. **Can hold 18 place settings; world's largest capacity.**
- 8 Steel™ construction: non-magnetic stainless steel container, inner door, spray arms, strainers, spray pipes; nylon-coated steel racks; steel feet and outer base in steel.
- Wi-Fi connection.
- **Highest hygiene standards with UV Cleanse™ function.**
- Both circulation and drain pump have extra durable and quiet brushless motors.
- Extra wide and easy-to-read high-definition TFT display.
- Auto Dose function for gel-based detergent, lasts up to 30 cycles.
- XXL: Tallest interior tub in the market.
- XL models are ADA height compliant.

### Performance

- Super Cleaning System™: Intensive rinsing that cleans the dishes and the machine before main wash.
- **Unique 10 Spray™ system**, designed for reaching every corner of the dishwasher.
- Adjustable power zones, possible to set for cleaning pots & pans or bottles & vases. Also possible to turn off.
- Adaptive green mode - auto adjusts the wash cycle to the dirtiness level.
- Turbo Combi Drying™ - fan-assisted drying with sensor-controlled automatic door open drying, that eliminates all humidity.
- 20 years of domestic use. (Quality test: 12,500 hours, 280 cycles per year).

### Programs / Options

- 15 programs: Normal, Auto, Eco, Light, Intensive, Quick Pro, Crystal, Time, Sanitize, Plastic, Rinse and Hold, Self-Cleaning, Lower Half, Upper Half, Anti-odor.
- Washing temperatures: 124 to 158°F.
- **6 Modes:** Normal, Speed, Night, Adaptive Green mode and Heat boost and **UV Cleanse.**
- 2 options: Automatic door opening, Delayed start (1-24 h).

### Comfort / Safety

- Status Light™ indicating the progress of the program.
- 4 LED lights illuminates the inside of the dishwasher.
- The Aqua Safe™ system guarantees protection against water leaks.
- Easy installation: From front adjustable door springs and rear foot (panel ready model).

### Dimensions

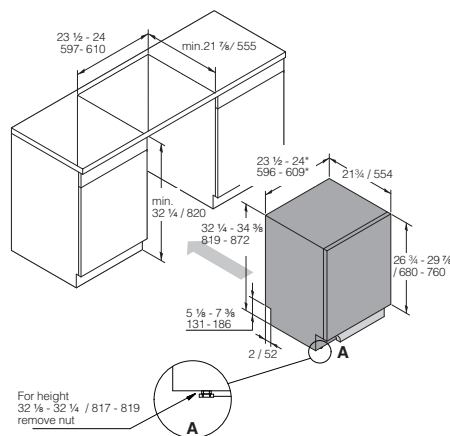
- Appliance dimensions (H / W / D): 34 5/16" / 23 7/16" / 22". 872 / 596 / 559 mm
- Necessary space dimensions (H / W / D): 34 3/8" / 23 5/8" / ≥22 1/16". 873 / 600 / ≥566 mm
- Length of the power cable / Location: 71 7/8", 1825 mm / Back right.
- Length of PEX inlet hose / Locknut dimensions\* / Location: 64", 1625 mm / 3/4", 19.5 mm / Back left
- Length of outlet hose / Outlet diameter / Location: 59 5/8", 1515 mm / 3/4", 19.5 mm / Back left
- Custom door length / Rotation point: 31 1/2" (sliding door: 33 1/16") / 27 15/16", 800 (sliding door: 840) / 710mm).

### Baskets and drawers

- **Top Tray with Telescopic ball bearing rails**
- Exclusive height adjustable upper rack
- Exclusive middle rack with removable inserts
- Exclusive lower rack
- Cutlery basket

### Installation

Measurements: inches / millimetres



\* Flexible side trims (width without side trims: 23 1/2 / 596)

