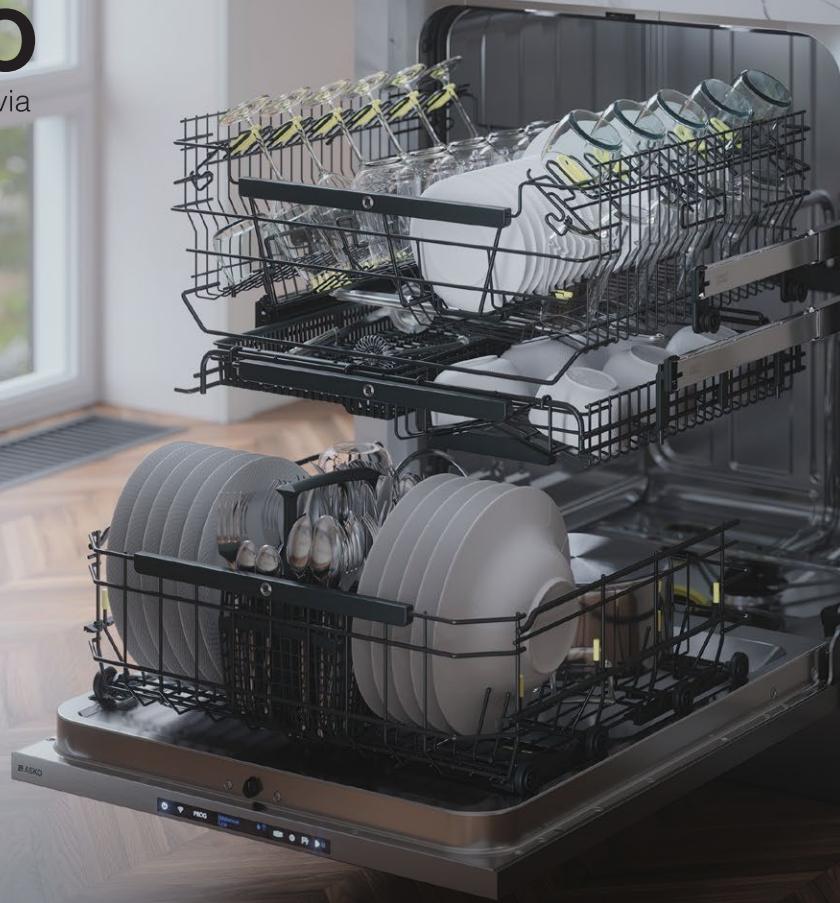


ASKO
Inspired by Scandinavia



2022 WINNER
**EUROPEAN
PRODUCT
DESIGN
AWARD**

iF DESIGN
AWARD
2022

Dishwashers

60 Series | **ConnectLife**

**Most Efficient
2023**
ENERGY STAR www.energystar.gov



Turbo Combi Drying™

Combination of fan drying and sensor controlled auto door opening. No more hand-drying.



Exclusive Flexiracks™ with middle basket

Can hold 17 place settings. XXL: tallest interior tub on the market.



8 Steel™

Eight of the most important parts are made of robust steel or high grade stainless steel. Designed to last for 20 years.



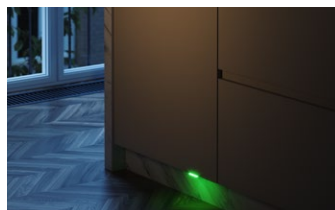
9 Spray™ Zones

Including 2 adjustable PowerZones for all kinds of dishes.



Enjoy the power of silence - 39 dB(A)

Brushless motors.
(37 dB(A) in Night Mode).



Status Light™

Indicating the progress of the program.



4 LED Interior Lights

Makes loading and unloading simpler.



Auto Dosing

Convenient, saves detergent and ensures perfect performance.



DBI776IXLSSOF

Pocket Handle Soft Close
Built-In, XXL
Stainless Steel
Interface: Style
Water Softener



DFI776XXLSOF

Panel Ready, XXL
Stainless Steel
Interface: Style
Water Softener



(Shown: DBI776IXLSSOF)

Accessory door options



Tubular Handle



Pro Handle



ASKO T-Bar Handle



Individual Door
ASKO No Handle,
Push-to-Open

60 Series Dishwasher

Durable and sturdy steel racks: 3 level Flexiracks™, **Low noise level:** 39 db(A), (37 db(A) in Night mode), **Effective and fast drying:** Turbo Combi Drying™ system with sensor control, **Heavy duty design:** 8 Steel™ construction, **Superior cleaning performance:** 9 Spray™ system, **Push-to-open:** handle-free door opening (panel ready model), Wi-Fi connection with connected app, **Convenience: Auto Dose function**



Features

- 8 Steel™ construction: non-magnetic stainless steel container, inner door, spray arms, strainers, spray pipes; nylon-coated steel racks; steel feet and outer base in steel.
- Wi-Fi connection.
- Both circulation and drain pump have extra durable and quiet brushless motors.
- Extra wide and easy-to-read high-definition TFT display.**
- Auto Dose function for gel-based detergent, lasts up to 30 cycles.**
- XXL: Tallest interior tub in the market.

Performance

- Super Cleaning System™: Intensive rinsing that cleans the dishes and the machine before main wash.
- Unique 9 Spray™ system, designed for reaching every corner of the dishwasher.
- Adjustable power zones, possible to set for cleaning pots & pans or bottles & vases. Also possible to turn off.
- Adaptive green mode - auto adjusts the wash cycle to the dirtiness level.**
- Turbo Combi Drying™ - fan-assisted drying with sensor-controlled automatic door open drying, that eliminates all humidity.
- 20 years of domestic use. (Quality test: 12,500 hours, 280 cycles per year).

Programs / Options

- 15 programs: Normal, Auto, **Eco, Light**, Intensive, Quick Pro, **Crystal**, Time, Sanitize, **Plastic**, Rinse and Hold, Self-cleaning, **Lower Half, Upper Half**, Anti-Odor.
- Washing temperatures: 124 to 158°F.
- 5 Modes:** Normal, Speed, Night, **Adaptive Green mode** and **Heat boost**.
- 2 options: Automatic door opening, Delayed start (1-24 h).

Comfort / Safety

- Status Light™ indicating the progress of the program.
- 4 LED lights illuminates the inside of the dishwasher.**
- The Aqua Safe™ system guarantees protection against water leaks.
- Easy installation: From front adjustable door springs and rear foot (panel ready model).

Dimensions

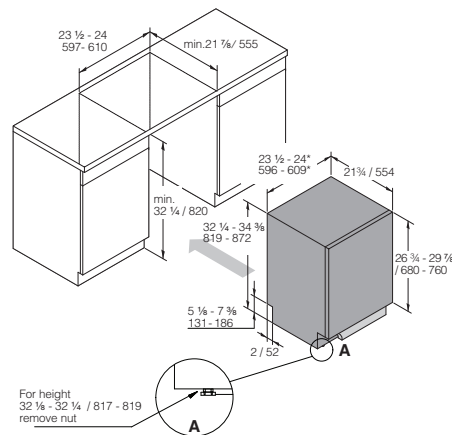
- Appliance dimensions (H / W / D): 34 5/16" / 23 7/16" / 22". 872 / 596 / 559 mm
- Necessary space dimensions (H / W / D): 34 3/8" / 23 5/8" / ≥22 1/16". 873 / 600 / ≥560 mm
- Length of the power cable / Location: 71 7/8", 1825 mm / Back right.
- Length of PEX inlet hose / Locknut dimensions* / Location: 64", 1625 mm / 3/4", 19.5 mm / Back left
- Length of outlet hose / Outlet diameter / Location: 59 5/8", 1515 mm / 3/4", 19.5 mm / Back left
- Standard door length / Rotation point: 31 1/2" (sliding door: 33 1/16") / 27 15/16", 800 (sliding door: 840) / 710mm).

Baskets and drawers

- Exclusive height adjustable upper rack
- Exclusive middle rack with removable inserts**
- Exclusive lower rack
- Cutlery basket

Installation

Measurements: inches / millimetres



* Flexible side trims (width without side trims: 23 1/4 / 596)

