

# Café™ Dishwasher Drawer

CDD420P2TS1 / CDD420P3TD1 / CDD420P4TW2

# CAFÉ



CDD420P2TS1  
Stainless Steel with  
Brushed Stainless handle



ALSO  
AVAILABLE IN



CDD420P3TD1  
Matte Black with  
Brushed Stainless  
handle



CDD420P4TW2  
Matte White with  
Brushed Bronze  
handle

## FEATURES & BENEFITS

**Double Drawer** – Experience the convenience of two drawers that you can use independently to wash everything from heirloom place settings to casserole dishes with separate cycles.

**Create a Look That Matches Your Personal Style** – With this customizable dishwasher, you can combine any of the premium finishes and hardware options for a stylish appearance that's truly unique.

**Small Load Setting** – Wash every load with a clean conscience thanks to an energy efficient dishwasher with two special settings for conserving resources. Guilt-free Small Load is ideal for partial loads, while Eco-Cycle was designed to consume less energy and water.

**Knock to Pause** – Pause the dishwasher mid-cycle with a simple knock, then press Start/Play to resume.

**Easy to Load & Unload** – Keep bending to a minimum while you load and unload the conveniently placed, ergonomically designed upper drawer.

**Accommodates Large Dish Loads** – With two removable silverware baskets and enough capacity for 14 place settings, you can wash every item in a single load, even after the largest meals.

**6 Wash Cycles** – Go beyond the normal wash and dry with six cycles, plus Fast Dry, Sanitize and Ultra Dry options.

**Water Leak Sensor** – This dishwasher features Water Leak Sensor, preventing potential overflows for greater peace of mind. A water sensor cancels the wash cycle before a flood can occur and alerts you with blinking lights and a tone.

**Fits Standard 24" Cutout** – The dishwasher dimensions allow for easy installation in a standard 24" wide cutout.

**Delay Start** – A dishwasher delay function lets you set it to start while you're working, sleeping or out of the house.

**Adjustable Racks** – Never worry about how to load the dishwasher again thanks to the loading flexibility that comes with racks that can be adjusted to accommodate any item.

**46 dBA Single Drawer & 49 dBA Double Drawer** – This quiet dishwasher keeps your kitchen peaceful whether you're using one or both of the drawers.

**Energy Star** – Save power and money with an Energy Star certified, energy efficient dishwasher.

## FEATURES

Style	Built-In Top Control
Tub and Door Liner	Gray Plastic
Tub Type	Double Drawer
Control Type	3 Touchpads Cap Touch Controls Top Controls
Dishwasher Control Features	Delay and Lock capabilities Audible End-of-Cycle Signal Non Sanitization Temp Error
Wash System	2 Completely Independent Wash Systems
Wash System Features	Automatic HotStart Automatic Temperature Control Single Pump Per Sytem (Identical Per Drawer) Water and Prime Regulator for Efficiency
Wash Arms	2 Total, 1 Per Drawer
Water Filtration System	100% Filtration
Dispenser	Rinse Aid
Number of Cycles	6
Dishwasher Cycles	China Express Normal Plus Pots Rinse
Number of Options	3
Dishwasher Options	Ultra Dry; Fast Dry; Sanitize
Rack Features	2 Long and 2 Short Articulating Plastic Utility Shelves with Stemsafe Fold Down and Adjustable Tines 2 piece Silverware Basket Ball-Tipped Tines Full Extension Slides
Racking Material	Nylon
Racking System	2 Racks with 2 Sets of Cup Shelves
Rack Color	Grigio
Number of Place Settings	Up to 14
Upper Drawer	4 Utility Shelves with StemSafe Fold Down Tines Silverware Basket with Cell Covers Upper Drawer Fits 13 Inch Plates
Lower Drawer	4 Utility Shelves with StemSafe Fold Down Tines Silverware Basket with Cell Covers Lower Drawer Fits 11 1/2 Inch Plates
Additional Protection	Active Flood Protect
Dishwasher Drying Features	Fan Assist Dry
Leveling System	4 Leveling Legs
Latch	Pull with Handle; Interior Lid Closes During Cycle
Showroom Power Mode	Yes
Exterior Style	Traditional

## ECONOMICAL/QUIET

Quiet Package	46 dBA Single/ 49 dBA Double
Motor Type	Variable Speed, BLDC
Outer Wrap	Full Steel Inclosure
Door Insulation	Yes

# Café™ Dishwasher Drawer

CDD420P2TS1 / CDD420P3TD1 / CDD420P4TW2



## WEIGHTS & DIMENSIONS

Cabinet Width	24 in
Approximate Shipping Weight	125 lb
Net Weight	120 lb
Overall Height	34 in
Height w/ Legs Retracted - Minimum Height	34 in
Height w/Legs Extended - Maximum Height	36-3/8 in
Overall Depth	21-3/4 in
Overall Depth with Handle	25-1/8 in
Overall Width	23-9/16 in

## APPEARANCE

Color Appearance	Stainless Steel
Door Style	2 Drawer Fronts
Installation	Built-Up Floor Capable Flush Cabinet Installation Side Installation or Top Installation Included
Door Appearance	2 Drawer Fronts
Handle	Café™
Handle Color	Brushed Stainless
Handle Design	Customizable
Control Panel Color	Grey

## TECHNICAL DETAILS

Calrod Heater Watts	503
Power Connection	Power Cord - Included
Volts/Hertz/Amps	Single Drawer, 4.7 Amps Both Drawers, 9.4 Amps

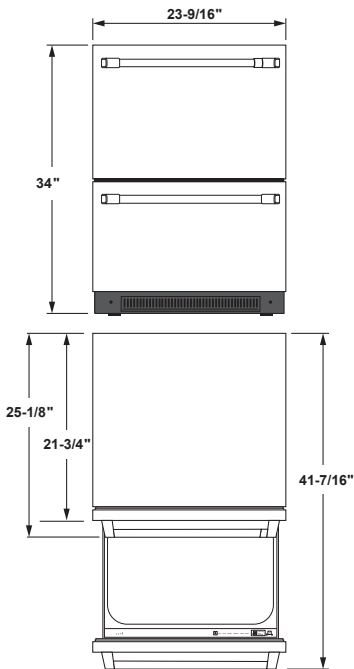
## ACCESSORIES

Optional Kit	CXQD2H2PNBZ - Brushed Bronze CXQD2H2PNSS - Brushed Stainless CXQD2H2PNBT - Brushed Black CXQD2H2PNCU - Brushed Copper
Drain Hose	WD24X30798

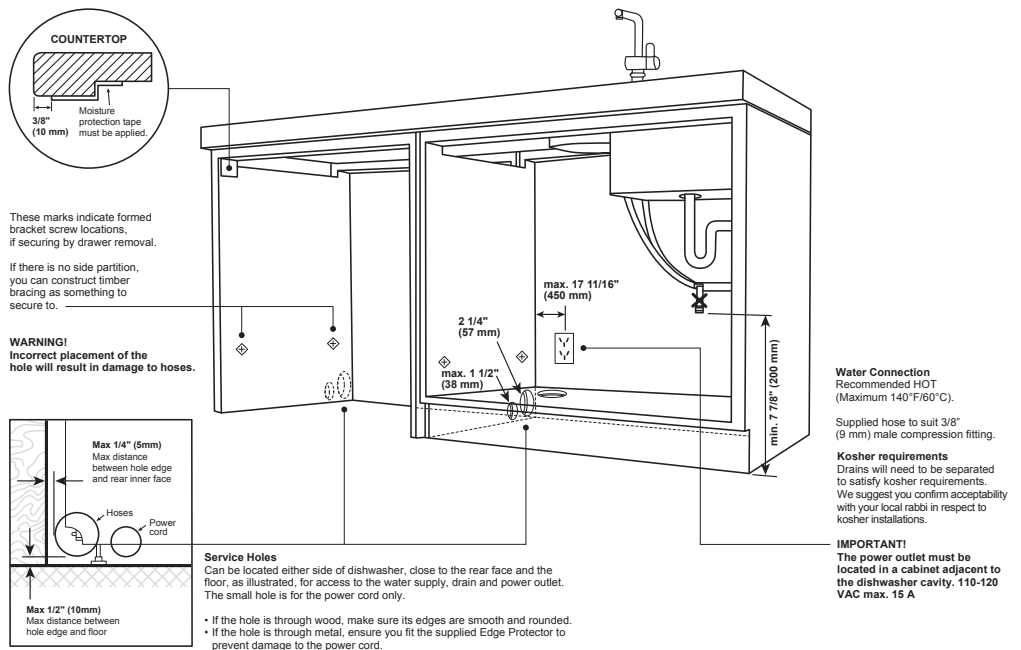
## WARRANTY

Parts warranty	Limited 1-year entire appliance
Labor warranty	Limited 1-year entire appliance
Warranty notes	See written warranty for full details

## DIMENSIONS



## INSTALLATION DIMENSIONS



## ADDITIONAL ACCESSORIES



Brushed Bronze  
CXQD2H2PNBZ



Brushed Stainless  
CXQD2H2PNSS



Brushed Black  
CXQD2H2PNBT



Brushed Copper  
CXQD2H2PNCU

For answers to your Café™ product questions, visit our website at [cafeappliances.com](http://cafeappliances.com).