

Café™ Stainless Interior Built-In Dishwasher with Hidden Controls

CDT845M5NS5

C A F É

DISTINCT BY DESIGN™



CDT845M5NS5
Platinum



FEATURES & BENEFITS

Ultra-Wash & Dry – Unload sparkling clean, table-ready dishes thanks to our 90+ cleaning jets and an Ultra-Dry system that deliver excellent results

Loading Flexibility – Load the dishes your way: Our lower wash arm provides excellent coverage for the largest of loads. The fold down tines accommodate wide or oddly shaped items and our third rack provides extra space for your silverware and kitchen utensils

Adjustable Upper Racks – You'll have room for your finest stemware and space for tall bakeware with a rack that can be moved two inches up or down, creating ultimate loading flexibility

Wash Zones – Save time and use less water when you don't have a full dish load with a fully customizable cycle that lets you wash a true half load in the upper or lower rack

Steam + Sani – Eliminate the need to pre-wash dishes at the end of every meal, thanks to a Steam + Sani feature that easily loosens lingering traces of food with an added bonus of complete sanitization

Flush Appearance – Never compromise your kitchen's look and feel with a dishwasher that effortlessly recedes into space so your personal style is always on display

APPEARANCE

Door Style	Long Door with Top Controls
Installation	Side Installation or Top Installation Included; Built-Up Floor Capable; Flush Cabinet Installation
Door Appearance	Full-length flat door

FEATURES

Style	Built-In
Tub and Door Liner	Stainless Steel
Tub Type	Tall Tub
Control Type	Top Controls; Cap Touch Controls; 12 Touchpads
Dishwasher Control Features	Cycle Countdown with Bi-Color LED Status Light on door; 1 "Clean" Light; 1 "Sanitized" Light; 1 "Low Rinse Aid" Light; Last Cycle Memory; Audible End-of-Cycle Signal
Wash System	3-Level; 800 Series
Wash System Features	Dual Pumps and Motors; Automatic Temperature Control; Drain Pump; Hard Food Disposer with removable filter; Reversing Quad Blade Lower Wash Arm; Quad Blade Middle Wash Arm; 90 Spray Jet Wash System; Deep Clean Silverware Jets; Automatic HotStart; Bottle Jets (4)
Sensor	Clean Sensor
Wash Arms	3 Wash Levels; Lower- Reversing Quad Blade; Middle - Quad Blade; Bottle Jets; Deep Clean Silverware Jets
Water Filtration System	100% Filtration with Hard Food Disposer and Removable Filter
Dispenser	Rinse Aid with Indicator and Adjustment
Number of Cycles	5
Dishwasher Cycles	Auto; Pots; Normal; China; Express
Number of Options	12
Dishwasher Options	Delay Start 1-12 Hr.; Lock Controls; Hi-Temp Wash; Presoak + Sanitize (NSF Certified); Heated Dry Off; Normal Dry; Ultra Dry; Wash Zone Upper Only; Wash Zone Lower Only; Start/Reset; Bottle Jets
Rack Features	Ball-Tipped Tines; Adjustable Upper Rack; 3-Piece Silverware Basket with Cell Covers; Full Extension Slides - Upper; 2 short articulating plastic utility shelves w/Stemsafe and chop-stick slots
Racking Material	Nylon
Racking System	Full 3rd rack
Rack Color	Black Pearl
Number of Place Settings	Up to 16
Upper Rack	Premium Height Adjustable; Ball-Tip Tines; 1/2 fixed tines, 1/2 fold down tines; Fixed tines with Bottle Jets; 1 Rack handle; 2 Stem Safe Shelves; Chop stick slots
Lower Rack	Ball-Tip Tines; 1/2 fixed tines, 1/2 fold down tines
Dishwasher Drying Features	Multi-Wattage Wash & Dry Element; Heated Dry - Ultra/On/Off; Fan Assist Dry
Cutlery Tray	One piece removable 3rd rack
Leveling System	4 Leveling Legs
Latch	Pull with Handle
WiFi Connect	Optional (Requires part no. PBX23W00Y0)
Exterior Style	Minimal

ECONOMICAL/QUIET

Quiet Package	45 dBA
Quiet Features	Quiet Water Valve; Sealed Toe Kick; Tub Collar Trim
Motor Type	Single Speed
Outer Wrap	Full-wrap Blanket; Bitumen
Door Insulation	Insulation; Mastic

WEIGHTS & DIMENSIONS

Cabinet Width	24 in
Approximate Shipping Weight	118 lb
Net Weight	105 lb
Overall Height	34 in
Height w/ Legs Retracted - Minimum Height	33-3/8 in
Height w/Legs Extended - Maximum Height	34-5/8 in
Overall Depth	24 in
Overall Width	23-3/4 in

Café™ Stainless Interior Built-In Dishwasher with Hidden Controls

CDT845M5NS5

CAFÉ

DISTINCT BY DESIGN™

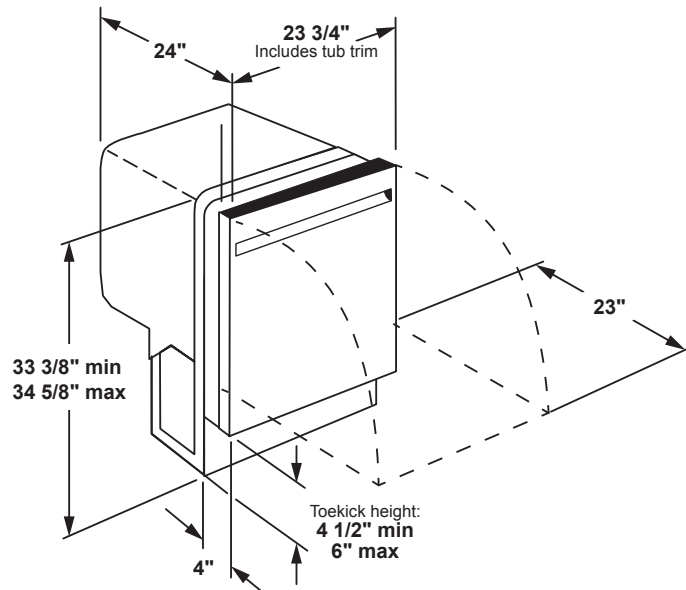
TECHNICAL DETAILS

Calrod Heater Watts	800/500
Power Connection	Optional cord kit (GPF-CORD - WX09X70910, WX09X70911)
Volts/Hertz/Amps	120v; 60Hz; 6.6A

WARRANTY

Parts warranty	Limited 1-year entire appliance
Labor warranty	Limited 1-year entire appliance
Warranty notes	See written warranty for full details

DIMENSIONS



INSTALLATION DIMENSIONS

