

CHLOE WALL RANGE HOOD



A MODERN TAKE ON COUNTRY CHIC. The Chloe complements traditional and modern kitchen designs alike and is offered in painted black OR gray. The Chloe can float on the wall giving it unique shape and charm or for the more traditional look add a chimney kit. With advanced features like LED lighting and auto shut off timer, the Chloe is THE modern designer hood.



AVAILABLE MODELS

Model #	Size / Color	Motor Class (CFM)	Sound Levels (sones)
CHLO28GR600	28" Painted Gray	600 CFM	2.8 - 7.5
CHLO28BK600	28" Painted Black	600 CFM	2.8 - 7.5

KEY FEATURES



LED Light Bar

Low consumption 3 watt/ 4000K LED bar with a dimmer to light up your cooking area using very little energy.

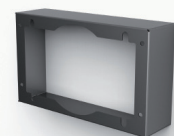
Perimeter Aspiration

Air is forced through narrow slots around the perimeter of the center panel greatly improving contaminant extraction.



Remote Control (optional)

Control all features of the hood from the convenience of a wireless remote control. (sold separately)



Rear Mounting Bracket

Extends Chloe off the wall and allows for rear venting.

SPECIFICATIONS

convertible to ductless / recirculating	yes – kit sold separately
canopy depth / height	13 3/4" d / 12 5/8" h
chimney kit accessory	yes -min 14 15/16" Max 25 9/16"
controls	4 speed push button with LED indicator
rear mounting bracket	yes
lighting	LED light bar
ducting top / rear (Vari-Duct)	yes - 6" round
perimeter aspiration	yes
grease filters	dishwasher safe mesh
10 minute intensive speed	yes
30 minute delay	yes
15 minute auto shut off	yes
ADA compliant	yes (with remote control purchase)
AC input / AC Power	320 watts / 2.7 amps

PERFORMANCE

	SPEED	1	2	3	BOOST
CFM		150	300	450	560
sones		2.8	4.3	6.0	7.5

MIN/MAX CHIMNEY HEIGHTS

	NO CHIMNEY	WITH CHIMNEY
Min @ 24" OFF	6'	7' 2 7/8"
Max @ 30" OFF	6' 5/8"	8' 8 3/16"

IMPORTANT!: Min/Max heights are for planning purposes only, see install instructions for final heights and recommendations based on gas / electric cooking

ACCESSORIES

FILTER1 – Charcoal Filter Kit

High quality charcoal filter for use when recirculating the air back into the kitchen. Filters out odor and should be replaced every 6 months.

FILTER1LL – Long Lasting Charcoal Filter Kit

New washable charcoal filter can be recharged and washed up to 8 times. For use when recirculating the air back into the kitchen. Filters out odor and can last up to 4 years.

CHIMCHGR / CHIMCHBK – Chimney Kit

Gray or black upper and lower chimney covers.

REMCTRL – Remote Control

Control all features of the hood from the convenience of a wireless remote control.

CFMRED – CFM Reducer Kit *

For use in make up air areas where an under 300 cfm hood is required. This kit reduces the ducting to 5" round and reduces the cfm to under 300.

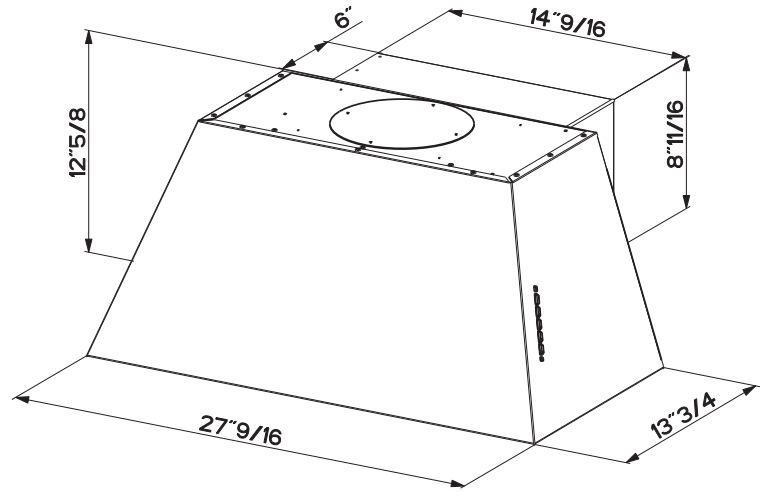
CFMRED2 – CFM Reducer Kit *

For use in make up air environments where an under 400 cfm hood is required. This kit reduces the ducting to 5" round and reduces the cfm from 600 to under 400.

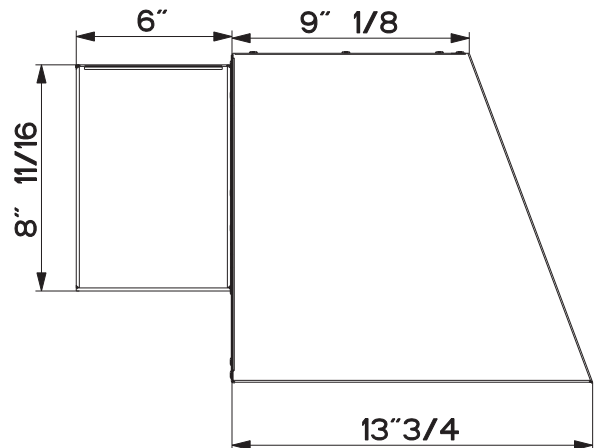
MUDAMPER6 / MUDAMPER8 – Universal Make-Up Air Damper

Satisfies make-up air requirements, this kit uses an air switch to activate the make-up air damper to open and bring fresh air into the home when the hood fan is on. It then closes tightly when the hood is off. The CFM level is not reduced with this accessory.

OVERALL DIMENSIONS



SIDEVIEW DIMENSIONS WITH WALL BRACKET



WARNING! Product specifications are subject to change without notification. Consult the installation instructions before you begin installing this range hood. * Check local make up air codes for guidelines.



Imagined in Italy