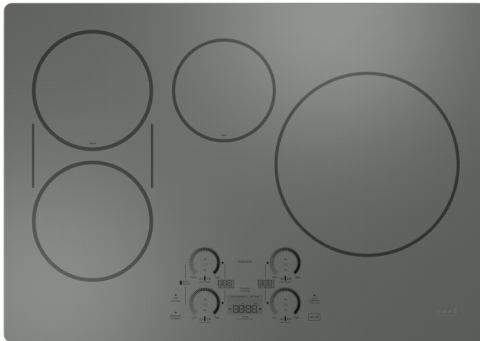


# Café™ 30" Built-In Touch Control Induction Cooktop

CHP90302TSS

# C A F É

DISTINCT BY DESIGN™



## FEATURES & BENEFITS

**Effortless Control and Responsiveness** - 19 different heat settings and controls illuminated with white LED lights use induction technology to ensure burners quickly adjust and respond.

**Easy Clean Surface with Beveled Edges** - A smooth glass surface with beveled edges, glide touch controls and induction technology that ensures spills won't burn makes this an easy clean cooktop.

**Guided Cooking** - Follow along a video-guided recipe and your burners will automatically adjust time and temperature using a smart pan. Experience the joy of a perfectly cooked meal, from scallops to scrambles. Pan sold separately.

**Rapid Boil** - Boil water faster thanks to induction elements that immediately heat your pan, not the cooktop surface.

**Precision Temperature Control** - Set your burner to an exact degree, not just high, medium or low, with Precision Temperature Control. Using a smart pan, the cooktop maintains a specific temperature – from 100 to 500 degrees. Perfect for sauces, candies and frying.

**Smart Cookware Rebate** - Smart pans and a wireless sous vide probe easily pair with this smart cooktop to ensure you get the perfect cooking results. Earn a rebate for your choice of a Hestan Cue Smart Pan.

**Safe Surface** - Stay free from worry with this induction cooktop that automatically detects your cookware, so when it's removed the burner automatically switches off and the surface stays cool.

**Most Efficient Heating** - Energy flows directly to your pan instead of the cooktop surface and surrounding areas, allowing for the most efficient heat available.

**Synchronized Elements** - Connect and control two cooktop burners as one to create a bigger cooking surface for pans such as griddles.

**Chef Connect** - Synchronize your cooktop and Café over-the-range microwave or hood so that your fan or hood and lights automatically come on when a burner is activated with Chef Connect.

**Timer** - Help coordinate meal preparation and cooking with a convenient kitchen timer.

**Built-in WiFi** - This smart cooktop features Built-In WiFi so you can monitor your burners and view power levels, precision temperature, or on/off.

**Fit Guarantee** - This cooktop will fit your existing 30" cut-out or Café will help pay for modifications up to \$100.

## APPEARANCE

Color Appearance	Flagstone Gray
Frameless	Yes

## FEATURES

Cooktop Surface	Gray Ceramic Glass with Beveled-Edge
Cooktop Burner Type	4 Induction Elements
Element - Left Front	7" 2500W
Element - Left Rear	7" 2500W
Element - Right Front	11" 3700W
Element - Right Rear	6" 1800W
Control Location	Front Center
Control Type	Glide Touch
Cooktop Control Features	Control Lock Capability Custom Settings Kitchen timer Melt Setting Multi-element timer Sync-Burners Capability
Melt Setting	Yes
Indicator Lights	4 Hot Surface Surface Element "ON" Setting Level Indicators White/Red
Timer	Yes
Optional Accessories	JXPROBE1 - Precision cooking probe JXGRIDL1 - Griddle

## WEIGHTS & DIMENSIONS

Approximate Shipping Weight	45 lb
Cabinet Width	30 in
Cooktop Size	30 in
Cutout Dimensions (Width x Depth) (In.)	28-1/2 x 19-5/8
Net Weight	39 lb
Overall Depth	20 7/8 in
Overall Height	4 5/8 in
Overall Width	29 3/4 in

## POWER/RATINGS

Amp Rating at 208V	40
Amp Rating at 240V	40
KW Rating at 208V	6.9
KW Rating at 240V	7.7

## ACCESSORIES

Smart Cookware	With rebate
Stainless Steel Clad Aluminum Griddle	JXGRIDL1
Sous Vide Probe	JXPROBE1
Filler trim kit	JXTR32B

# Café™ 30" Built-In Touch Control Induction Cooktop



DISTINCT BY DESIGN™

CHP90302TSS

## WARRANTY

Parts warranty	Limited 1-year entire appliance 90 days post-install on cooktop glass
Labor warranty	Limited 1-year entire appliance
Warranty notes	See written warranty for full details

## DIMENSIONS AND INSTALLATION

**Important:** Requires a 3" free area between the bottom of the cooktop to any combustible material, i.e., shelving. Free area not required when installing wall oven underneath cooktop. Refer to installation instructions. Requires a 15" minimum from cooktop to adjacent overhead cabinets. Units are furnished with a 48" flexible armored cable.

**Note:** 30" induction cooktops are approved for use over select Café 27" and Café 30" Single Wall Ovens and Warming Drawers. Refer to cooktop and wall oven/warming drawer installation instructions packed with product for current dimensional data. If installed with a Café Telescopic Downdraft System, consult both the cooktop and downdraft installation instructions packed with product before installing. Cooktop gas/electric supply may need to be re-routed to install downdraft. The countertop cutout requires 23-1/2" minimum flat countertop surface and 25" minimum total countertop depth. In addition, other clearances to front edge of the countertop must be considered.

**Before installing, consult installation instructions packed with product for current dimensional data.**

### KW RATING

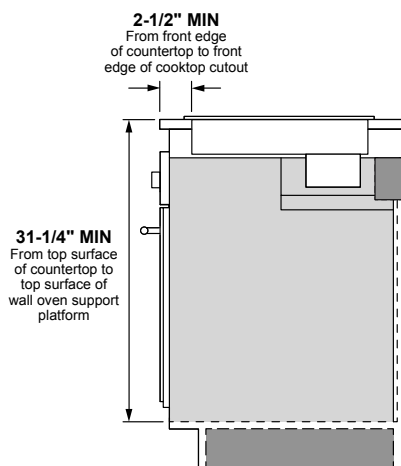
240V	7.4
208V	6.4

### AMPERAGE

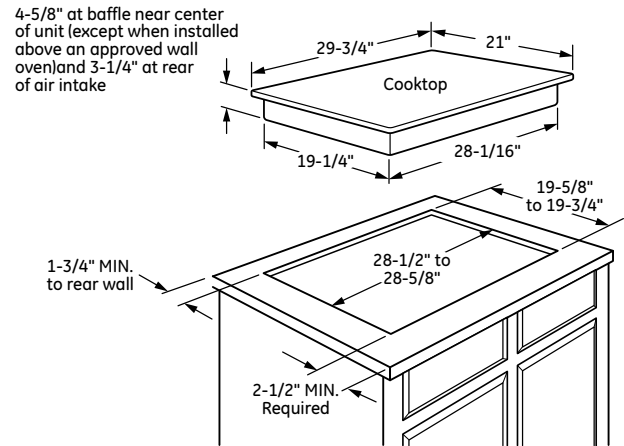
240V	40 Amps†
208V	40 Amps†

†Note: Check local codes for required breaker size.

### Installation above a wall oven



### Approximate Cooking Dimensions



To insure accuracy, it is best to make a template when cutting the opening in the counter

