

Perlick® 24" SINGLE-ZONE WINE COLUMN
Panel Ready



eco friendly
R600a Refrigerant



JOB	
AREA	
ITEM NO.	
MODEL NO.	

MODELS	DESCRIPTION
CR30R-1-2L	Refrigerator, solid overlay ready, hinged left
CR30R-1-2R	Refrigerator, solid overlay ready, hinged right

KEY PRODUCT FEATURES AND BENEFITS

- Industry-exclusive QuatroCool™ advanced preservation system provides four separate micro zones that allows independent control of temperature, humidity, and air quality to optimize freshness
- Each zone will maintain to within 1°F of set point to keep food fresh longer
- PerliQ™ touch screen control panel disappears into the background until awoken for a modern look
- Customize temperature, activate sabbath mode, or adjust lighting with the sleek PerliQ™ Control panel – Smart temperature settings for deli, meat/fish, and fresh produce
- All stainless steel and glass interior provides a hygienic, easy to clean, and beautiful preservation cabinet
- Industry exclusive tip-out bin with Smart Humidity monitors and adjusts the humidity level to keep leafy greens fresh longer
- Energy efficient and eco-friendly R600a referigerant has zero ozone depletion potential and is up to 30% more efficient than systems using R134a

Quick Features:

- Frameless spill-proof shelving contains spills with hydro-phobic barrier
- Slide-in stainless steel pans provide space for marinating, storing pre-made appetizers, or storing sous vide packets
- Carbon air filtration removes odors from air, removing odors that could be absorbed by surrounding foods
- Roll-on theatre lighting brightly illuminates cabinet, adjust brightness with 5 built in settings
- Integrated design comes ready to accept custom panel and hardware, stainless steel panels available (ordered seperately)
- 16.6 cu ft of storage capacity
- Full three year warranty plus additional nine years on sealed system

Form No. Z2599
Rev 05.23.2021



24" SINGLE-ZONE WINE COLUMN
Panel Ready

MODEL NUMBERS		CR30R-1-2L	CR30R-1-2R
MODEL DESCRIPTION		Refrigerator, solid overlay ready, hinged left	Refrigerator, solid overlay ready, hinged right
OVERALL DIMENSIONS	Width - in. (mm)	29-3/4"	29-3/4"
	Depth - in. (mm)	24"*	24"*
	Height - in. (mm)	83-11/16"	83-11/16"
OPENING DIMENSIONS	Width - in. (mm)	30"	30"
	Depth - in. (mm)	24"	24"
	Height - in. (mm)	84"	84"
DEPTH WITH DOOR OPEN		55-3/4" (less door overlay installed)	55-3/4" (less door overlay installed)
INTERNAL VOLUME Net. Cu. Ft.		16.6 cu. ft.	16.6 cu. ft.
SHIPPING WEIGHT Lbs. (kg.)		560 lbs	560 lbs
ELECTRICAL SPECIFICATIONS	Electrical Supply	115 VAC/60 Hz/1 Ph	115 VAC/60 Hz/1 Ph
	Running Load Amps	2.3 amps	2.3 amps
	Electrical Service	15 amp dedicated circuit	15 amp dedicated circuit
	Cord Plug Type	NEMA 5-15 plug, 5' /3 prong grounding-type	NEMA 5-15 plug, 5' /3 prong grounding-type
MAX BOTTLE CAPACITY		Single-Zone	94 (750 ml.)
TEMPERATURE RANGES	Refrigerant	R600a (45g)	R600a (45g)
	Main Compartment	Factory Set to 38° (Range 34°-42°F)	Factory Set to 38° (Range 34°-42°F)
	Deli Drawer	Factory Set to 33° (Range 32°-37°F)	Factory Set to 33° (Range 32°-37°F)
	Meat/Fish Drawer	Fish Factory Set to 33° (Range 32°-37°F) Meat Factory Set to 35° (Range 32°-37°F)	Fish Factory Set to 33° (Range 32°-37°F) Meat Factory Set to 35° (Range 32°-37°F)
	Tip-Out Produce Bin	Factory Set to 35° (Range 32° -37°F)	Factory Set to 35° (Range 32° -37°F)

*Less panel. With typical 3/4" overlay panel installed, depth becomes 24-3/4"

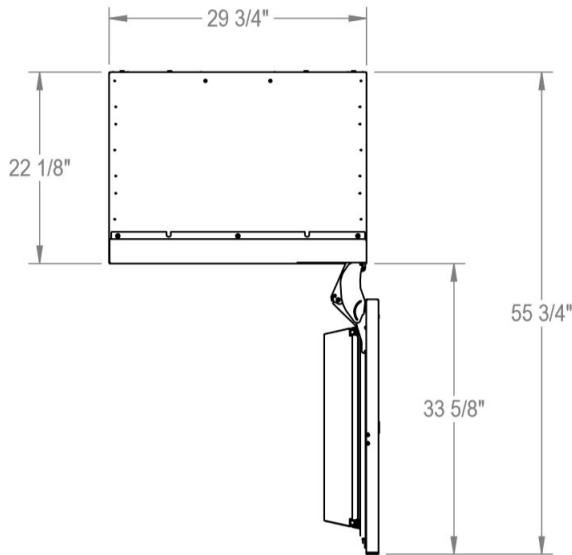
ACCESSORIES

- Dual installation kits
- Stainless steel exterior side finishing panels
- Stainless steel door panels with Perlick Pro Handle

Perlick accessories are available for purchase through an authorized Perlick dealer. For a full list of accessories and to find a dealer near you, visit perlick.com.



30" REFRIGERATOR COLUMN
Panel Ready



Max clearance required for opened door is 55-3/4" when opened to 90°* (dimensions shown are without door overlay installed.)

(Please note that door opens to 115° without hinge pin installed.)

*90° achieved when included hinge stop pin is installed. Pin must be installed prior to full integration.

PLEASE NOTE: When installing column adjacent to wall, a 2" clearance is required if door opens towards the wall.

