

Café™ ENERGY STAR® 27.6 Cu. Ft. 4- Door French-Door Refrigerator

CVE28DM5NS5

CAFÉ

DISTINCT BY DESIGN™



CVE28DM5NS5
Platinum



FEATURES & BENEFITS

Enjoy the flexibility of a **Convertible Drawer with Soft Freeze** with settings as low as 23 degrees or as high as 42 degrees, and keep items organized with sliding glass dividers

Relish the bright, uniform light of an **LED light wall** that spans the back wall of the refrigerator, illuminating the fresh food section so every item is easy to find

Effortlessly fill containers with filtered water by simply pressing the **AutoFill** button which uses sensors to dispense the perfect amount every time

Keep your produce fresher thanks to a **Humidity Control System with two distinct bins**—a sealed high-humidity bin that preserves leafy green vegetables longer and a vented bin that provides the perfect environment for fruits

Easily pull out a slim, **full-width tray** to accommodate gourmet pizzas and other frozen, uniquely shaped items

Receive alerts on your smart device whenever your refrigerator's internal temperature dips below normal, thanks to **built-in WiFi connectivity** that helps you keep foods party-platter ready

From produce to packaged goods, keep any food fresh with **TwinChill™ evaporators** that create separate climates in the fresh food and freezer sections

Spend more time filling and less time fumbling thanks to the **Integrated Dispenser Design**, which senses your proximity and automatically illuminates, so you never have to compromise on function and fashion

Make a statement with **Modern Glass**. This sleek refrigerator will speak to your sensibilities thanks to an unrivaled glass finish, paired with modern lines, attention to detail and unexpected accents

APPEARANCE

Exterior design	Contoured doors
Handle	Integrated pocket
Handle design	Café Minimal
Hidden door hinge(s)	Yes

FEATURES

Configuration	French-door & Double drawer
WiFi connect	Built-in
Connected capabilities	Amazon Alexa; The Google Assistant; IFTTT
Temperature management features	Turbo Cool setting; Multiflow air system
Temperature management system	TwinChill™ evaporators
Defrost type	Frost Guard
Control type	Electronic temperature controls
Dispenser	Large stainless steel; Cubes, crushed ice and chilled water
Dispenser features	Hands-free AutoFill; Door alarm; LED dispenser light; Water filter indicator light
Icemaker	Space saving ice
Water filtration	GE water filtration 6 month; XWF; Water filter indicator light
Filter location	Left wall
Fresh food cabinet drawers	2 total; 2 adjustable humidity drawers
Fresh food cabinet shelves	4 glass split; 1 Quick Space shelf
Fresh food door bins	6 total; 2 with gallon storage; 1 adjustable
Fresh food door features	Dairy compartment
Fresh food features	LED light wall; Deli pan
Freezer door bins	3 (2 adjustable tilt-out)
Freezer storage baskets	2 full-width
Freezer features	Interior lighting - LED; Turbo Freeze; Freezer drawer with full-extension slides
Exterior style	Free-standing
Leveling system	2 point front adjustable
Performance features	Easily removable door gaskets; Sabbath Mode capable
Center drawer features	Convertible drawer; 6 temperature settings (Soft Freeze, Meats, Beverages, Snacks, Wine, Lock); 2 Tuck Away glass dividers; Full-extension slides

CAPACITY

Total capacity (cubic feet)	27.6 cu. ft.
Fresh food capacity	15.62 cu. ft.
Freezer capacity	8.57 cu. ft.
Convertible drawer capacity	3.62 cu. ft.

WEIGHTS & DIMENSIONS

Overall depth	36-3/4 in.
Overall height	69-7/8 in.
Overall width	35-5/8 in.
Case depth without door	29 in.
Depth with door open 90°	48-3/8 in.
Depth without handle	34-1/4 in.
Height to top of hinge	69-3/4 in.
Height to top of case	68-5/8 in.
Width w/door open 90 degrees incl. handle	39-7/8 in.
Back air clearances	2 in.
Side air clearances	1/8 in.
Top air clearances	1 in.
Approximate shipping weight	440 lb.
Net weight	405 lb.

Café™ ENERGY STAR® 27.6 Cu. Ft. 4- Door French-Door Refrigerator

CVE28DM5NS5

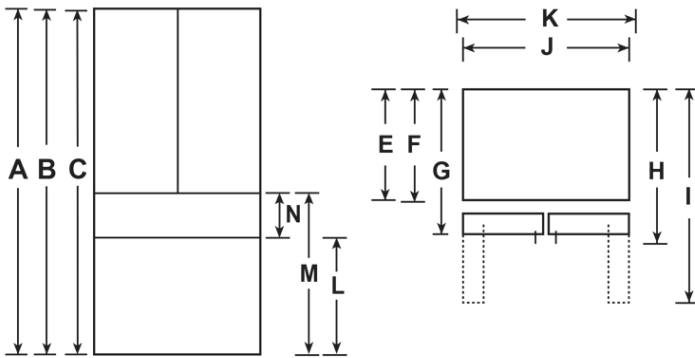
CAFÉ

DISTINCT BY DESIGN™

WARRANTY

Parts warranty	Limited 1-year entire appliance; Limited 5-year sealed refrigerating system
Labor warranty	Limited 1-year entire appliance; Limited 5-year sealed refrigerating system
Warranty notes	See written warranty for full details

DIMENSIONS

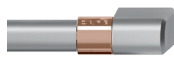


Overall Dimensions	Value
A - Overall Height to top of door (in)	69 7/8
B - Height to top of hinge cover (in)	69 3/4
C - Height to top of case (in)	68 5/8
D - Hinge Cover Depth from Case Flange (in)	6
E - Case Depth without door (in)	29
F - Case Depth without door including protrusions (in)	29 3/4
G - Case Depth without Door Handle (in)	34 1/4
H - Overall Case Depth with Door Handle (in)	36 3/4
I - Depth with FF Door open 90 deg (in)	48 3/8
J - Case Width (in)	35 5/8
K - Width with door open 90 deg including handle (in)	39 7/8
L - Top endcap of FZ drawer to floor (in)	24 1/2
M - Top endcap of Middle drawer to floor (in)	33 1/2
N - End cap to End cap height of middle drawer (in)	8 5/8
O - Top Endcap of Freezer Doors to Floor (in)	NA

ADDITIONAL ACCESSORIES



CXLB3H3PMBZ
Brushed Bronze
3 handles
(Standard on Matte White)



CXLB3H3PMSS
Brushed Stainless
3 handles
(Standard on Matte Black
and Stainless Steel)



CXLB3H3PMBT
Brushed Black
3 handles



CXLB3H3PMCU
Brushed Copper
3 handles