

Café™ 30" Commercial Hood

CVW93043PDS / CVW93044PWW

C A F É

DISTINCT BY DESIGN™



ALSO
AVAILABLE IN



CVW93043PDS
Matte Black

FEATURES & BENEFITS

600 CFM Range Hood – Get powerful ventilation that removes smoke, grease, odors and moisture from the air.

QuietBoost™ – This high performance exhaust technology keeps the canopy hood quiet as soon as you turn it on.

LED Hood Light – Get a bright view of your cooktop as you prepare your favorite meals with LED lighting in this range hood.

4-Speed Fan – Have strong ventilation at four fan speeds that you can adjust to match your cooking techniques.

Night Light Setting – Turn on the range hood night light setting for a soft glow in the kitchen at night.

Removable Filter – This removable range hood filter is easy to take out and wash, so grease and odors are always removed from the kitchen air.

Baffle Filters – The baffle filters in this range hood trap more grease and require less frequent cleaning than standard filters.

Duct Cover Optional – Without a duct cover, create the look of a floating hood and allow for multiple installation options.

APPEARANCE

Blower / Light Switch Color	Stainless
-----------------------------	-----------

FEATURES

Control Location	Hidden
Cooktop Lighting	LED
Ducting	Round or Rectangular Ducting
Exhaust Options	Dual Top/Back: 8" Round / Back 8" x 12"
Fan Speed Control	4-Speed
Filter Cleaning	Dishwasher Safe
Removable Grease Filter(s)	Yes
CFM/ Sones Rating	300/4.0 (High Speed) 100/1.0 (Working Speed)
Light Controls	Off/High/Night

TECHNICAL DETAILS

Amp Rating at 120V	3.9
--------------------	-----

WEIGHTS & DIMENSIONS

Approximate Shipping Weight	68 lb
Net Weight	54 lb
Cabinet Width	30 in
Overall Depth	21 in
Overall Height	18 in
Overall Width	30 in

Café™ 30" Commercial Hood

CVW93043PDS / CVW93044PWM

CAFÉ

DISTINCT BY DESIGN™

WARRANTY

Parts warranty	Limited 1-year entire appliance
Labor warranty	Limited 1-year entire appliance
Warranty notes	See written warranty for full details

DIMENSIONS AND INSTALLATION INFORMATION

Installation Information:

Before installing, consult Use & Care/installation instructions packed with product for current dimensional data.

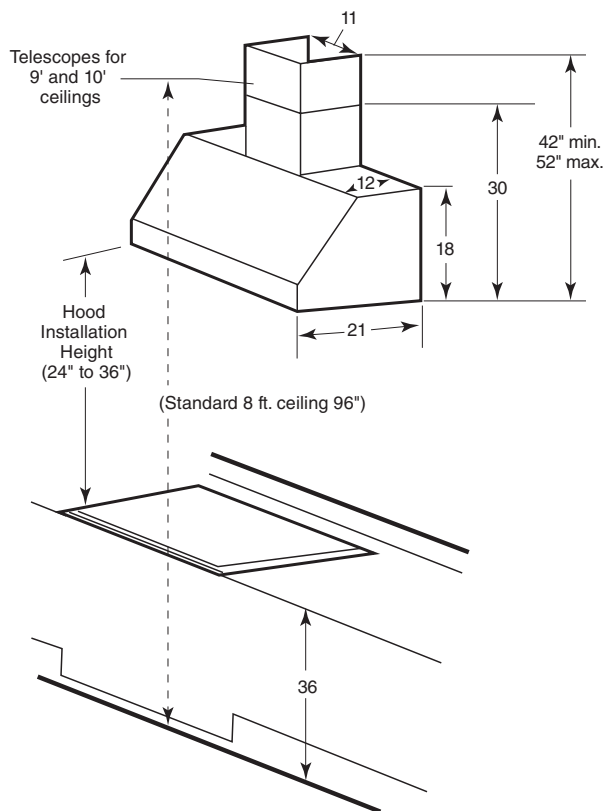
Optional Kits for 30" Commercial hoods

- CX8DC9SPDS - 8 (ft.) duct cover
- CX10DC9SPDS - 10 (ft.) duct cover
- CX12DC9SPDS - 12 (ft.) duct cover
- CX8DC9SPWM - 8 (ft.) duct cover
- CX10DC9SPWM - 10 (ft.) duct cover
- CX12DC9SPWM - 12 (ft.) duct cover

AMP RATING

120V	3.9
------	-----

Installed above a cooktop
(shown with optional chimney kit)



Installed above a range
(shown with optional chimney kit)

