

Incognito Island  
Ventilation Hood

DA 6596 D



# Incognito Island Ventilation Hood DA 6596 D



## FEATURES

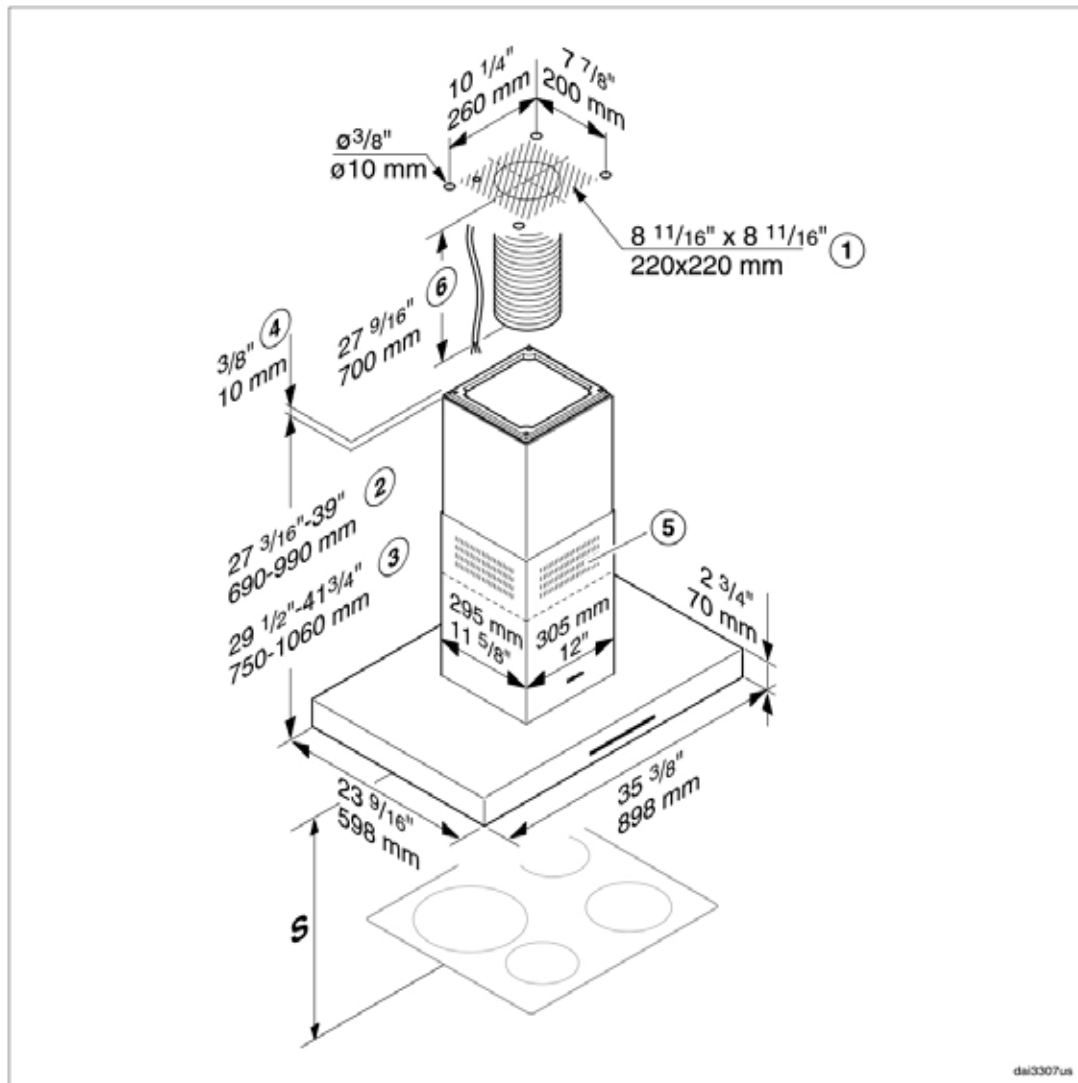
- NEW: LED ClearView lighting
- NEW: Con@ctivity — communication between hood and cooktop
- NEW: Telescopic chimney
- NEW: Recirculating as option
- Front-mounted backlit controls
- Four fan speeds (incl. intensive)
- Removable, dishwasher-safe stainless steel grease filter
- Choose from glass or stainless steel panels\* for covering the stainless steel grease filter (**sold separately**); dishwasher safe for easy clean-up
- Three dishwasher-safe panels
- Filter saturation indicator
- Delayed shutdown for 5 or 15 minutes
- Automatic shutdown of intensive level, programmable for 10 minutes
- Polished stainless steel logo
- Stainless steel finish or RAL color options

## SPECIFICATIONS

### DA 6596 D — Item 28659655USA

Vented or Recirculating	625 CFM setting
Canopy Dimensions	35 <sup>3</sup> / <sub>8</sub> " (898mm) W x 2 <sup>3</sup> / <sub>4</sub> " (70mm) H x 23 <sup>9</sup> / <sub>16</sub> " (598mm) D
Dimensions (Standard Height) - Vented	27 <sup>3</sup> / <sub>16</sub> " — 39" (690—990mm) H
Dimensions (Standard Height) - Recirculating	29 <sup>1</sup> / <sub>2</sub> " — 41 <sup>3</sup> / <sub>4</sub> " (750—1060mm) H
Chimney Dimensions	12" (305mm) W x 11 <sup>5</sup> / <sub>8</sub> " (295mm) D
Minimum distance above cooktop	Please refer to page 26 of the installation manual
Color	Available in brushed stainless steel or RAL colors
<b>Electrical</b>	
Electrical Requirements	120 V, 60 Hz, 15 Amps
Electrical Rating	362 W (Blower: 350 W; Lighting: 4x3 W)
<b>Optional Accessories</b>	
Recirculating Kit	DUI 32 Recirculating Kit
OdorFree Charcoal Filter	DKF 12-1 OdorFree Charcoal Filter
Reducing Collar (air flow max. 400 CFM)	
<b>Shipping</b>	
Shipping Weight	74.8 lbs (34kg)
<b>Support</b>	
Call	800.843.7231
20/20	©2020technologies.com

## PRODUCT VIEW



- ① Mounting area for the exhaust ducting and power cable. In recirculation mode, only the power cord is required.
- ② Possible height range for appliance in vented mode
- ③ Possible height range for appliance in recirculation mode
- ④ Alternative installation with spacer frame
- ⑤ Air vent positioned at the top for recirculation