

Single DishDrawer™ Dishwasher, Tall, Sanitize

Series 7 | professional

Stainless Steel

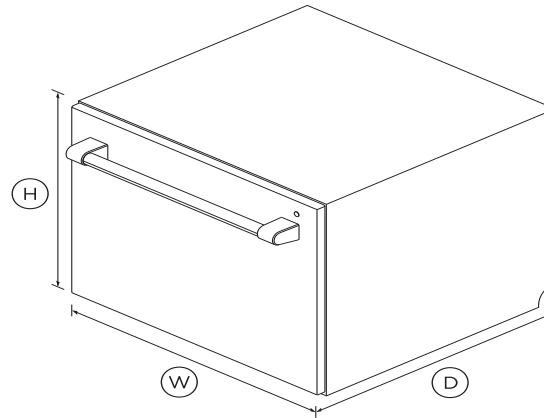


Designed to fit your full-sized dinner plates, this DishDrawer™ can be placed anywhere in your kitchen, for loading dishes with less bending.

- Six wash programs, as well as additional Quick wash, Sanitize and Extra Dry options
- American Disabilities Act (ADA) compliant, this can be installed at an accessible height for loading and unloading.
- Flexible racking can be folded down to fit bigger dishes

DIMENSIONS

Height	17 ⁷ / ₈ "
Width	23 ¹³ / ₁₆ "
Depth	22 ³ / ₄ "



FEATURES & BENEFITS

Ease of use

DishDrawer™ Dishwashers are as easy to open and close as kitchen drawers and can be conveniently positioned at bench height for ease of loading and minimal bending. Flexible racking allows you to make adjustments to fit in a variety of dishes.

Complementary design

DishDrawer™ Dishwashers can be installed in any kitchen space and are designed to match the Fisher & Paykel family of kitchen appliances, with matching handles, premium styling and quality

materials.

Quick, Sanitize and Extra Dry options

The Quick wash modifier delivers a faster wash while maintaining performance. The Sanitize option provides extra protection killing 99.9% of bacteria in the final rinse. The Extra Dry setting is perfect for plastic dishes.

Quiet performer

Running at a very low decibel rate, these DishDrawer™ Dishwashers do their job without making a fuss. The combination of intelligent technology and simple mechanics means greater reliability and excellent wash performance.

SPECIFICATIONS

Accessories

Contemporary round handle kit	Part number 81671
Cutlery basket	1

Capacity and loading

Accommodates round plates	12.25"
Adjustable height, foldable	•
Fold down tines	•
Pitch adjustable tines	•
Place settings	7

Consumption

Energy Star rating	•
Energy usage	141kWh/year

Controls

Child lock	•
Electronic fault/Diagnostic	•

- End of cycle beeps •
- Energy saving delay start •
- Internal wash selector •
- Rinse aid indicator light •

Features

- Fan assisted drying •
- Flow through detergent •
- Quiet operation •
- SmartDrive™ technology •

Performance

Noise on gentle cycle top	44dBA
Water usage	<2 gal

Power requirements

Amperage	5A
Electric circuit	3
Rated current	15A
Supply frequency	60Hz
Supply voltage	120V

Product dimensions

Depth	22 ³/₄ "
Height	17 ⁷/₈ "
Width	23 ¹³/₁₆ "

Safety and compliance

- ADA compliant •

Warranty

Parts and labor	Limited 2 Year Parts & Labor
-----------------	---

Wash programs

Delicate	•
Delicate eco	•
Eco options	•
Extra Dry	•
Fast	•
Fast Eco	•
Heavy	•
Heavy eco	•
Medium	•
Normal eco	•
Number of wash programs	15
Quick	•
Rinse	•
Sanitise	•
Wash modifiers	3

Water connection

Inlet water temperature	Max 140°F
Supplied hose to suit 3/8"	•
Water pressure	0.03 Mpa - 1 Mpa (4.3-145 psi)

SKU	71402
-----	-------

and model. Under our policy of continuous improvement, these dimensions and specifications may change at any time. You should therefore check with Fisher & Paykel's Customer Care Centre to ensure this page correctly describes the model currently available. © Fisher & Paykel Appliances Ltd 2019.

The product dimensions and specifications in this page apply to the specific product

Other product downloads available at fisherpaykel.com



Quick Start Guide



User Guide



Service & Warranty Booklet



Installation Guide



A PEACE OF MIND SALE

24 Hours 7 Days a Week Customer Support

T 1300 650 590 **W** www.fisherpaykel.com