

## DGC 7470 XL - Brilliant White 30" Combi-Steam Oven - VitroLine

### Features:

- Combi-Steam Ovens: Steam ovens with full fledged oven function
- Lift up panel - conveniently stores the water containers
- Dual Steam - quickly and evenly distribute steam for perfect cooking results
- Mix & Match - use your Miele@home app or the WiFi enabled appliance to create recipes for full meals

### Included:

- 1 Universal Tray with Perfect Clean
- 1 Wire rack with Perfect Clean
- 1 perforated stainless steel container
- 1 solid stainless steel container

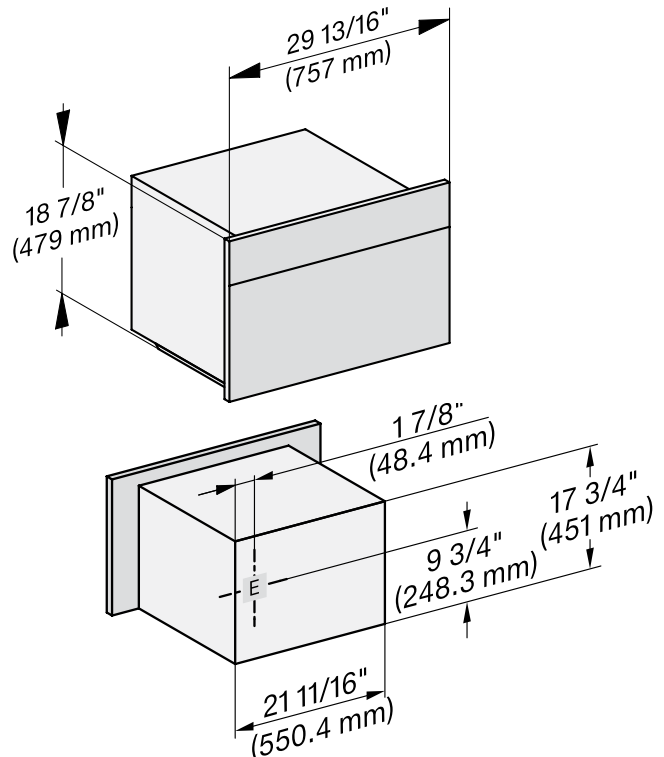


### MATERIAL #

11876270

SPECIFICATIONS	
Overall Unit Dimensions	29 <sup>13</sup> / <sub>16</sub> " (757 mm) W x 18 <sup>7</sup> / <sub>8</sub> " (479 mm) H x 23 <sup>1</sup> / <sub>8</sub> " (587 mm) D
<b>Niche</b>	
Minimum Cabinet Niche Opening	28 <sup>1</sup> / <sub>2</sub> " (724 mm) W x 18 <sup>1</sup> / <sub>2</sub> " (470 mm) H x 24" (610 mm) D
<b>Electrical</b>	
Electrical Requirements	208 - 240V, 60Hz, 20 Amps
Power Cord	NEMA 6-20 plug, 5 ft (1.52 m)
<b>Shipping</b>	
Shipping Weight	143 lbs (65 kg)
Shipping Dimensions	28 <sup>5</sup> / <sub>8</sub> " (726 mm) W x 29 <sup>1</sup> / <sub>4</sub> " (743 mm) H x 32 <sup>1</sup> / <sub>2</sub> " (825 mm) D

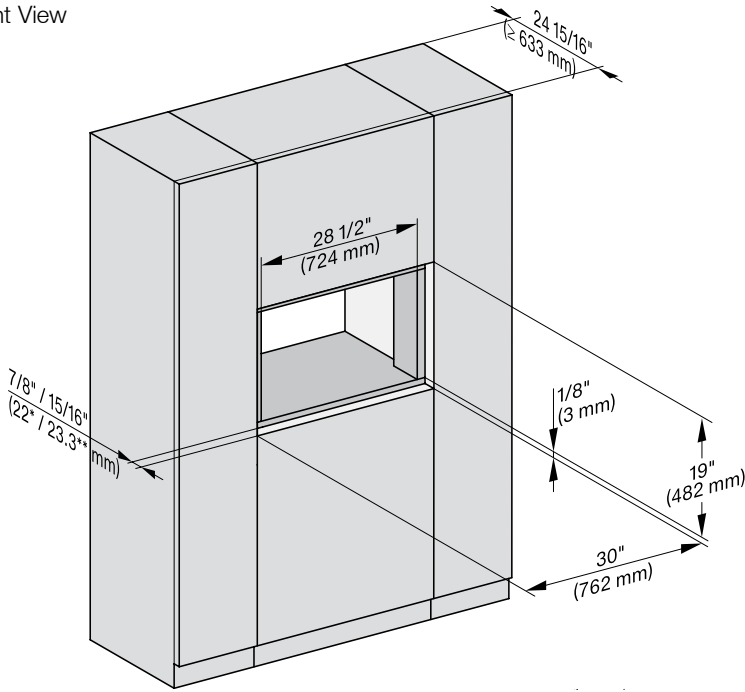
### PRODUCT DIMENSIONS



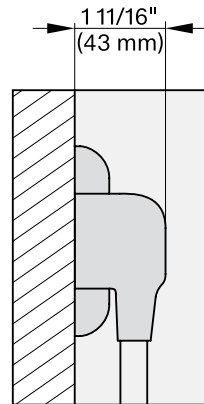
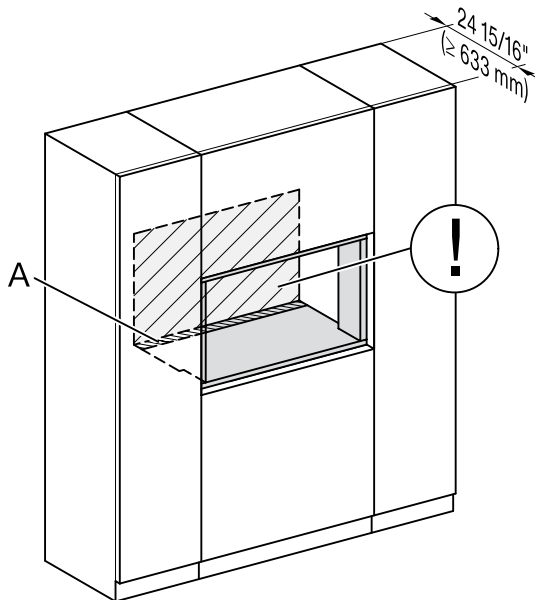
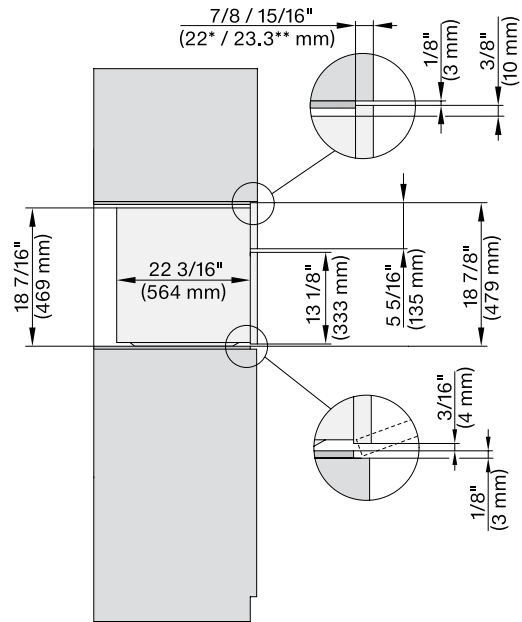
E = Electrical connection

## FLUSH CUTOUT DIMENSIONS

Front View



Side View



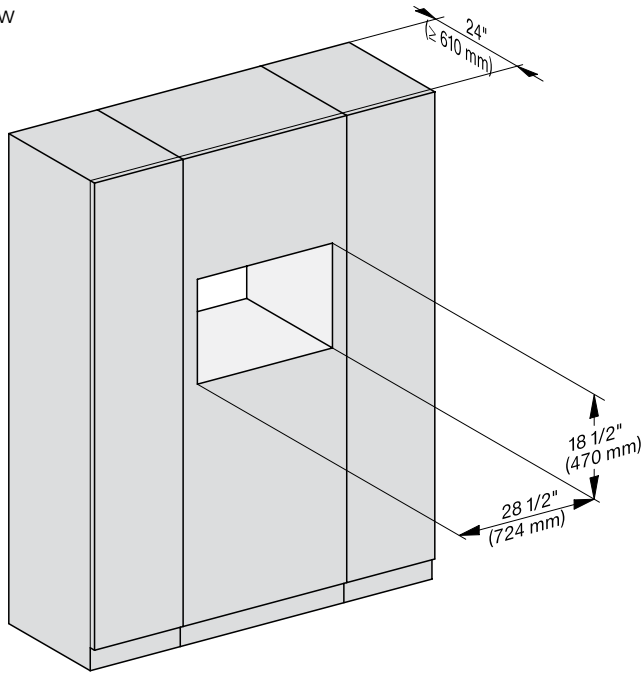
A - Cut-out (4" x 28" [100 mm x 720 mm]) in the bottom of the cabinet for the power cord and Ventilation

⚠ - Electrical and water supplies are recommended to be placed in adjacent cabinetry.

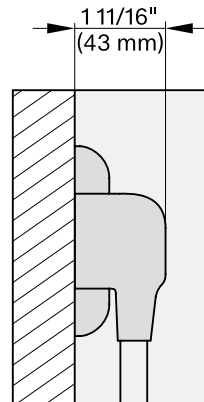
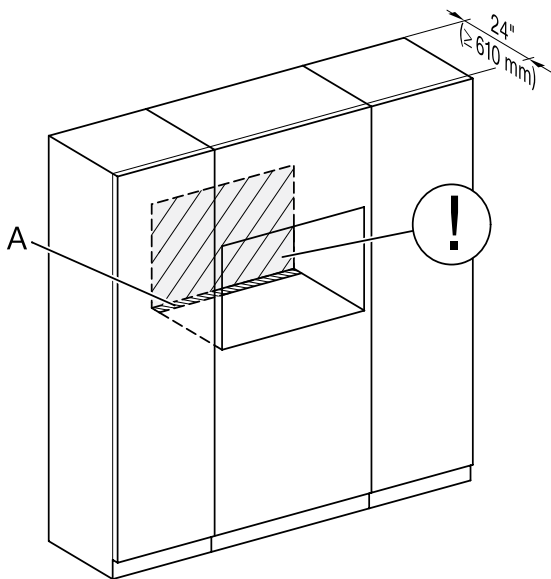
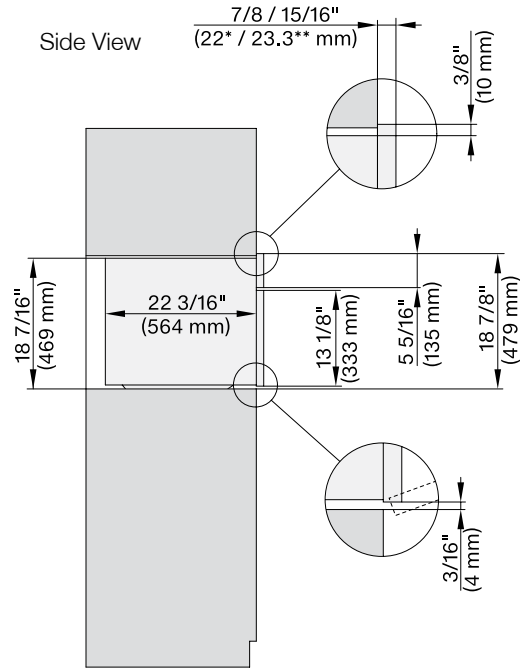
Additional cabinet depth is required when placing the electrical and water supplies behind the appliance.

## PROUD CUTOUT DIMENSIONS

Front View



Side View



A - Cut-out (4" x 28" [100 mm x 720 mm]) in the bottom of the cabinet for the power cord and Ventilation

ⓘ - Electrical and water supplies are recommended to be placed in adjacent cabinetry.

Additional cabinet depth is required when placing the electrical and water supplies behind the appliance.