

DGC 7840 XL - Obsidian Black 24" Combi-Steam Oven - VitroLine

Features:

- Combi-Steam Ovens: Steam ovens with full fledged oven function
- Lift up panel - conveniently stores the water containers
- M-Touch Display with Motion React - Simple to use touch controls that react when approached
- Roast Probe - Precise temperature control of food
- Mix & Match - use your Miele@home app or the WiFi enabled appliance to create recipes for full meals

Included:

- 1 Universal Tray with Perfect Clean
- 1 Wire rack with Perfect Clean
- 1 pair FlexiClip runners with Perfect Clean
- 2 perforated stainless steel containers
- 1 solid stainless steel container

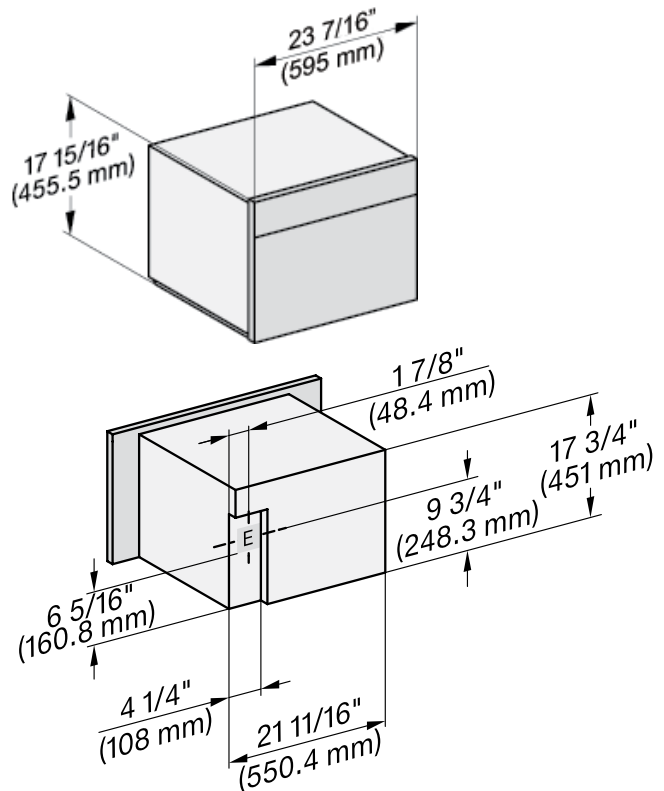


MATERIAL

11876610

SPECIFICATIONS	
Overall Unit Dimensions	23 ⁷ / ₁₆ " (595 mm) W x 17 ¹⁵ / ₁₆ " (455.5 mm) H x 23 ¹ / ₄ " (590 mm) D
Niche	
Minimum Cabinet Niche Opening	22 ¹ / ₂ " (562 mm) W x 17 ¹¹ / ₁₆ " (450 mm) H x 24" (610 mm) D
Electrical	
Electrical Requirements	208 - 240V, 60Hz, 20 Amps
Power Cord	NEMA 6-20 plug, 5 ft (1.52 m)
Shipping	
Shipping Weight	128 lbs (58 kg)
Shipping Dimensions	27 ⁷ / ₁₆ " (697 mm) W x 23 ⁷ / ₁₆ " (595 mm) H x 26 ¹ / ₁₆ " (677 mm) D

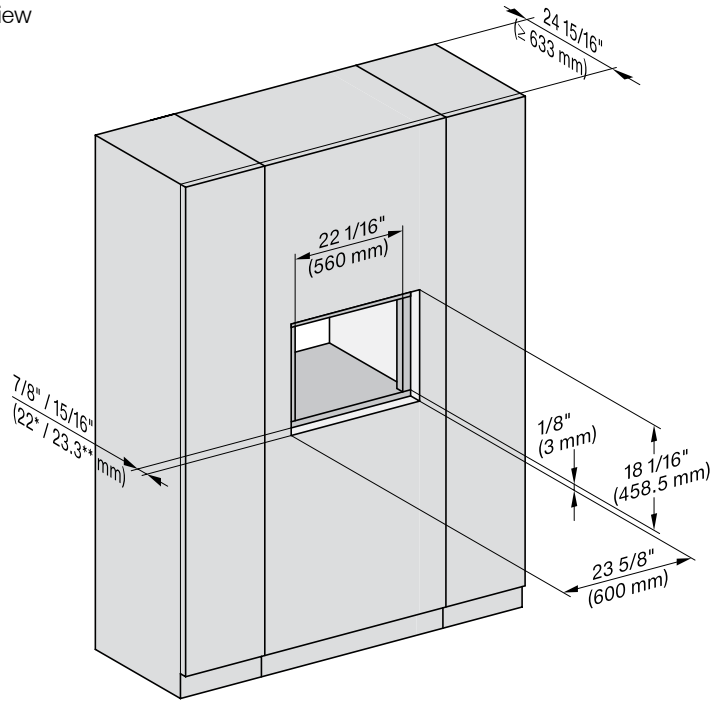
PRODUCT DIMENSIONS



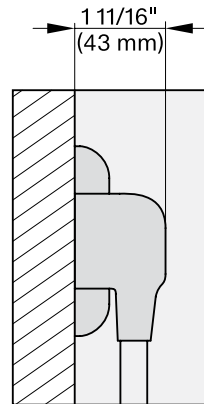
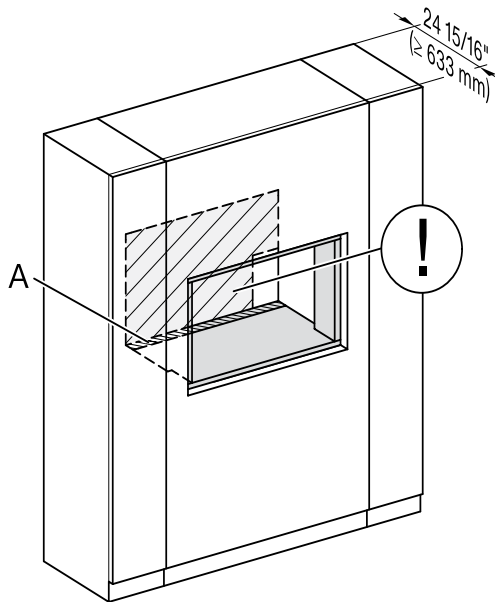
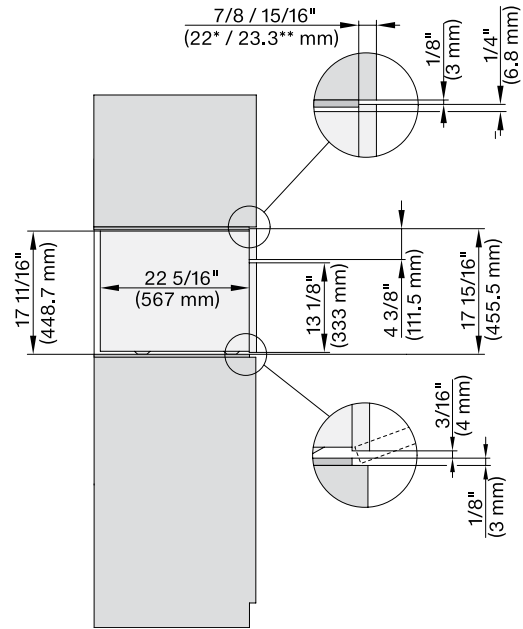
E = Electrical connection

FLUSH CUTOUT DIMENSIONS

Front View



Side View



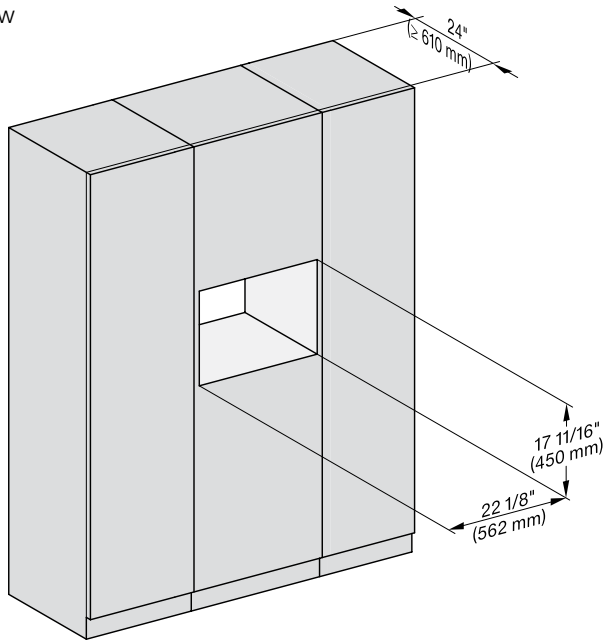
A - Cut-out (4" x 28" [100 mm x 720 mm]) in the bottom of the cabinet for the power cord and Ventilation

ⓘ - Electrical and water supplies are recommended to be placed in adjacent cabinetry.

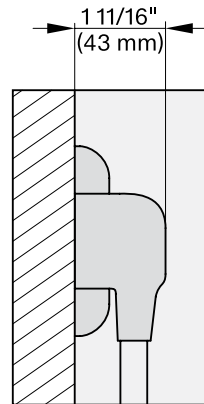
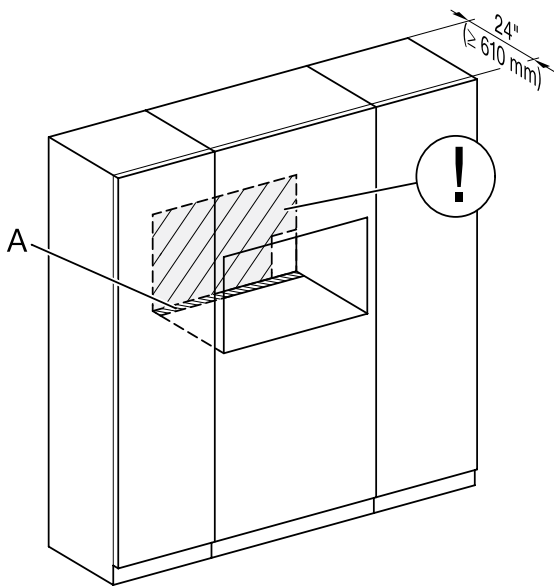
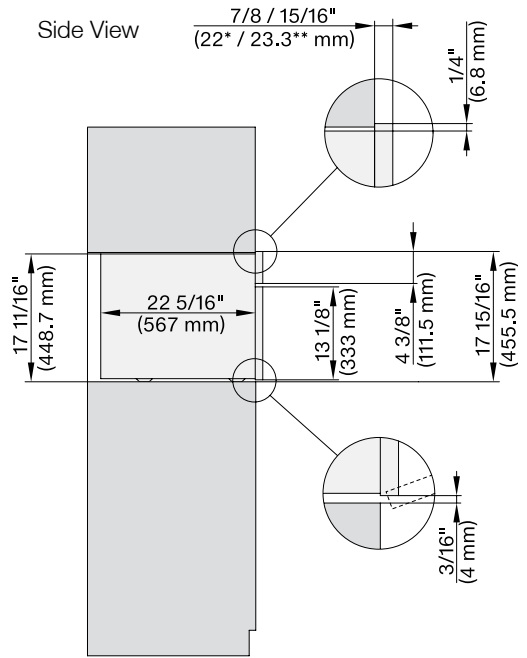
Additional cabinet depth is required when placing the electrical and water supplies behind the appliance.

PROUD CUTOUT DIMENSIONS

Front View



Side View



A - Cut-out (4" x 28" [100 mm x 720 mm]) in the bottom of the cabinet for the power cord and Ventilation

ⓘ - Electrical and water supplies are recommended to be placed in adjacent cabinetry.

Additional cabinet depth is required when placing the electrical and water supplies behind the appliance.