



36-INCH GAS RANGE

DOP36P86G | TRANSITIONAL STYLE



AVAILABLE MODELS

DOP36P86GLS Transitional 36" Gas Range - Silver Stainless Steel Natural Gas/Liquid Propane

FEATURES & BENEFITS

- Dual Three-Part Pure Convection - air, baffle, and filter to precisely distribute heat for superior cooking results.
- Large oven capacity - 5.9 cu. ft.
- 6 brass sealed burners.
- Powerful 22K BTU and true simmer burners.
- Illumina™ Knobs and Ambient Light.
- PMOLED Touch Control Panel.
- SmartThings app with integrated Wif-Fi to control and monitor remotely.
- Auto connect to hood.

ACCESSORIES (INCLUDED)

GLIDERACK™	2
STANDARD RACKS	1
TEMPERATURE PROBE	1
WOK RING	1
CONVECTION FILTER	2
BRASS BURNER CAPS	YES
BLACK BURNER CAPS	YES

ACCESSORIES (OPTIONAL)

COOKIE SHEETS (SET OF 3)	SKU - ACSM303
--------------------------	---------------

GENERAL PROPERTIES

OVEN CAPACITY (CUBIC FEET)	5.9
COOKING MODES	BAKE, BROIL, ROAST, CONVECTION BAKE, CONVECTION ROAST, PRO CONVECTION, STEAM BAKE, STEAM ROAST, CONVECTION BROIL

OVEN PERFORMANCE

BAKE ELEMENT	25,000 BTU
BROIL ELEMENT	18,000 BTU
CONVECTION FANS	2

BURNER PERFORMANCE

TOTAL NUMBER OF COOKTOP BURNERS	6
CENTER FRONT (BTU)	16,000 DOUBLE RING
CENTER REAR (BTU)	16,000 DOUBLE RING
LEFT FRONT (BTU)	22,000 DUAL RING
LEFT REAR (BTU)	16,000 DUAL RING
RIGHT FRONT (BTU)	22,000 DUAL RING
RIGHT REAR (BTU)	16,000 DUAL RING
PERMA-FLAME™ (AUTO RE-IGNITION)	YES

CONTROL FEATURES

PMOLED DISPLAY	YES
NUMBER OF KNOBS	8
CONTROL METHOD	KNOBS + PMOLED TOUCH SCREEN
WI FI	YES
BLUETOOTH (HOOD CONNECTION)	YES
ILLUMINA™ BURNER KNOBS	YES / WHITE
HIGHLIGHTING COLOR	WHITE
AMBIENTLIGHTING	YES (DIMMING)
CLOCK	YES
DELAY START	YES
KITCHEN TIMER	YES
TIME OF DAY (12 HR/24 HR)	YES
TEMPERATURE (F / C)	YES
CHILD LOCK	YES
SOUND ON/OFF	YES
MANUAL LIGHTING ON/OFF	YES

dacor

36-INCH GAS RANGE

ADDITIONAL FEATURES

CLEANING TYPE	SELF CLEAN
TYPE OF GRATE	CONTINUOUS CAST IRON
CAVITY	BLACK ENAMEL COATING
RACK POSITIONS	5
CONVECTION TYPE	DUAL THREE PART PURE CONVECTION WITH FILTER
LP CONVERSION KIT	YES

ADDITIONAL MODES

KEEP WARM	YES
PROOF (LOWER TEMP)	YES
PROOF	YES
DEHYDRATE	YES
SABBATH	YES

OPTIONAL MODES

TEMPERATURE PROBE	YES
-------------------	-----

TECHNICAL DETAILS

CIRCUIT BREAKER (A)	15
VOLTS (V)	120
FREQUENCY (HZ)	60
ENERGY SOURCE	GAS
GAS TYPE	NATURAL GAS LIQUID PROPANE

DIMENSIONS & WEIGHT

APPLIANCE DIMENSIONS (W X H X D) (IN.)	35 7/8" X 36" X 28 3/4"
REQUIRED CUTOUT SIZE (W X D) (IN.)	36" MIN X 24"

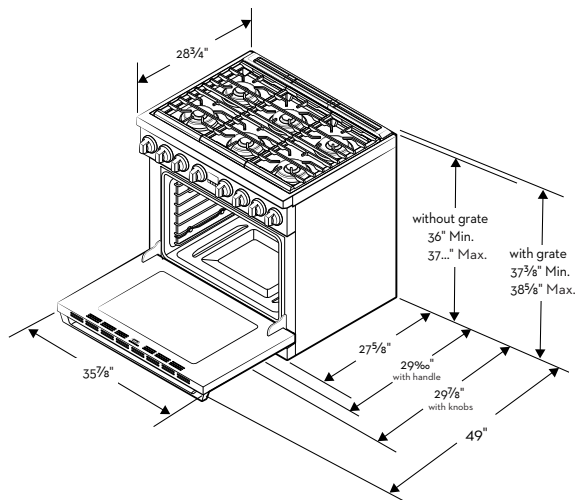
WARRANTY

LIMITED, PARTS AND LABOR	2 YEARS
--------------------------	---------

dacor

36-INCH DUAL-FUEL RANGE

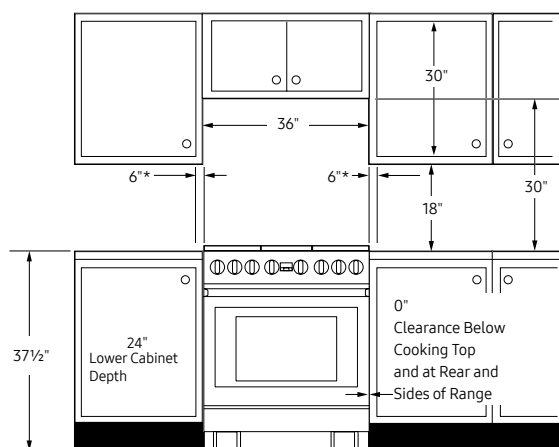
APPLIANCE DIMENSIONS



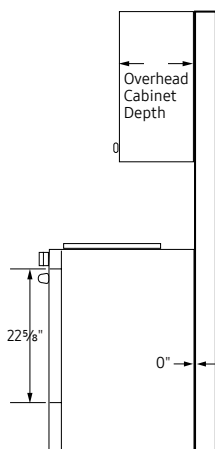
36"

WIDTH	35 7/8" (121.6CM)
DEPTH (BULLNOSE)	28 3/4" (73.0CM)
C (HEIGHT)	36" (91.4CM)

INSTALLATION DIMENSIONS



* Side clearance above cooking surface to any objects, i.e., wall.



36"

A	ELECTRICAL OUTLET 7/8" (W) X 6 7/8" (H) (25.1CM X 17.5CM)
B	GAS PIPING 7 3/8" (W) X 5 3/8" (H) (18.6CM X 13.8CM)

