

Electrolux



Dual Fuel Range

30" Dual-Fuel Freestanding Range

ECFD3068AS

Available Colors : Stainless Steel

Version : 01/21

Cooktop

Cooking Surface Type	Gas
Grate Material	Cast Iron
Grate Quantity	3
Grate Style	Continuous
Sealed Burners	Yes

Cooktop Performance

Right Front Element Burner	18,000 / 750 BTU Dual
Right Rear Element Burner	12,000 BTU
Left Front Element Burner	18,000 / 750 BTU Dual
Left Rear Element Burner	12,000 BTU
Center Element Burner	10 BTU

Cooking Controls

Bake	Yes
Bread Proof	Yes
Broil	Yes
Child Lock	Yes
Convection Bake	Yes
Convection Roast	Yes
Cook Time	Yes
Delay Start	Yes
Keep Warm	Yes
Probe	Yes
Steam Clean	Yes
Temperature Display	Yes

Oven

Bake Element Type	Hidden
Bake Element	3,300 Watts
Broil Element	3,300 Watts
Convection Type	True
Number of Convection Fans	1
Convection Element	2,950 Watts
Rack Position Type	Ladder

Number of Rack Positions	6
Rack Type 1	Flat
Rack Type 1 Quantity	2
Rack Type 2	Glide
Rack Type 2 Quantity	1
Oven Interior Color	Gray
Window Type	Extra Large Window
Oven Light Type	Halogen
Oven Light Quantity	2
Oven Light Watts	40 Watts

Controls

Sabbath Mode	Yes
Wi-Fi Enabled	No

Display

Control Location	Front
Display Type	LED

Dimensions and Volume

Minimum Height	35 3/8"
Maximum Height	36 5/8"
Width	29.938"
Depth	25 7/8"
Depth With Door 90° Open	46.688"
Oven Interior Height	17 24/100"
Oven Interior Width	24 1/4"
Oven Interior Depth	16"
Oven Capacity	4.6 Cu. Ft.

Electrical Specifications

Minimum Circuit Required	30 Amps
Voltage Rating	240 V

Installation

Adjustable Leveling Legs	Yes
--------------------------	-----

High standards of quality at Electrolux Home Products, Inc. mean we are constantly working to improve our products. We reserve the right to change specifications or discontinue models without notice.

Electrolux Major Appliances, N.A.

USA • 10200 David Taylor Drive • Charlotte, NC 28262 • Charlotte, NC 28262 • 1-877-4electrolux (1-877-435-3287) • electroluxappliances.com

CANADA • 5855 Terry Fox Way • Mississauga, ON L5V 3E4 • 1-800-265-8352 • electroluxappliances.ca

30" Dual-Fuel Freestanding Range

ECFD3068AS

Version : 01/21

LP Conversion Kit Included	Yes
----------------------------	-----

General Specifications

Product Weight	275 lbs
Prop 65 Label	Yes
Warranty - Labor	1 Year
Warranty - Parts	1 Year

Safety Certifications & Approvals

CSA Listed	Yes
RoHS	Yes

High standards of quality at Electrolux Home Products, Inc. mean we are constantly working to improve our products. We reserve the right to change specifications or discontinue models without notice.

Electrolux Major Appliances, N.A.

USA • 10200 David Taylor Drive • Charlotte, NC 28262 • Charlotte, NC 28262 • 1-877-4electrolux (1-877-435-3287) • electroluxappliances.com

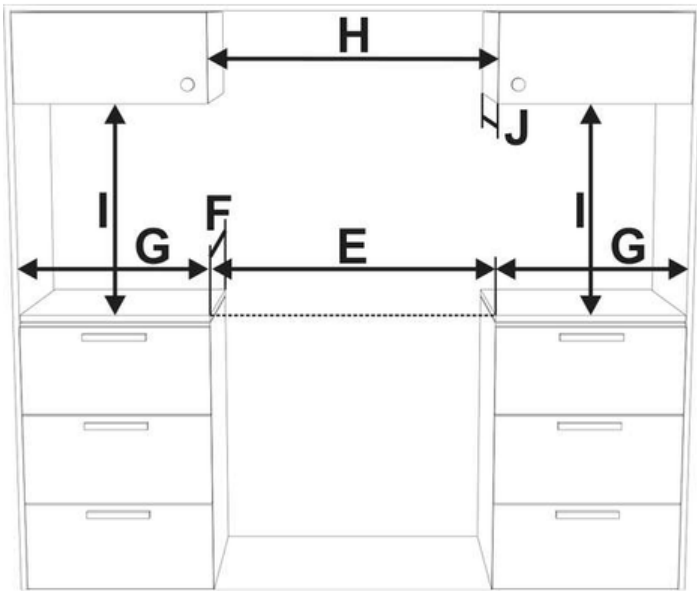
CANADA • 5855 Terry Fox Way • Mississauga, ON L5V 3E4 • 1-800-265-8352 • electroluxappliances.ca

Electrolux

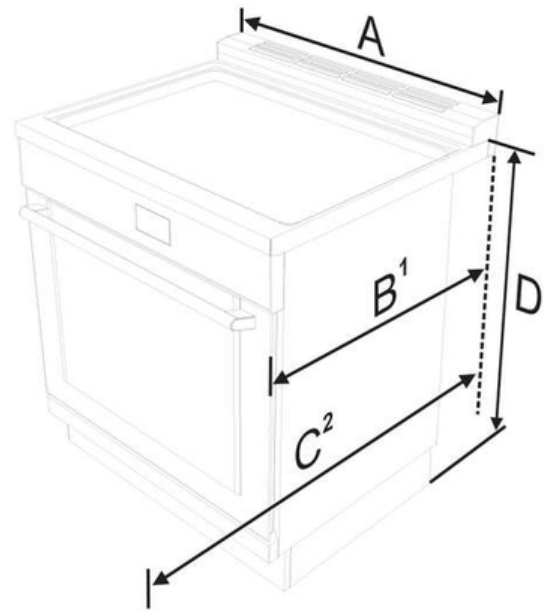
30" Dual-Fuel Freestanding Range

ECFD3068AS

Version : 01/21



E	min. 762 mm	min. 30"
F	628 mm	24" 5/8
G	min. 508 mm	min. 20"
H	min. 762 mm	min. 30"
I	min. 457 mm	min. 18"
J	max. 330 mm	max. 13"



A	760 mm	29" 15/16"
B¹	min: 654 mm max: 658 mm	min: 25 3/4" max: 25 14/16"
C²	1186 mm	46 11/16"
D	min: 898 mm max: 930 mm	min: 35 6/16" max: 36 5/8"

High standards of quality at Electrolux Home Products, Inc. mean we are constantly working to improve our products. We reserve the right to change specifications or discontinue models without notice.

Electrolux Major Appliances, N.A.

USA • 10200 David Taylor Drive • Charlotte, NC 28262 • Charlotte, NC 28262 • 1-877-4electrolux (1-877-435-3287) • electroluxappliances.com

CANADA • 5855 Terry Fox Way • Mississauga, ON L5V 3E4 • 1-800-265-8352 • electroluxappliances.ca