



Double Wall Oven

30" Electric Double Wall Oven with Air Fry

ECWD3011AS

Available Colors : Stainless Steel

Version : 12/20

Cooking Controls

Air Fry	Yes
Air Sous Vide	Yes
Bread Proof	Yes
Convection Bake	Yes
Convection Roast	Yes
Delay Start	Yes
Keep Warm	Yes
Probe	Yes
Self Clean	Yes
Set Clock	Yes
Start	Yes
Steam Bake	Yes
Steam Clean	Yes
Steam Roast	Yes
Stop	Yes
Temperature Display	Yes
Timer On / Off	Yes

Oven

Bake System	Yes
Bake Element Type	Hidden
Bake Element Pass	8
Bake Element	2,200 Watts
Broil Element Pass	6
Broil Element	4,000 Watts
Number of Rack Positions	6
Rack Type 1	Handle
Rack Type 1 Quantity	1
Rack Type 2	Glide
Rack Type 2 Quantity	1
Rack Type 3	Air Fry Tray
Rack Type 3 Quantity	1
Oven Interior Color	Midnight Black
Oven Light Type	Halogen
Oven Light Quantity	2

Oven Light Watts	25 Watts
------------------	----------

Controls

Wi-Fi Enabled	Yes
---------------	-----

Display

Display Type	Capacitive Touch
--------------	------------------

Dimensions and Volume

Height	50 25/32"
Width	29 7/8"
Depth	25 5/32"
Depth With Door 90° Open	27 9/32"
Depth With Handle	45 3/16"
Oven Lower Capacity	5 1 Cu Ft
Oven Upper Capacity	5 1 Cu Ft

General Specifications

Product Weight	99 75 lbs
Prop 65 Label	Yes
Warranty - Labor	1 Year
Warranty - Parts	1 Year

Safety Certifications & Approvals

UL Listed	Yes
cUL Listed	Yes
RoHS	Yes

High standards of quality at Electrolux Home Products, Inc. mean we are constantly working to improve our products. We reserve the right to change specifications or discontinue models without notice.

Electrolux Major Appliances, N.A.

USA • 10200 David Taylor Drive • Charlotte, NC 28262 • Charlotte, NC 28262 • 1-877-4electrolux (1-877-435-3287) • electroluxappliances.com

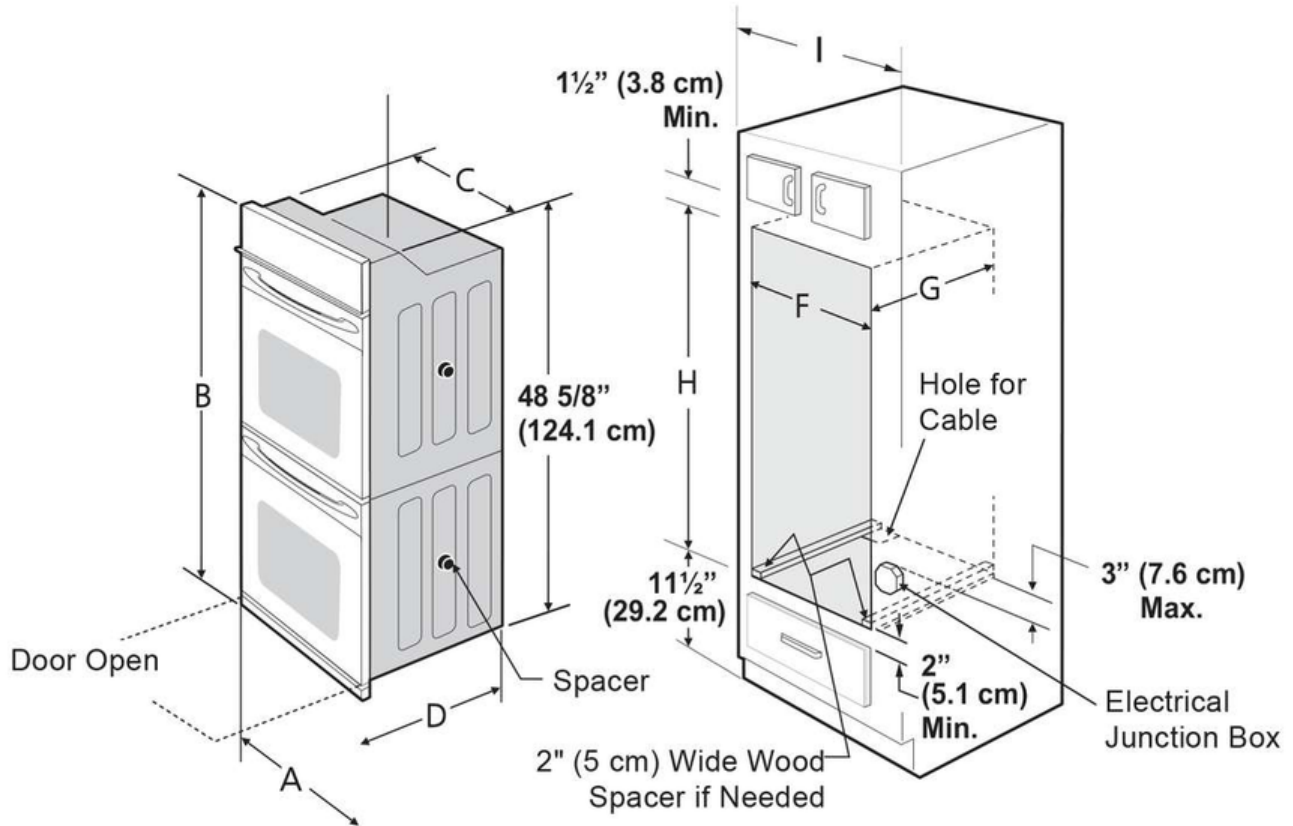
CANADA • 5855 Terry Fox Way • Mississauga, ON L5V 3E4 • 1-800-265-8352 • electroluxappliances.ca

Electrolux

30" Electric Double Wall Oven with Air Fry

ECWD3011AS

Version : 12/20



PRODUCT DIMENSIONS							
A		B		C		D	
30 (76.2 cm)		50 ¹³ / ₁₆ (129.0 cm)		28 ¹ / ₄ (71.8 cm)		25 ³ / ₁₆ (63.9 cm)	
CUTOUT DIMENSIONS AND CABINET WIDTH							
F		G (Min.)		H. Standard Height (**Others, see notes 3)		I	
Min.	Max.			Min.	Max.		
28 ¹ / ₂ (72.4 cm)	29 (73.7 cm)	24 (61.0 cm)		48 ⁷ / ₈ (124.5 cm)	50 ¹ / ₄ (127.6 cm)	30 ¹ / ₈ (76.5 cm) Min	

High standards of quality at Electrolux Home Products, Inc. mean we are constantly working to improve our products. We reserve the right to change specifications or discontinue models without notice.

Electrolux Major Appliances, N.A.

USA • 10200 David Taylor Drive • Charlotte, NC 28262 • Charlotte, NC 28262 • 1-877-4electrolux (1-877-435-3287) • electroluxappliances.com

CANADA • 5855 Terry Fox Way • Mississauga, ON L5V 3E4 • 1-800-265-8352 • electroluxappliances.ca