

30" Warming Drawer - Custom Panel

ESW 6380 FB



30" Warming Drawer - Custom Panel

ESW 6380 FB



ESW 6380 FB

Features:

- Accommodates custom front panel
- Touch controls
- Fan-assisted heating system
- Time control, 4-hour timer
- Temperature settings from 105°F to 185°F
- Keeps food or plates and cups warm
- Non-slip liner
- Cool touch front
- Soft Open
- Auto Close
- Warm dishware for up to 12 people
- Sabbath Program
- Movable half rack insert allows food and dishware to be stored and warmed on two levels

SPECIFICATIONS

ESW 6380 FB - Item 30638052USA

Overall Unit Width - Excluding Fascia Dimension 25¹⁵/₁₆" (659 mm)

Overall Unit Height - Excluding Fascia Dimension 10⁹/₁₆" (268 mm)

Overall Unit Depth - Excluding Fascia Dimension 23⁷/₈" (606 mm)

Built-In

Minimum Cabinet Opening Width 26⁵/₁₆" (668 mm)

Maximum Cabinet Opening Width 28¹/₂" (724 mm)

Minimum Cabinet Opening Depth 24" (610 mm)

Minimum Cabinet Opening Height 10⁵/₈" (270 mm)

Minimum Base Support 120 lbs

Minimum Shelf Thickness Between Stacked Product 3/4" (19 mm)

Custom Panel See Page 5 For Further Details

Minimum Panel Width 29¹³/₁₆" (757 mm)

Minimum Panel Thickness 3/4" (19 mm)

Minimum Panel Height 10⁵/₈" (270 mm)

Maximum Panel Weight 11 lbs (5 kg)

Electrical

Electrical Requirements 120V, 15A, 60Hz

Power Cord Molded NEMA 5-15 plug, 5 ft (1.5 m)

Electrical Rating 1kW (120V)

Total Amps 6A on 120V

Shipping

Shipping Weight 70 lbs

Shipping Dimensions 32⁷/₈" W x 14³/₈" H x 29⁷/₈" L

Support

Call Miele 800.999.1360

Miele Website www.mieleusa.com

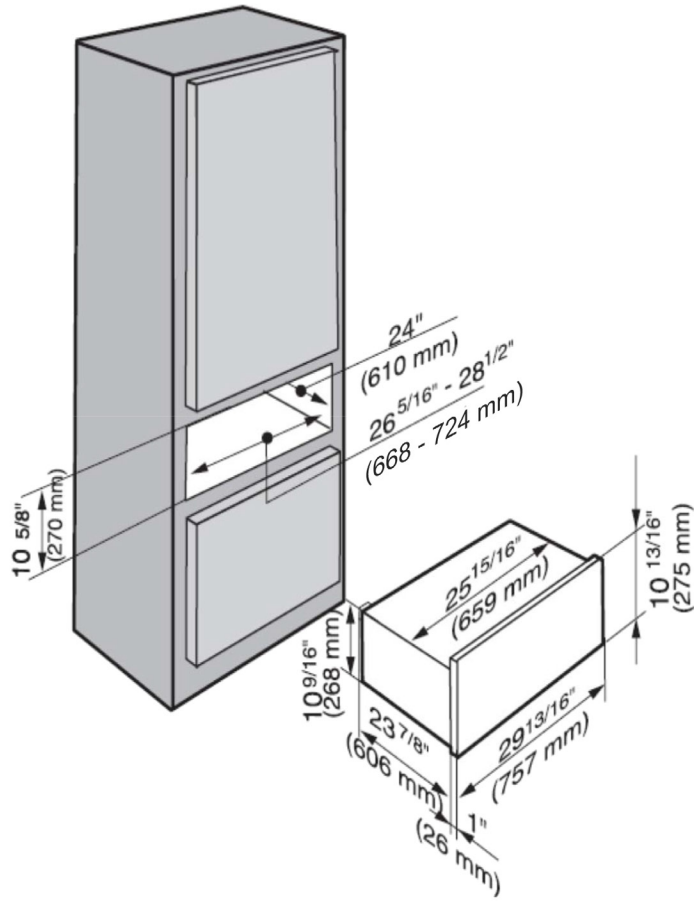
20/20 Link 2020technologies.com

30" Warming Drawer - Custom Panel ESW 6380 FB

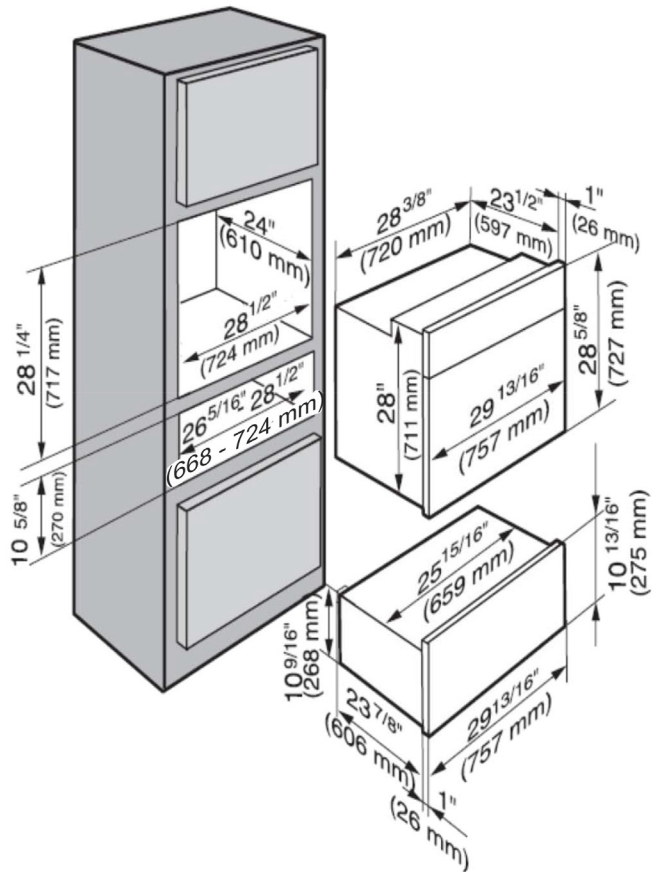


INSTALLATION SPECIFICATIONS

Solo Install



Install with 30" Oven



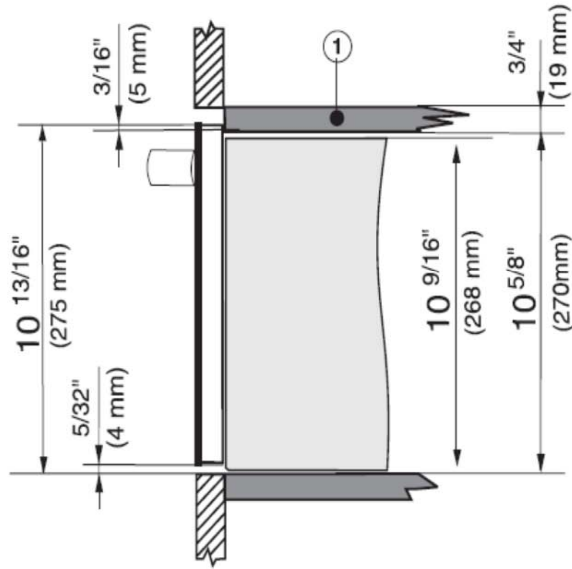
30" Warming Drawer - Custom Panel

ESW 6380 FB



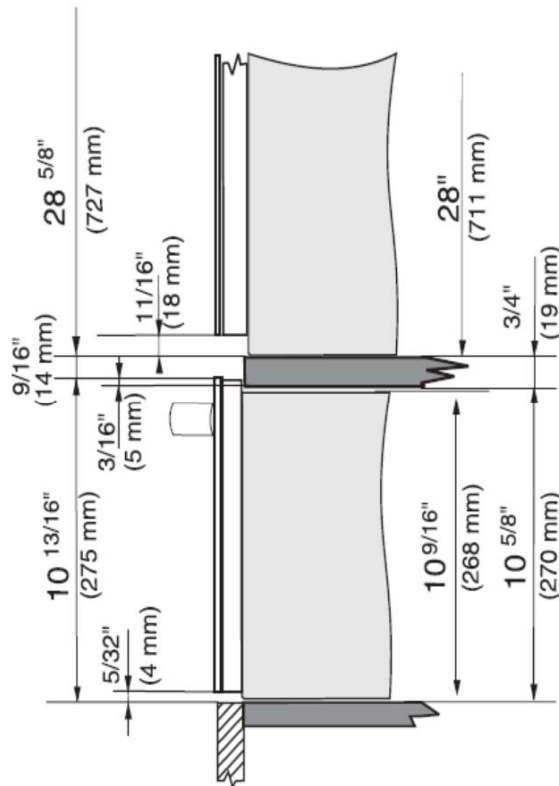
INSTALLATION SPECIFICATIONS

Side View



① Fixed shelf

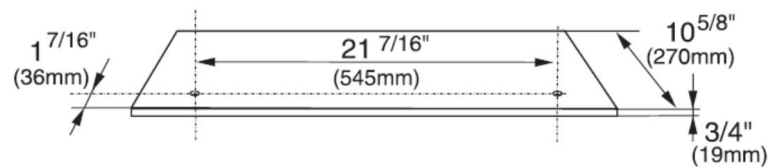
Side View with Oven



INSTALLATION SPECIFICATIONS

Custom Panel Details

The front panel must be at least $\frac{3}{4}$ " (19 mm) thick and made of heat resistant material 140° F (60° C). The front panel, including handle, must not exceed 11 lb (5 kg) in weight.



- Mounting hole diameter: $\frac{3}{8}$ "
- Minimum custom front panel width: $29 \frac{13}{16}$ "