

# 24" OVERLAY BUILT-IN DISHWASHER



CODE ID

24" OVERLAY DISHWASHER

**F6DWT24FI2**



Noise Level 45 (dB)



Steel Tub



Fast Wash Cycle



1/2 Load Cycle



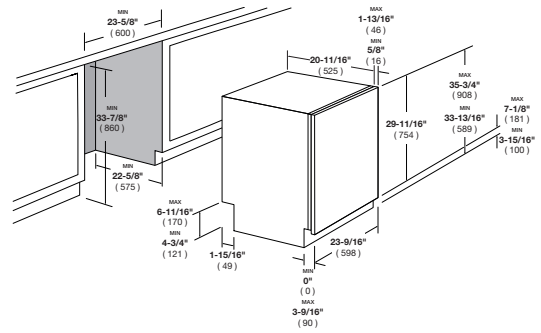
Flexible Rack Loading

## SPECIFICATIONS

16 Place Settings  
6 Programs  
45 dB Silent Operations  
Flexible Rack Loading  
All-In-One single tablet Detergent Function  
Fast Function  
5 Level Wash  
Flow-Through Heater  
3 way Euro Filtering System  
Front Adjustable rear feet  
Adjustable Hinge System  
Built-in High Loop with Air Gap  
Double Motion Float System

# DISTINTO

## 24" INTEGRATED DISHWASHER



CODE ID	24" INTEGRATED DISHWASHER F6DWT24FI2
Finish	Panel Ready
<b>CONTROL PANEL</b>	
Position	Top of door
Type	Electronic
<b>DISPLAY</b>	
Rinse Aid Indicator	LED Icon
LED Spot	Running Indicator Floor illuminating LED spotlight
<b>MAIN FEATURES</b>	
Loading Capacity (Place Settings)	16
Tub Material	Stainless Steel
Inner Door Material	Stainless Steel
Overflow Protection	•
5 Level Wash	•
Delay Timer	1 - 24 hours
3-way Euro Filter	•
Drying fan assisted	Fan Assisted Condensation
Brushless DC™ Motor	•
Turbidity Sensor	•
Silent Operation	45 dB(A)
Interior High Loop with Air Gap	•
Self Clean Cycle	•
<b>FUNCTIONS</b>	
Half Load Function	•
Sanitize Function	•
RapidClean	•
ExtraRinse	•
<b>PROGRAMS</b>	
Number of Programs	6
Pots and Pans+ (167° F rinse temp.)	•
MixWash+ (131 – 149° F rinse temp.)	•
Regular Wash (142 – 145°F rinse temp.)	•
Daily Wash	•
Quick Wash (131°F)	•
Rinse & Hold	•
<b>TECHNICAL FEATURES</b>	
Permissible Water Pressure	4.35 - 145 psi (0.3 - 10 bars)
Electrical Connection	120 V, 12 A, 60Hz
Total Power	1400 W (watts)
Heater Power	1100 W (watts)
<b>RACK SYSTEM</b>	
Cutlery Basket	Sliding
Upper Rack (Inset Shelves)	2
Adjustable Upper Rack	Able to raise/lower the rack when fully loaded
3rd Rack	Full-width
<b>ENVIRONMENTAL STANDARDS</b>	
ENERGY STAR® Qualified	•
Energy Consumption, Wh/year	255
Water Consumption gal/cycle	3.5 - 5.0
RoHS compliant ( Lead Free)	•
<b>DIMENSIONS/WEIGHT</b>	
H x W x D, in.	33 - 7/8" x 23 - 9/16" x 22 - 1/2"
H x W x D, cm	86.1 x 59.8 x 57
Product Weight, lbs.	154 lbs.
Product Weight, kg	70 kg
<b>INSTRUCTIONS FOR USE</b>	
Use & Care Manual / Installation Manual	English / Spanish / French