

FRIGIDAIRE GALLERY

FGBM19WNVF
FGBM19WNV D

Available Colors : Stainless Steel, Black Stainless Steel

Version : 10/19

Over-The-Range Microwave

1.9 Cu. Ft. Over-The-Range Microwave



Product Specifications

Sensor Features

| | |
|------------------------|-----|
| Sensor Cooking Options | Yes |
|------------------------|-----|

Exterior Dimensions

| | |
|--------|---------|
| Depth | 15-3/4" |
| Height | 16-3/8" |
| Width | 29-7/8" |

Cut-Out Dimensions

| | |
|----------------------|---------|
| Cut-Out Depth (Max.) | 14" |
| Cut-Out Depth (Min) | 12" |
| Cut-Out Height (Max) | 17" |
| Cut-Out Height (Min) | 16-3/4" |
| Cut-Out Width | 30" |

Microwave Oven Specifications

| | |
|------------------------------|---------|
| Frequency (Mhz) | 2450 |
| Interior Light Wattage | 1.2 |
| Microwave Turntable Diameter | 13-5/8" |
| Watts | 1000 |

General Specifications

| | |
|--------------------|-------|
| Interior Light | LED |
| PROP 65 Label | Yes |
| Turntable Material | Glass |

Internal Specifications

| | |
|---------------------------|----------|
| Oven Interior | White |
| Microwave Interior Depth | 14-9/16" |
| Microwave Interior Height | 10-9/16" |
| Interior Light | Yes |
| Microwave Interior Width | 21-3/32" |

Vent & Light System

| | |
|-------------------------------------|----------------------------|
| Auto-start Heat Sensor | Yes |
| Charcoal Filter | Yes - 1 |
| Cooktop Light | High Night Off |
| Ducted / Ductless Vent Installation | Yes |
| Exhaust Fan Speeds | 2 speeds - Off 105 300 CFM |
| Grease Filter (Dishwasher Safe) | Yes - 2 |
| Heat Deflector | No |
| Lights | 2 |
| Vent Style | Hidden |

Certifications & Approvals

| | |
|-----------------|-----|
| ADA Compliant | No |
| CDRH Approval | Yes |
| ETL Listed | No |
| NSF® Certified | No |
| UL/cUL Approval | Yes |

Controls

| | |
|-----------------------|----------------------|
| Add 30 Seconds | Yes |
| Clock | Yes |
| Controls | Glass Touch |
| Display Color | White |
| Display Type | LED |
| Electronic Clock | Yes |
| Numeric Touch Pad | Yes |
| Power Levels | High / 1-9 |
| Quick Settings (Time) | No |
| Start Button | Yes |
| Stop / Cancel Button | Yes |
| Timer Function | Yes 99:99 |
| Touch Pad Buttons | 28 |
| Turntable On / Off | Yes - Under Settings |

Microwave Oven Controls

| | |
|-------------------------------|---|
| Auto Defrost (Keep Warm) | No |
| Baked Potato | Yes - 1 - 4 |
| Chicken Nuggets | No |
| Defrost Options | Yes - Weight & Time |
| Keep Warm | No |
| Melt/Soften | Yes - Melt Butter Melt Chocolate Soften Ice Cream Soften Cream Cheese |
| Multi-Stage Cooking Option(s) | No |
| Popcorn | Yes - Options for 1.75/3.0/3.3 oz. |
| Quick Start | No |
| Reheat Option(s) | Yes - Soup/Sauce Pizza Dinner Plate Casserole/Pasta Roll/Muffin |
| Sensor Cook Options | Yes - Bacon Frozen Dinner White Rice Frozen Breakfast |
| Snack Option(s) | No |
| Start Button | Yes |
| Stop Button | Yes |

User Modes

| | |
|------------------------------------|----------------------------|
| Child Lock | Yes - with Stop/Cancel Key |
| Clock | Yes |
| Demo Mode | Yes |
| Language (En/Fr/Sp) | Yes |
| Audible Signal On/Off / Adjustable | On / Off |
| User Selectable Weight (lb/kg) | Yes |
| User Preferences | Yes |

Electrical Specifications

| | |
|-----------------------------------|----------------|
| Amps @ 120 Volts | 13.5 |
| Connected Load (kW Rating) @ 120V | 1.55 |
| Power Supply Connection Location | Right Rear Top |
| Voltage Rating | 120V 60Hz |

Capacities

| | |
|--------------------|-----|
| Capacity (Cu. Ft.) | 1.9 |
|--------------------|-----|

FRIGIDAIRE GALLERY.

FGBM19WNVF
FGBM19WNVD

Available Colors : Stainless Steel, Black Stainless Steel

Version : 10/19

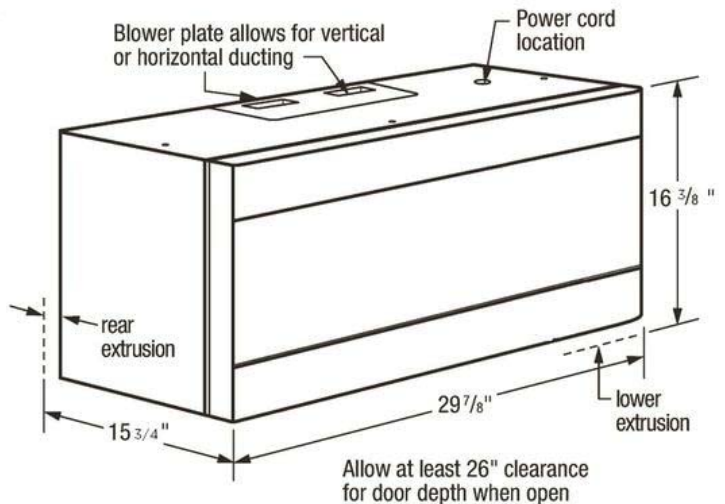
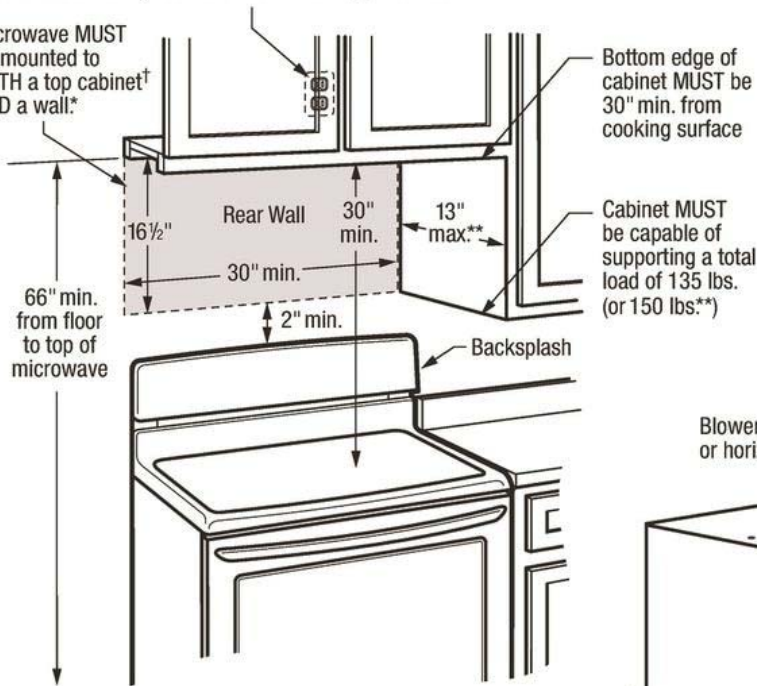
Over-The-Range Microwave

1.9 Cu. Ft. Over-The-Range Microwave

Installation Drawing

Locate 120V/60Hz grounded outlet inside upper cabinet

Microwave MUST be mounted to BOTH a top cabinet† AND a wall.*



†When installing beneath smooth, flat cabinets, refer to cabinet template for detailed power cord clearance instructions

*Can NOT be installed in island or peninsula cabinet arrangements

**If cabinet depth (including doors) is deeper than 13", unit MUST be spaced out from rear wall using adequate materials (supporting 150 lbs.) to allow proper top vent air exhaust/intake

Note: For planning purposes only. Always consult local and national electric, gas and plumbing codes. Refer to Product Installation Guide for detailed installation instructions on the web at frigidaire.com/frigidaire.ca. Specifications subject to change. Accessories information available on the web at frigidaire.com/frigidaire.ca