

JRP28SK

GE® 24" Built-In Double Wall Oven

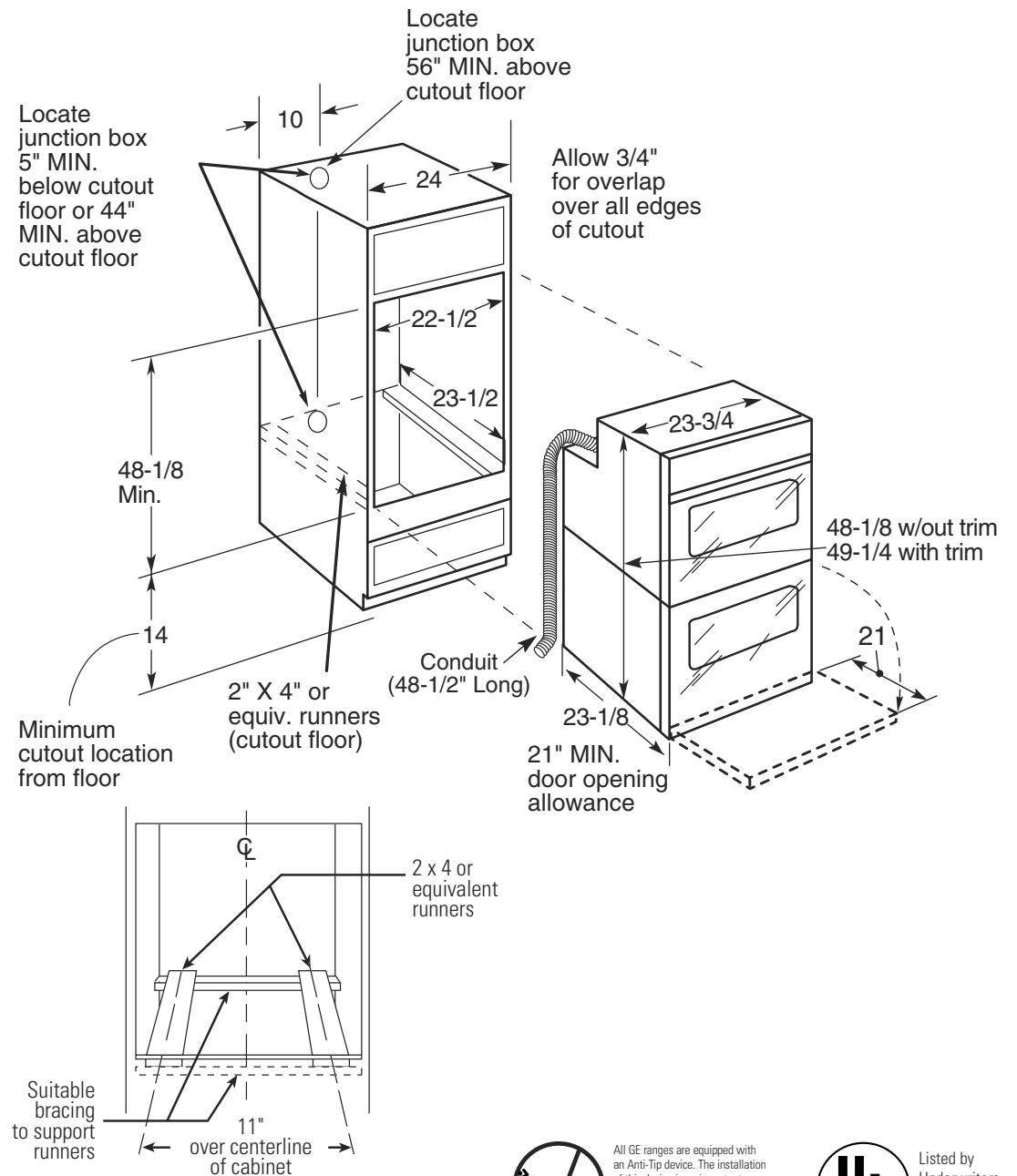
Dimensions and Installation Information (in inches)

KW Rating	
240V	7.1
208V	5.3
Breaker Size	
30 Amps†	

†Check local codes for required breaker size.

Note: Cabinets installed adjacent to wall ovens must have an adhesion spec of at least 194° temperature rating.

Installation information: Before installing, consult installation instructions packed with product for current dimensional data.



For answers to your Monogram®, GE Profile™ or GE® appliance questions, visit our website at ge.com or call GE Answer Center® service, 800.626.2000.



All GE ranges are equipped with an Anti-Tip device. The installation of this device is an important, required step in the installation of the range.



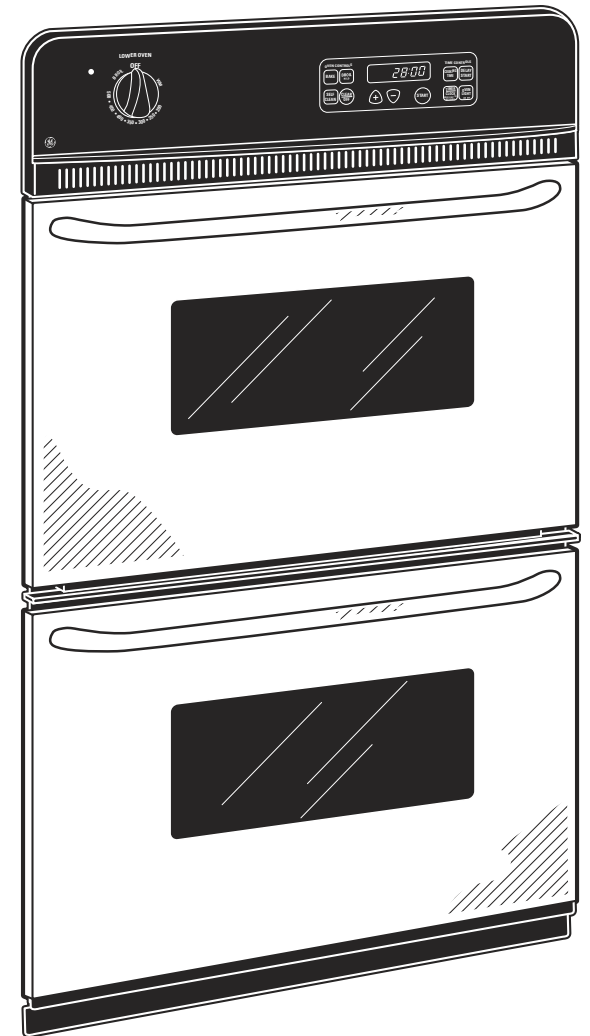
Listed by Underwriters Laboratories

JRP28SK

GE® 24" Built-In Double Wall Oven

Features and Benefits

- Self-clean oven – Conveniently cleans oven cavity without the need for scrubbing
- Electronic oven controls (upper oven only) – One-touch electronic pads located on the upper oven are easy-to-use and allow for simple oven operation
- ClearView™ window – Provides a convenient viewing area to check the progress of food
- Interior oven light – Supplies light to make viewing the progress of cooking easy and convenient
- Two oven racks – Feature a durable construction to help accommodate any size or type of cookware
- Multiple oven rack positions – Deliver flexibility and allow consumers to make the most of available oven capacity
- Certified Sabbath mode – Prepared foods stay warm in accordance with kosher law
- Model JRP28SKSS - Stainless steel



imagination at work