

FRIGIDAIRE

GALLERY



24" Single Electric Wall Oven with Air Fry

Single Wall Oven

Available Products: GCWS2438AB, GCWS2438AF, GCWS2438AW

Available Colors: Black, Stainless Steel, White

Version: 12/22

Product Specifications

Cooking Controls

Air Fry	Yes
Bake	Yes
Bread Proof	Yes
Broil	Yes
Cancel	Yes
Clock	Yes
Convection Bake	Yes
Convection Roast	Yes
Cook Time	Yes
Delay Start	Yes
Keep Warm	Yes
Kitchen Timer	Yes
My Favorite	Yes
Off	Yes
Oven Light	Yes
Preheat	Yes
Quick Preheat	Yes
Self Clean	Yes
Start	Yes
Start Time	Yes
Steam Bake	Yes
Steam Clean	Yes
Steam Roast	Yes
Stop	Yes
User Preferences	Yes

Storage

Storage Compartment	Yes
Storage Door Type	Drop-Down Door

Display

Control Location	Front
Display Type	Capacitive Touch

Electrical Specifications

Amps @ 240 Volts	20 Amps
Connected Load @ 240V	3.4 kW
Voltage Rating	240 V

Certifications and Approvals

ADA Compliant	Yes
Star-K Certification	Yes

Oven

Bake Element	1,000 Watts
Bake Element Type	Hidden
Broil Element	3,000 Watts
Convection	Yes
Convection Element	2,200 Watts
Convection Type	True
Number of Convection Fans	1
Number of Rack Positions	5
Oven Interior Color	Midnight Black
Oven Light Quantity	1
Oven Light Type	Halogen
Oven Light Watts	40 Watts
Rack Position Type	Embossed
Rack Type 1	Flat
Rack Type 1 Quantity	2
Window Type	Large

Controls

Control Lock	Yes
Sabbath Mode	Yes

Dimensions and Volume

Height	28 5/8"
Width	23 1/2"
Depth	22 3/4"
Depth With Door 90° Open	40 15/16"
Depth With Handle	25 3/16"
Oven Interior Height	15 1/2"
Oven Interior Width	18 11/16"
Oven Interior Depth	17 3/8"
Minimum Cutout Height	28 1/4"
Minimum Cutout Width	22"
Minimum Cutout Depth	23 1/2"
Maximum Cutout Height	28 1/2"
Maximum Cutout Width	22 1/2"
Oven Capacity	2.8 Cu. Ft.

General Specifications

Prop 65 Label	Yes
Warranty - Labor	1 Year
Warranty - Parts	1 Year

For planning purposes only. We reserve the right to change specifications or discontinue models without notice. Refer to Product Installation Guide for detailed installation instructions on the web at frigidaire.com/frigidaire.ca
Electrolux Major Appliances, N.A.

USA • 10200 David Taylor Drive • Charlotte, NC 28262 • Charlotte, NC 28262 • 1-877-4electrolux (1-877-435-3287) • frigidaire.com
CANADA • 5855 Terry Fox Way • Mississauga, ON L5V 3E4 • 1-800-265-8352 • frigidaire.ca

Accessories

Optional Air Fry Tray Part Number

FG24AIRFTRY

Safety Certifications and Approvals

UL Listed

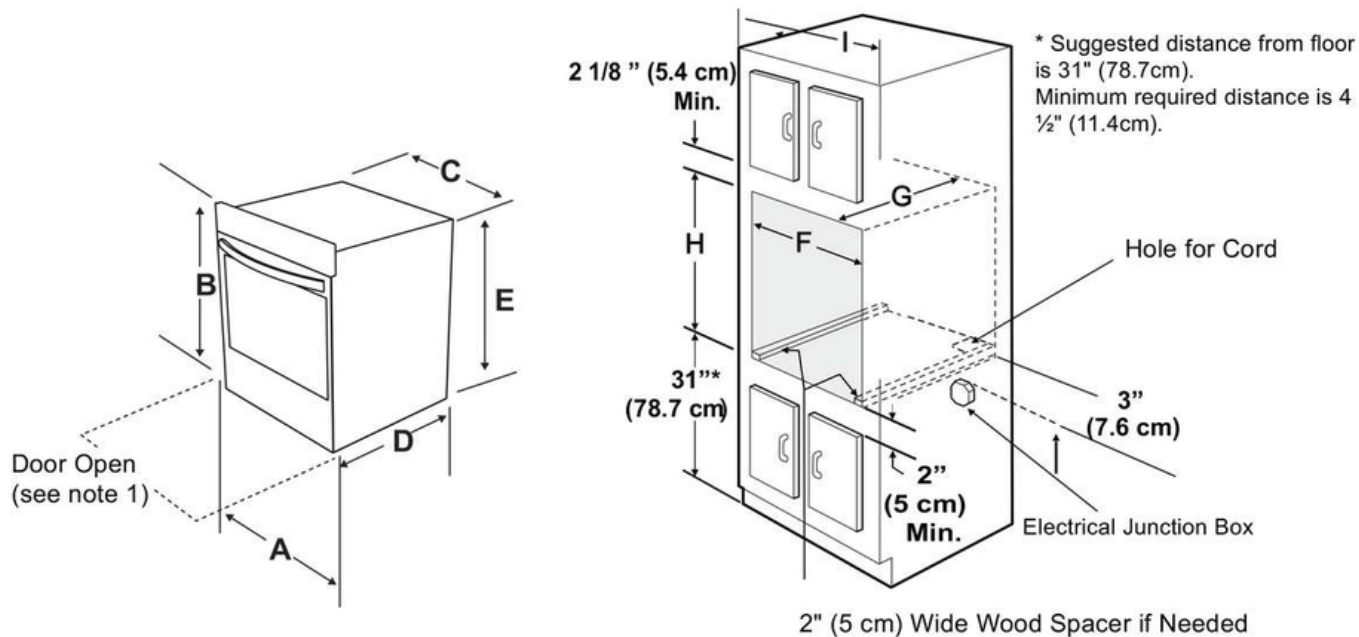
Yes

RoHS

Yes

Installation Diagram

WALL OVEN INSTALLATION



NOTES:

1. Allow at least 21" (53.3 cm) clearance in front of oven for door depth when it is open.
2. Dimension G (cutout depth) is critical to the proper installation of the built-in oven. If the oven trim does not butt against the cabinet, or if noise is heard on convection models, verify dimension G to assure it is the required depth.
3. For a cutout height greater than the standard maximum height (28.5in/72.4cm) up to 28-7/8in (79.3cm), add one 2" (50mm) wide wood shim of appropriate height to each side of the opening under the appliance side rails. See Page 6 for more detail.
4. If the cabinet cutout is more than the minimum dimension, the oven trim must be installed.

Figure 1
24" Single Wall Ovens

PRODUCT DIMENSIONS					
A	B	C	D		E
23 1/2 (59.6 cm)	28 5/8 (72.7 cm)	21 7/8 (55.5 cm)	22 3/4 (57.9 cm)		28 1/4 (71.8 cm)
CUTOUT DIMENSIONS AND CABINET WIDTH					
F		G	H. Standard Height (**Others, see note 3)		I
Min.	Max.	Min.	Min.	Max.	
22 (55.8 cm)	22 1/2 (57.2 cm)	23 1/2 (59.7 cm)	28 1/4 (71.8 cm)	28 1/2 (72.4 cm)	24 (61 cm) Min