

# GTW720BPN/BSN

GE® 4.8 Cu. Ft. Capacity Washer with Tide PODS™ Dispense

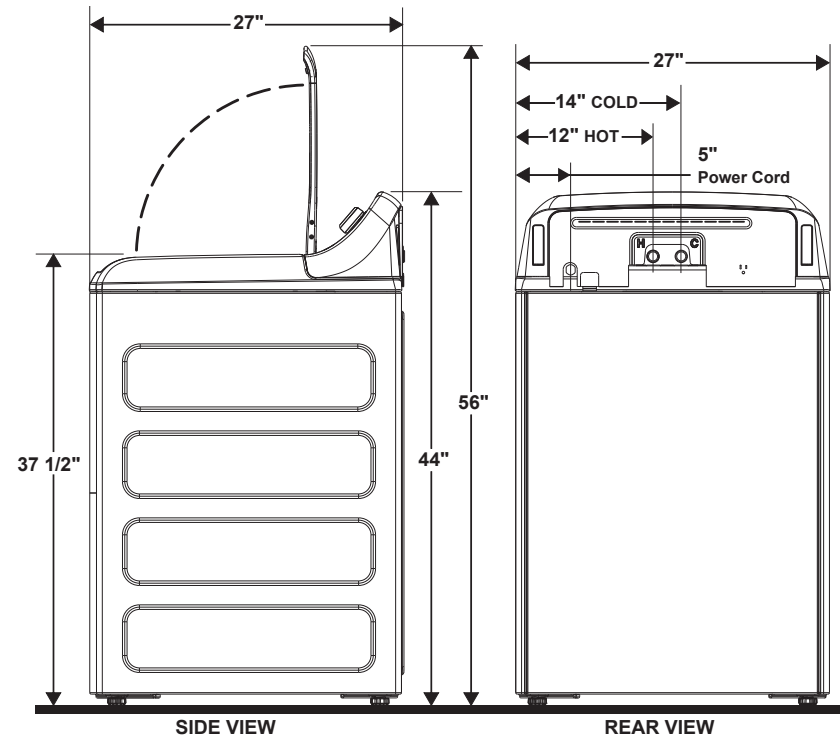
## DIMENSIONS AND INSTALLATION INFORMATION (IN INCHES)

**CIRCUIT REQUIREMENTS:** An individual, properly-grounded branch circuit, with a three-prong grounding-type receptacle, protected by a 15 or 20 amp circuit breaker or a time-delay fuse, is required.

**ELECTRICAL RATING:** 120V, 60Hz, 10A

**NOTE:** Washer wall outlet must be located within 36" of service code entry. Wall outlet must not be located behind dryer.

**INSTALLATION INFORMATION:** Before installing, consult installation instructions packed with product for current dimensional data.



For answers to your Monogram, GE Café™ Series, GE Profile™ Series or GE Appliances product questions, visit our website at [geappliances.com](http://geappliances.com) or call GE Answer Center® Service, 800.626.2000.



Specification Created 7/19

# GTW720BPN/BSN

## GE® 4.8 Cu. Ft. Capacity Washer with Tide PODS™ Dispense

### FEATURES AND BENEFITS

**Tide PODS™ Dispense** – Achieve an optimal clean every time thanks to a dedicated water jet that pierces the detergent pack while a shower of water activates the detergent, for faster activation and increased cleaning power.

**QuietWash** – Enjoy a quieter wash and reduced vibration thanks to innovative Dynamic Balancing Technology.

**Stain Removal Guide** – Easily remove five of the most common stains with preset modifications available on each wash cycle.

**Deep Fill** – Customize your water-fill levels with just the touch of a button and fill the tub with as much water as you want so you can wash your way.

**Multiple Rinse Options** – Ultimate flexibility with your rinse cycles to remove detergent, fabric softener, and stubborn soils with options like Deep Rinse, Extra Rinse and Warm Rinse.

**10-year warranty** – Rest assured knowing your washer is backed by a 10-year warranty.

**Sanitize with Oxi** – Remove 99.9% of bacteria with a dedicated cycle that uses an Oxi additive to boost your detergent's cleaning power, while keeping fabrics looking and feeling their best.

**Auto Soak** – Loosens stains by soaking for up to 2 hours.

**Speed Wash** – Provides a quick wash for lightly soiled items that are needed in a hurry.

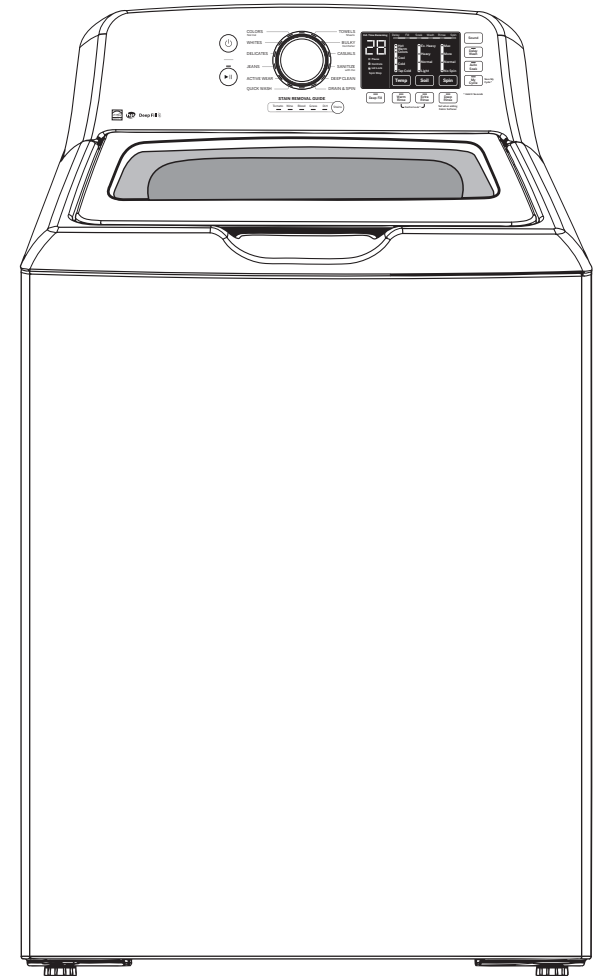
**Automatic Dispensing** – Provides total dosing flexibility for liquid detergent, powder detergent, detergent packs, softener, and bleach by dispensing at the right time for the best results.

**Wash Cycles** – Offers 12 unique wash cycles to provide an ultimate clean for any load.

**800-RPM spin speed** – Fast speeds remove more water during the spin cycle to minimize drying time.

Model GTW720BSNWS – White with silver backsplash

Model GTW720BPNDG – Diamond Gray



For answers to your Monogram, GE Café™ Series, GE Profile™ Series or GE Appliances product questions, visit our website at [geappliances.com](http://geappliances.com) or call GE Answer Center® Service, 800.626.2000.