

30" Dual Fuel Slide-in Range 800 Series - Stainless Steel HDI8054U



Features and Benefits

Design

- Touch Control for Easier Operation of the Oven
- Heavy-duty Metal Knobs for a Premium Look and Feel
- Low-profile Design for an Integrated Appearance
- Stainless Steel Maintop

Performance

- 11 Specialized Cooking Modes - Gourmet Cooking Made Easy
- Genuine European Convection for Even Baking Results on Multiple Racks.
- Temperature Conversion for Convection Cooking
- Meat Probe Takes Guesswork Out of Cooking
- Fast Preheat Reduces Preheat Time

Convenience

- 5 Burners Add Flexibility to your Cooking
- Two Oven Lights to Better Monitor Cooking Progress
- Kitchen Timer
- Extra Large Door Window for Easy Monitoring of Cooking Process
- Star-K certified. 100°-450° F

Capacity

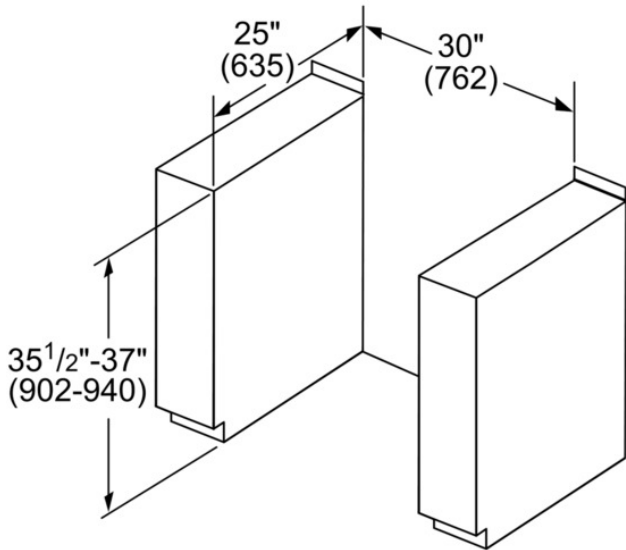
- Large Capacity at 4.6 Cu Ft.
- Recessed 8 Pass Broil Element for Increased Capacity and Safety

Notes: All height, width and depth dimensions are shown in inches. *Please refer to installation instructions prior to making cutout. BSH reserves the absolute and unrestricted right to change product materials and specifications, at any time, without notice. Consult the product's installation instructions for final dimensional data and other details. Applicable product warranty can be found in a accompanying product literature or you may contact your account manager for further details.

For more information on our entire line of products, go to boschappliances.com or call 1-800-944-2904.
Copyright ©2014 BSH Home Appliances Corporation. All rights reserved. Bosch is a registered trademark of Robert Bosch GmbH.

Litho Date: 03/2014

30" Dual Fuel Slide-in Range 800 Series - Stainless Steel HDI8054U



measurements in mm

Features

Total number of cooktop burners	5
Cooking method primary cavity	Convection Bake, Convection Roast, Dough proving, Half width variable grill, pizza setting, Sabbath function, Selfcleaning pyrolytic, Small hot air grill, Top/bottom heat, Warming, Warming drawer
Cleaning system - primary cavity	, Self Clean
Oven Control	electrical
Knob Material	Full metal
Included accessories	1 x nozzle set for liquid gas, 1 x Telescopic rack, 3 x cast iron pan support, 3 x Oven racks /upper, 1 x Temperature probe / upper, 1 x island trim
Sealed Burners	Yes
Number of Double grates	2
Bake Element Wattages primary cavity (W)	2400
Broil Element Wattages primary cavity (W)	
Convection Element Wattages primary cavity (W)	2000
Number of gas burners	5
Location of 1st heating element	front left
Power of 1st burner (BTU)	10000
Location of 2nd heating element	back left
Power of 2nd burner (BTU)	5000
Location of 3rd heating element	middle back
Power of 3rd burner (BTU)	18000
Location of 4th heating element	back right
Power of 4th burner (BTU)	5000
Location of 5th heating element	front right
Power of 5th burner (BTU)	15000
Location of 6th heating element	
Power of 6th burner (BTU)	
Power of griddle element	
Display	red, white
Safety device	automatic reignition, Thermostat

Technical Specification

UPC code	825225907091
Product color	Stainless steel
Gas type	Natural gas 15 mbar (USA)
Alternative gas type	Liquid gas 27.5

Notes: All height, width and depth dimensions are shown in inches. *Please refer to installation instructions prior to making cutout. BSH reserves the absolute and unrestricted right to change product materials and specifications, at any time, without notice. Consult the product's installation instructions for final dimensional data and other details. Applicable product warranty can be found in a accompanying product literature or you may contact your account manager for further details.

For more information on our entire line of products, go to boschappliances.com or call 1-800-944-2904.
Copyright ©2014 BSH Home Appliances Corporation. All rights reserved. Bosch is a registered trademark of Robert Bosch GmbH.

Litho Date: 03/2014

variable cooker height (in)	1"
AHAM usable cavity size	2
Product packaging dimensions (HxWxD) (in)	43 3/4" x 34" x 31 1/2"
Net weight (lbs)	221
Gross weight (lbs)	243