

A STUNNING OPTION IN INSERT VENTILATION. The updated Inca Lux by Faber features a sleek stainless panel which hides the grease filters behind it and reduces noise. With this advanced Perimetric filter system, the hood doesn't have to work as hard to get the job done. With advanced electronic controls, VAM for CFM management, an optional remote control and LED lights, the Inca Lux packs a lot of features in small body that fits into 12" deep cabinets.



## AVAILABLE MODELS

Model #	Size / Color	Set your CFM level	Sound Levels (sones)
INLX21SSV	21" Stainless	295, 395, 600 CFM	2.8 - 7.5
INLX28SSV	28" Stainless	295, 395, 600 CFM	2.8 - 7.5
INLX35SSV	35" Stainless	295, 395, 600 CFM	2.8 - 7.5

**Note: Set to 600 CFM motor class out of the box.**

## KEY FEATURES



### Backlit Electronic Controls

Backlit electronic controls with a White LED light to indicate the current speed and LED lighting. Now you can adjust CFM's at installation from the control buttons.



### Perimetric Filter System

Stainless panel increases efficiency and decreases noise levels



### Remote Control (optional)

Control all features of the hood from the convenience of a ADA compliant wireless remote control (sold separately)



### Easy Snap Mounting Clips

Installation with easy with built-in adjustable clips that tighten onto the sides of the cabinet floor

# INCA LUX INSERT RANGE HOOD

**FABER**  
AIR MATTERS

## SPECIFICATIONS

cut out dimensions	19 1/2" or 26 9/16" w x 10 1/4" d
cut out demensions 35"	32 7/8 "w / 10 1/4" d
convertible to ductless / recirculating	yes - with FILTER1 / FILTER1LL
controls	4 speed electronic w/ white led
<b>Variable Air Management</b>	<b>Yes (set to 295, 395, 600 CFM)</b>
lighting	2 x 5 (w) LED - one level
ducting top	6" round
grease filters	dishwasher safe mesh
perimetric filtration system	yes
10 minute intensive speed	yes
15 minute auto shut off	yes
Power cord	yes- wirebox optional
ADA compliant	yes (with remote control purchase)
power cord included	yes
AC power	400 watts / 3.2 amps

## PERFORMANCE

	SPEED	1	2	3	BOOST
CFM		150	295	395	560
Sones		2.8	4.3	6.0	7.5

## ACCESSORIES

### # FILTER1 - Charcoal Filter Kit

High quality charcoal filter for use when recirculating the air back into the kitchen. Filters out odor and should be replaced every 6 months

### # FILTER1LL - Long Lasting Charcoal Filter Kit

New washable charcoal filter can be recharged and washed up to 8 times. For use when recirculating the air back into the kitchen. Filters out odor and can last up to 4 years.

### # WIREBOX - Fixed Wiring Box

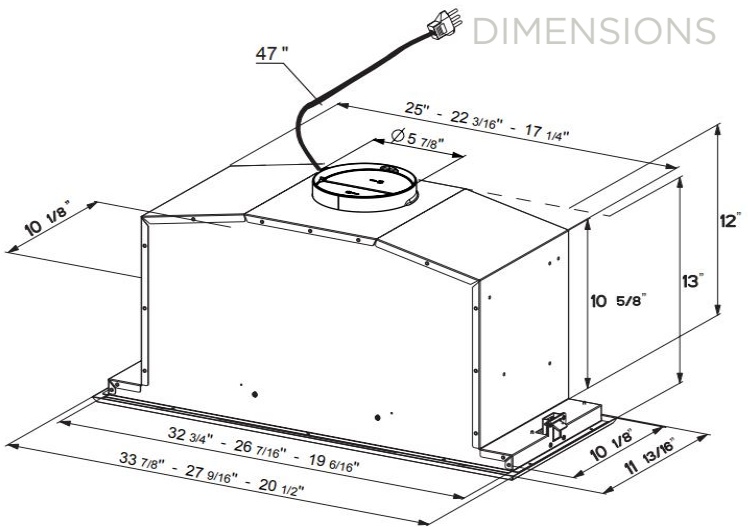
Replace the power cord with a hard wired box to power the range hood

### # LINE30ST / LINE36ST - Stainless Steel Liner 30 & 36" - (INLX28SSV ONLY)

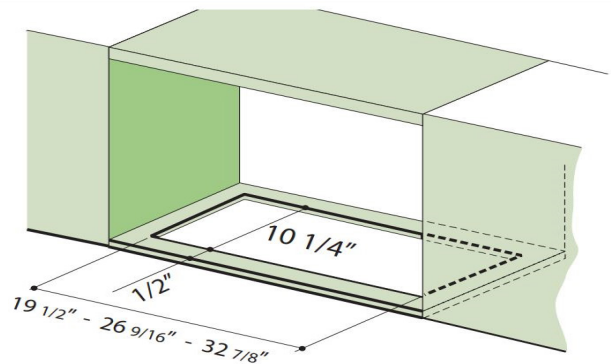
Create a perfectly-sealed, non- combustible 4" tall perimeter to "line" the wood below the hood. Depth adjustable from 16" - 17 7/8" .

### # MUDAMPER6 / MUDAMPER8 - Universal Make-Up Air Damper

Satisfies make-up air requirements, this kit uses an air switch to activate the make-up air damper to open and bring fresh air into the home when the hood fan is on. It then closes tightly when the hood is off. The CFM level is not reduced with this accessory.



Overall



Cut Out

### # REMCTRL2 - Remote Control

Control all features of the hood from the convenience of a ADA compliant wireless remote control.

### # LINE36PT- Stainless Steel Liner 36 (INLX35SSV ONLY)

Create a perfectly-sealed, non- combustible 4" tall perimeter to "line" the wood below the hood. Depth adjustable from 16" - 17 7/8" .

### # LINE24ST- Stainless Steel Liner 24 (INLX21SSV ONLY)

Create a perfectly-sealed, non- combustible 4" tall perimeter to "line" the wood below the hood. Depth adjustable from 16" - 17 7/8" .

WARNING! Product specifications are subject to change without notification. Consult the installation instructions before you begin installing this range hood. \* Check local make up air codes for guidelines.

