

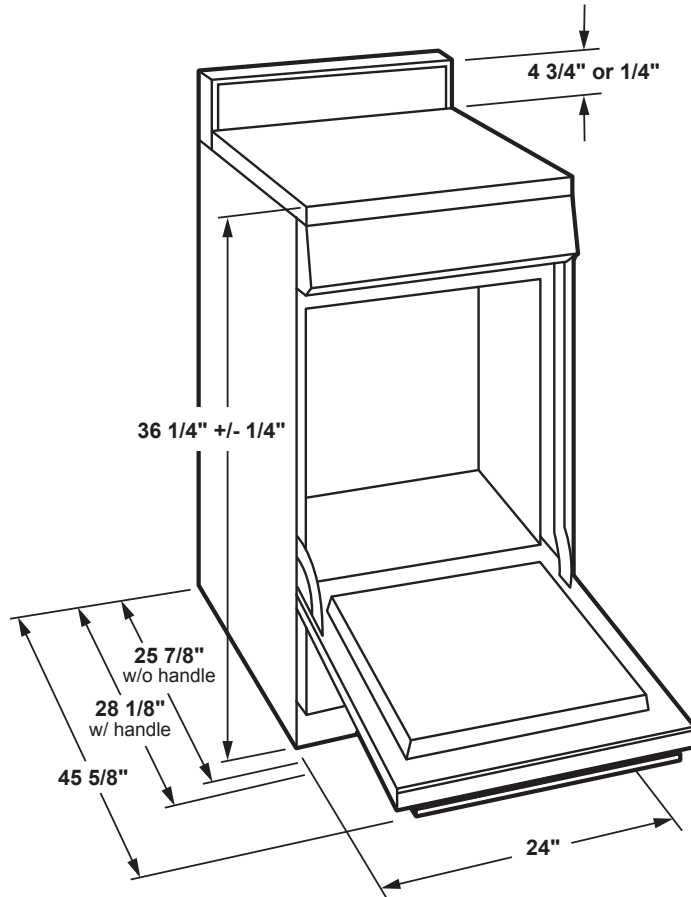
JGAS640RMSS

GE® 24" Steam Clean Free-Standing/Slide-in Gas Range

DIMENSIONS AND INSTALLATION INFORMATION

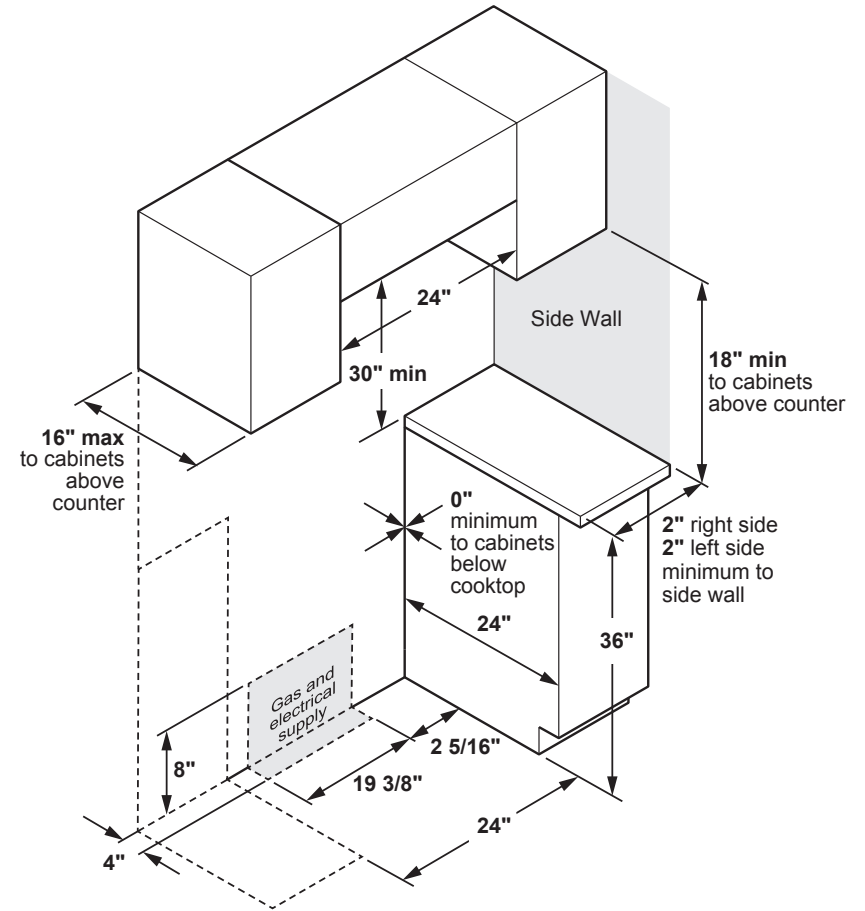
ELECTRICAL RATING: 120V, 60Hz, 15A

INSTALLATION INFORMATION: Before installing, consult installation instructions packed with product for current dimensional data.



DIMENSIONS AND CLEARANCES (CONT.)

GAS PIPE AND ELECTRICAL OUTLET LOCATIONS



For answers to your Hotpoint product questions, visit our website at hotpoint.com or call or call 800.626.2000.



All GE Appliances ranges are equipped with an Anti-Tip device. The installation of this device is an important, required step in the installation of the range.

Specification Revised 7/18

JGAS640RMSS

GE® 24" Steam Clean Free-Standing/Slide-in Gas Range

FEATURES AND BENEFITS

Front controls – Minimize need to reach

Edge-to-edge cooktop with heavy-cast grates – Enjoy the versatility of a large cooking surface on the stove that can handle lots of cookware combinations

In-oven broil – Healthy meals are hassle-free with in-oven broiling

Sealed cooktop burners – Contains spills and make cleaning quick and easy

Steam clean – Save time and effort by steam-cleaning the oven after cooking. No special water, kits or extra steps required.

Modular backguard – Versatile design gives you the option of a traditional look, or flip down to create a slide-in appearance

Model JGAS640RMSS – Stainless steel

