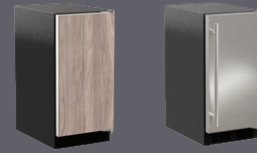


## Fresh Living Tip

Expert bartenders insist that ice is the most important ingredient and choosing the right kind can make or break your drink. The purer the ice, the better a drink will taste as the ice melts. And, clarity is the best indicator for purity, as is the case with the Marvel Clear Ice Machine, considered the clearest, most pure ice available for residential use.

## FINISH OPTIONS



# 15" Marvel Low Profile Clear Ice Machine

MACP215 & MACL215

### Performance

- Discretely quiet operation with Silent Mode option
- Engineered to consistently produce pure ice with exquisite clarity and slow melt
- Uniform ice size and compact density
- Produces up to 39 pounds of clear ice daily, the equivalent of nearly eight convenience-store bags of ice
- Large-capacity bin stores up to 23 pounds of clear ice, while preserving quality and assuring fresh ice production
- Ice scoop holder included
- Single-connection water fitting for simple installation
- Thermal-efficient cabinet insulates cooling environment and ensures optimum energy efficiency while maximizing capacity

### Convenient Controls

- Integrated controls feature convenient settings and programmability
- Audible alerts, cleaning reminders and Sabbath Mode
- Silent Mode automatically postpones operation by 3 hours

### Fit & Finish

- Low profile, ADA-compliant height allows for universal installation applications
- Illuminice arctic white LED light casts a dazzling illumination effect
- Elegant midnight black monochromatic interior
- Easy-to-clean interior surface
- Reversible door allows for right or left swing for adaptable installation
- Black toe kick adjustable to 4" with leveling legs

### Warranty

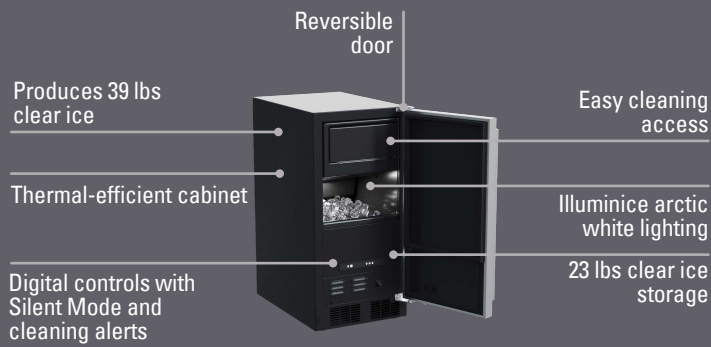
- 1-year parts and labor warranty and 5-year sealed system parts warranty



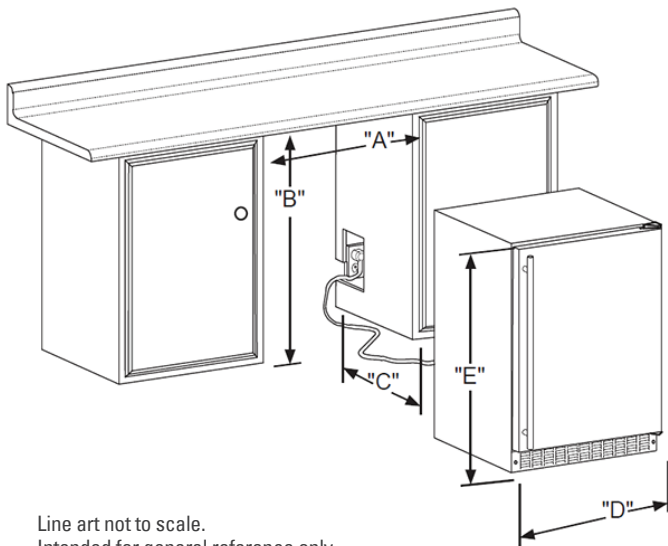
*Much like a fine chocolatier slowly tempers chocolate to a solid state for the best quality and flavor, Marvel Clear Ice employs a fractional freezing process to create high-density, slow-melting ice with the ultimate clarity and purity. As water runs over the cold plate, pure water freezes first. Dissolved solids are carried away into the water reservoir, giving you crystal-clear ice that cools your drinks without affecting the flavor.*

DOOR STYLE	PUMP	MODEL NUMBER
Solid Panel Ready	Yes	MACP215-IS01B
Solid Panel Ready	No	MACL215-IS01B
Solid Stainless Steel	Yes	MACP215-SS01B
Solid Stainless Steel	No	MACL215-SS01B

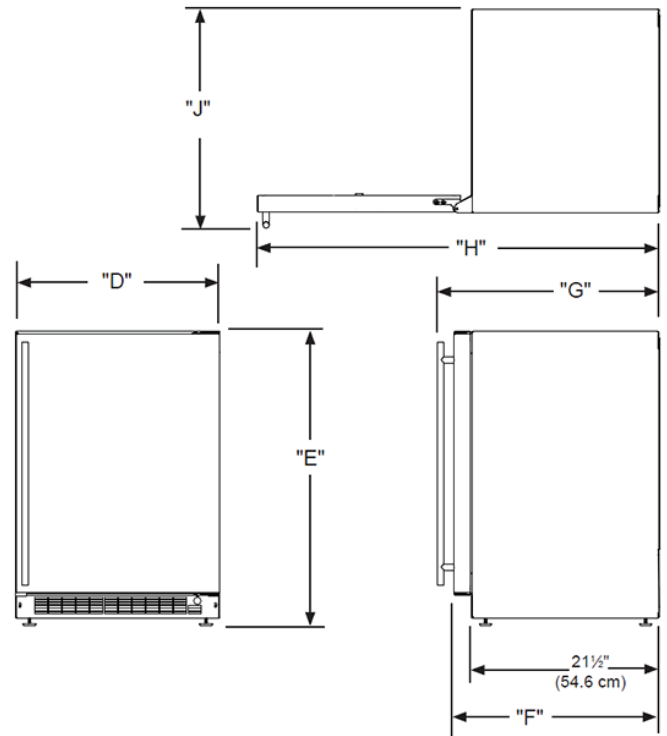




H: 31 1/8" W: 14 7/8" D: 25 21/32" (with handle)



Line art not to scale.  
Intended for general reference only.



**Rough In Dimensions\***

"A"	"B"	"C"
15"	31-1/4" to 32-1/4"	24"
(38.1 CM)	(79.4 CM to 81.9 CM)	(61 CM)

**Cabinet Dimensions\***

"D"	"E"	"F"	"G"	"H"	"J"
14-7/8"	31-1/8" TO 32-1/8"	23-5/8"*	25-21/32"*	37-3/8"*	16-5/8"*
(37.8 CM)	(79.1 CM TO 81.6 CM)	(60 CM)	(65.2 CM)	(146.6 CM)	(42.3 CM)

\*Stainless steel model dimensions only. For panel-ready models, see the owner's guide online at [marvelrefrigeration.com](http://marvelrefrigeration.com).

<b>Capacity</b>	23 lbs
<b>Control Type</b>	Electronic
<b>Sabbath Mode</b>	Yes
<b>Temperature Range</b>	N/A
<b>Handle Style</b>	Slim (handle not included on panel-ready models)
<b>Hinge Type</b>	Reversible
<b>Interior Lighting</b>	Illuminice White LED
<b>Shelving System</b>	N/A
<b>Toe Grille Finish</b>	Black

<b>Lock</b>	No
<b>Electrical Requirements</b>	115V / 60 Hz / 15A
<b>Cord Length</b>	6 FT.
<b>Shipping Dimensions</b>	19" W x 31" D x 37" H
<b>Shipping Weight</b>	125 LBS
<b>Agency Approval</b>	UL
<b>Refrigerant Type</b>	R600a

For comprehensive installation instructions, including panel overlay details, please visit [marvelrefrigeration.com](http://marvelrefrigeration.com) to access the owner's guide.

