

# ME21M706BAS

SAMSUNG

## Samsung Over-the-Range Microwave

2.1 cu. ft. Capacity



### Signature Features

#### Precise Glass-Touch Controls

- Glass touch provides precise controls with a seamless, integrated design.

#### Sensor Cook

- Automatically adjusts cooking time for optimal results.

#### Fingerprint Resistant

- Special coated exterior ensures your microwave remains spotless even with daily use.

### Available Colors

#### Standard Finishes



Fingerprint Resistant  
Stainless Steel (shown)



Fingerprint Resistant  
Black Stainless Steel

#### BESPOKE Finishes



Fingerprint Resistant  
Tuscan Steel



Fingerprint Resistant  
Navy Steel



White Glass



Precise Glass-Touch Controls



Sensor Cook

### Features

- Extra-Large 2.1 cu. ft. Capacity
- 1000 Watts of Cooking Power
- 400 CFM Ventilation System
- Ceramic Enamel Interior
- Recessed Handle
- LED Cooktop Lighting
- Simple Clean Filter
- Charcoal/Grease Vent Filter
- 10 Power Levels
- Two-Stage Programmable Cooking
- Smart & 1- Pound Defrost
- Auto Cook
- Chrome Rack
- LED Display

### Convenience

- Kitchen Timer
- Clock (12 hr/24 hr) with Daylight Saving Time Adjustment
- Child Safety Lock
- Reminder End Signal
- Cooktop Lighting (LED): High/Low/Off
- Vent Fan Control: On/Off/Delay Off
- Sound On/Off
- Eco Mode (Reduces Standby Power)

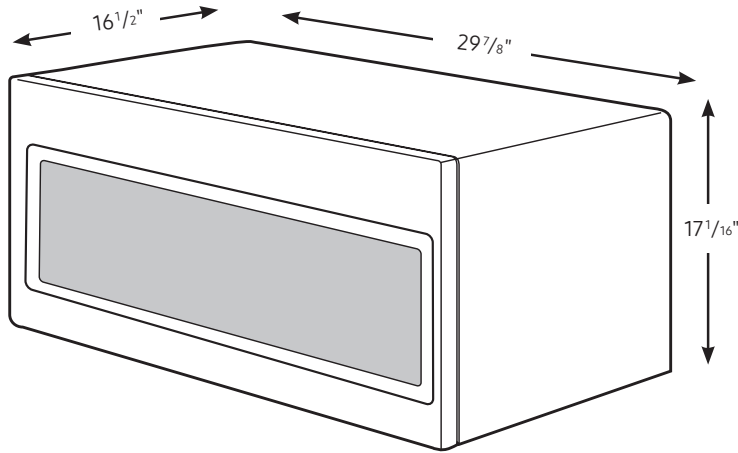
# ME21M706BAS

# SAMSUNG

## Samsung Over-the-Range Microwave

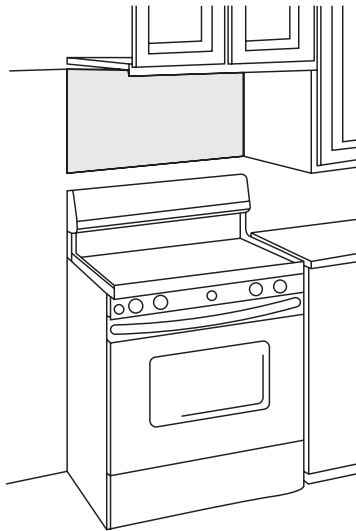
2.1 cu. ft. Capacity

### Dimensions



### Installing Your Microwave

- This microwave oven is designed for adaptation to the following three types of ventilation:
  - A. Outside Top Exhaust (Vertical Duct)
  - B. Recirculating (Non-Vented Ductless)
  - C. Outside Back Exhaust (Horizontal Duct)
- The space between the cabinets must be 30" wide and free of obstructions.
- This microwave oven is for installation over ranges up to 36" wide.
- The microwave must be level. Use a level to make sure the cabinet bottom is level. If the cabinets have a front overhang only, with no back or side frame, install the mounting plate down the same distance as the front overhang depth. This will keep the microwave level.



### Specifications

- Oven Cavity: 2.1 cu. ft.
- Power Output: 1000W
- Power Consumption: 1700W/14.5 A
- Power Source: 120V/60 Hz
- Control Method: Digital (Glass Touch)
- Display: LED (Ice Blue)
- Cooking Control: 10 Power Levels Including Defrost
- Cooking Timer: Digital, up to 99 Minutes, 99 Seconds
- Microwave Distribution System: Rotating Turntable + Stirrer
- Glass Turntable Diameter: 14 3/16"
- Chrome Rack (1)
- Vent Fan: 400 CFM
- Vent Fan Control: On/Off/Delay Off
- Cooktop Lighting: High/Low/Off
- Halogen Interior Light

### Warranty

One (1) Year All Parts and Labor  
Ten (10) Years on Magnetron

### Product Dimensions & Weight (WxHxD)

Cavity Dimensions: 22 1/8" x 10 13/16" x 14 1/4"  
Outside Net Dimensions: 29 7/8" x 17 1/16" x 16 1/2"  
Weight: 59.1 lbs.

### Shipping Dimensions & Weight (WxHxD)

Dimensions: 33 3/8" x 20 13/16" x 19 3/8"  
Weight: 69.4 lbs.

### Standard Finishes

Standard Finishes	Model #	UPC Code
Fingerprint Resistant Stainless Steel	ME21M706BAS	887276226132

Fingerprint Resistant Black Stainless Steel	ME21M706BAG	887276226125
---	-------------	--------------

### BESPOKE Finishes

Fingerprint Resistant Tuscan Steel	ME21R706BAT	887276317410
------------------------------------	-------------	--------------

Fingerprint Resistant Navy Steel	ME21A706BQN	887276586007
----------------------------------	-------------	--------------

White Glass	ME21B706B12	887276594804
-------------	-------------	--------------

FOR EASIER INSTALLATION AND PERSONAL SAFETY, WE RECOMMEND THAT TWO PEOPLE INSTALL THIS MICROWAVE OVEN. IMPORTANT: Do not grip or use handle during installation.

NOTE: If your cabinet is metal, use the nylon grommet around the power cord hole to prevent cutting of the cord.

NOTE: We recommend using filler blocks if the cabinet front hangs below the cabinet bottom shelf.

IMPORTANT: If filler blocks are not used, case damage may occur from over tightening screws.

NOTE: When mounting the microwave oven, thread power cord through hole in bottom of top cabinet. Do not pinch cord or lift oven by pulling cord.