

Fresh Living Tip

Wine storage temperature is critical to the optimum preservation of your wine, and when set perfectly, you'll experience the full flavor, aroma and character your wine is capable of delivering to your palate. See our Wine Storage Temperature Guide at blog.marvelrefrigeration.com.

FINISH OPTIONS



24" Marvel Single Zone Wine Refrigerator

MLWC024

Storage Adaptability

- 5.7 cu. ft. capacity stores up to 38 wine bottles
- (4) 8-bottle wine racks
- Extended lower interior maximizes storage options
- Accommodates a variety of bottle sizes including champagne and magnum bottles

Performance

- Dynamic cooling technology delivers precise temperature stability and frost-free operation for an optimal wine preservation environment
- Argon-filled, UV-resistant tinted dual pane glass door protects contents from damaging ultraviolet light and helps conserve energy

Convenient Controls

- Multifunction controls allow you to select a precise temperature from 34° F to 60° F
- Features easy-to-use settings and options

Fit & Finish

- Elegant midnight black interior and arctic white LED interior lighting
- Reversible door allows for right or left swing for adaptable installation
- (4) adjustable leveling legs and black toe kick

Warranty

- 1-year parts and labor warranty and 5-year sealed system parts warranty



Add a Marvel wine refrigerator to store or serve your wine collection at a targeted temperature, rather than an environment that changes and damages the integrity of its contents.

DOOR STYLE

Stainless Steel Frame Glass

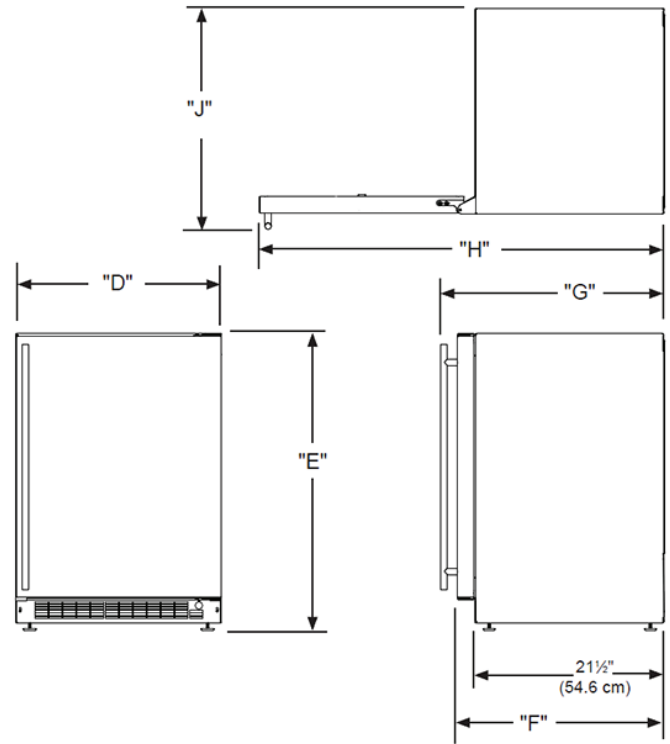
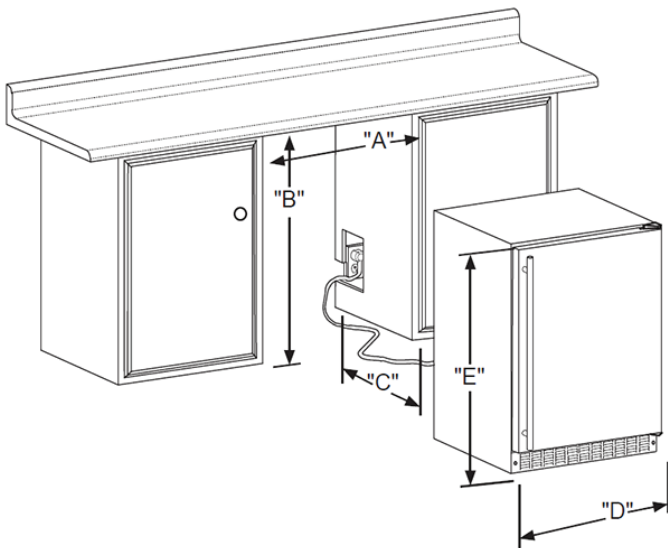
MODEL NUMBER

MLWC024-SG01A





H: 33 3/4" W: 23 7/8" D: 26 7/32" (with handle)



Rough In Dimensions

"A"	"B"	"C"
24"	34-1/4" to 35-1/4"	24"
(61 CM)	(87 CM to 89.5 CM)	(61 CM)

Cabinet Dimensions

"D"	"E"	"F"	"G"	"H"	"J"
23-7/8"	33-5/8" TO 34-5/8"	23-5/8"*	26-1/8"*	47-3/4"*	26-1/2"*
(60.7 CM)	(85.4 CM TO 87.9 CM)	(60 CM)	(66.3 CM)	(146.6 CM)	(67.3 CM)

Capacity	5.7 CU. FT.
Control Type	Electronic
Sabbath Mode	Yes
Temperature Range	34° F to 60° F
Handle Style	Slim
Hinge Type	Reversible
Interior Lighting	White LED
Shelving System	Fixed
Toe Grille Finish	Black

Lock	No
Electrical Requirements	115V / 60 Hz / 15A
Cord Length	6 FT.
Shipping Dimensions	28" W x 31" D x 37" H
Shipping Weight	135 LBS
Agency Approval	UL
Refrigerant Type	R600a

For comprehensive installation instructions, please visit marvelrefrigeration.com to access the owner's guide.

