

# NE63A6511SS

SAMSUNG

## Samsung Smart Freestanding Electric Range with No Pre-heat Air Fry & Convection

6.3 cu. ft. Capacity



### Signature Features

#### Air Fry

- A healthier way to prepare your favorite fried foods right in your oven with little to no oil.\* No preheating required.

\*As compared to deep frying. Air fry tray sold separately.

#### Convection

- Powerful convection saves you time by cooking food fast and more evenly.

#### Large Oven Capacity

- This large 6.3 cu. ft. oven can fit multiple dishes at one time.

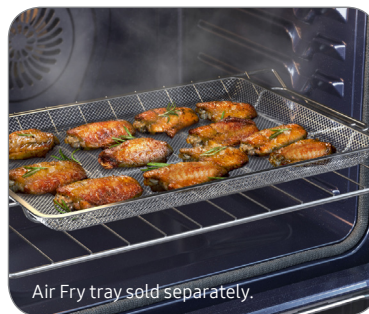
### Available Colors

 Fingerprint Resistant Stainless Steel (shown)

 Fingerprint Resistant Black Stainless Steel

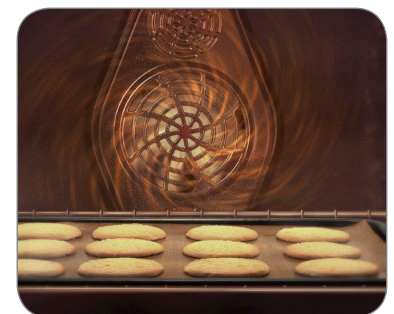
 Black

 White



Air Fry tray sold separately.

Air Fry



Convection

### Features

- Stainless Steel Design
- Air Fry – Tray Not Included
- Convection
- Large Oven Capacity – 6.3 cu. ft.
- Rapid Boil™ 3300 W
- Extra Oven Settings - Bread Proof, Dehydrate, Favorite Cook, Keep Warm
- Storage Drawer

- Flexible Cooktop:
  - Five Burner Cooktop
  - One Dual Ring Burner (9"/12")
  - One Dual Ring Burner (6"/9")
  - Two Single Burners (6")
  - One Warming Center (7")

### Convenience

- Wi-Fi Connectivity
- Voice-Enabled
- SmartThings Cooking
- Convection Auto Conversion
- Self & Steam Clean
- Hidden Bake Element
- Sabbath Mode
- Child Safety Lock
- Delay Start
- Auto Oven Light
- Kitchen Timer



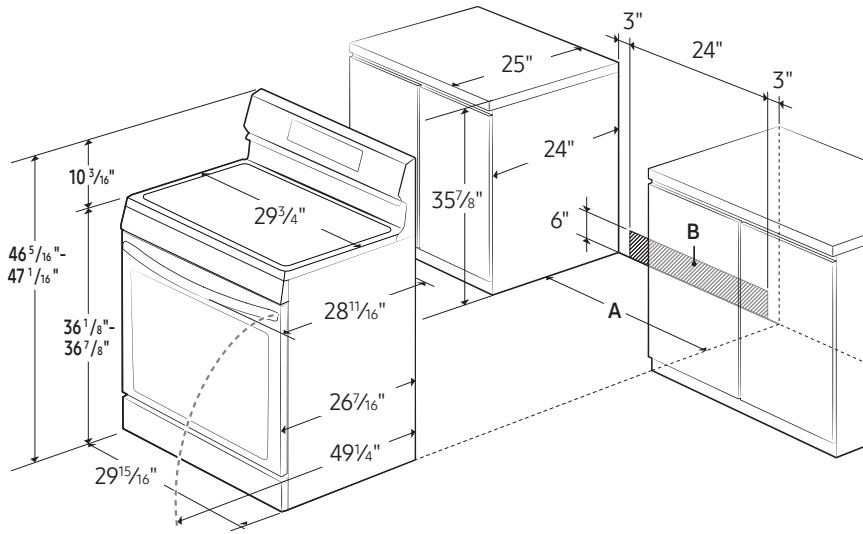
# NE63A6511SS

# SAMSUNG

## Samsung Smart Freestanding Electric Range with No Pre-heat Air Fry & Convection

6.3 cu. ft. Capacity

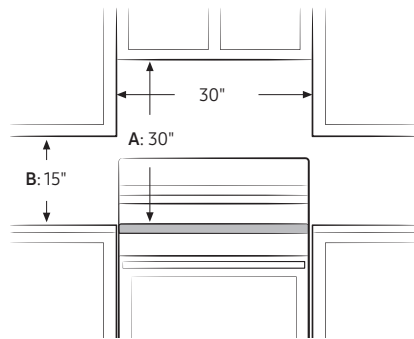
### Installation Specifications



A: Cabinet opening min 30"

B: Acceptable electrical outlet area

**IMPORTANT:** If your cabinets are over 36<sup>3</sup>/<sub>4</sub>" high, you must install this range on a hard, heat-resistant support that raises the surface of the range so that it is about even with the countertop.



A: 30" minimum clearance between the top of the cooking surface and the bottom of an unprotected wood or metal cabinet; or 24" minimum when the bottom of the wood or metal cabinet is protected by not less than 1/4" of flame retardant millboard covered with not less than no.28 MSG sheet steel, 0.015" stainless steel, 0.024" aluminum, or 0.020" copper.

B: 15" minimum between the countertop and the adjacent cabinet bottom.

**IMPORTANT:** Consult with Installation Manual for detailed instructions before installing. All ranges must be installed with the Anti-Tip device that is included.

### Power Source

240V/208V/60 Hz/40A

### Electric Cooktop

- Right Front: 9"/12" Dual Ring Burner, 3000 W
- Left Front: 6"/9" Dual Ring Burner, 3300 W
- Right Rear: 6" Burner, 1200 W
- Left Rear: 6" Burner, 1200 W
- Center: Warming Center, 100 W

### Oven

- Capacity: 6.3 cu. ft.
- Convection Element/Heater
- Convection Bake
- Convection Roast
- Bake
- Variable Broil: Low/High
- Air Fry
- Bread Proof
- Dehydrate

### Warranty

One (1) Year Parts and Labor

### Product Dimensions & Weight (WxHxD)

Oven Interior Dimensions:

24<sup>13</sup>/<sub>16</sub>" x 22<sup>7</sup>/<sub>16</sub>" x 19<sup>3</sup>/<sub>4</sub>"

Outside Net Dimensions:

29<sup>15</sup>/<sub>16</sub>" x 46<sup>5</sup>/<sub>16</sub>"-47<sup>1</sup>/<sub>16</sub>" (Adjustable) x 28<sup>11</sup>/<sub>16</sub>"

Weight: 148 lbs

### Shipping Dimensions & Weight (WxHxD)

Dimensions:

33<sup>1</sup>/<sub>16</sub>" x 50<sup>9</sup>/<sub>16</sub>" x 30<sup>5</sup>/<sub>16</sub>"

Weight: 172 lbs

### Color

Fingerprint Resistant  
Stainless Steel

### Model #

NE63A6511SS

### UPC Code

887276509426

Fingerprint Resistant  
Black Stainless Steel

NE63A6511SG

887276509419

Black

NE63A6511SB

887276509402

White

NE63A6511SW

887276509440

