

NX60A6711SS

SAMSUNG

Samsung Smart Freestanding Gas Range with No Pre-heat Air Fry, Convection+ & Stainless Steel Cooktop 6.0 cu. ft. Capacity



Signature Features

Stainless Cooktop

- Our Stainless Steel design completely covers all cooktop and backguard surfaces, elevating the look of any kitchen.

Air Fry

- A healthier way to prepare your favorite fried foods right in your oven with little to no oil.* No preheating required. Air Fry tray included.

*As compared to deep frying.

Convection+

- Powerful Convection+ saves you time by cooking food fast and more evenly. Fan with a heated element circulates hot air in the oven for perfect baking and roasting.

Available Colors

-  Fingerprint Resistant Stainless Steel (shown)
-  Fingerprint Resistant Black Stainless Steel
-  Fingerprint Resistant Tuscan Stainless Steel



Air Fry



Convection+

Features

- Stainless Steel Cooktop
- Air Fry, Tray Included
- Convection+
- Large Oven Capacity – 6.0 cu. ft.
- Extra Oven Settings - Bread Proof, Dehydrate, Favorite Cook, Keep Warm
- Removable Non-Stick Griddle
- Edge-to-Edge Grates
- Storage Drawer

- Flexible Cooktop:
Five Burner Cooktop
 - Right Front: 18K BTU Dual Ring
 - Left Front: 17K BTU
 - Right Rear: 5K BTU
 - Left Rear: 9.5K BTU
 - Center (Oval): 10K BTU

Convenience

- Wi-Fi Connectivity
- Voice-Enabled
- SmartThings Cooking
- Convection Auto Conversion
- Self Clean
- Sabbath Mode
- Child Safety Lock
- Delay Start
- Auto Oven Light
- Kitchen Timer



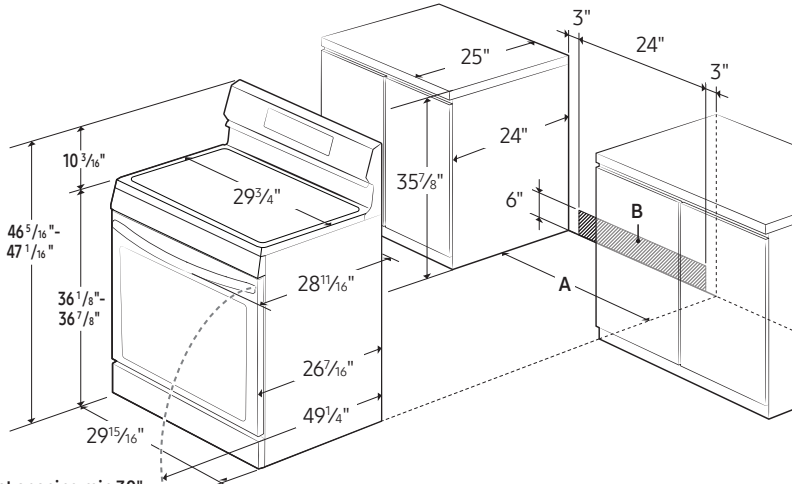
NX60A6711SS

SAMSUNG

Samsung Smart Freestanding Gas Range with No Pre-heat Air Fry, Convection+ & Stainless Steel Cooktop

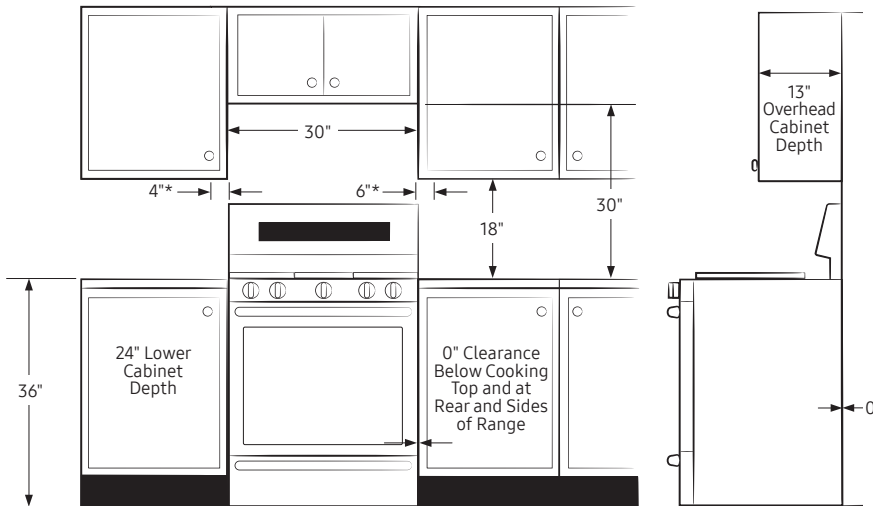
6.0 cu. ft. Capacity

Installing Your Range



A: Cabinet opening min 30"
B: Acceptable electrical outlet area

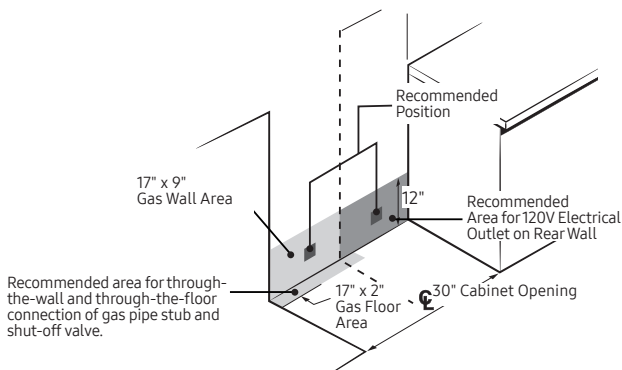
IMPORTANT: If your cabinets are over 36 3/4" high, you must install this range on a hard, heat-resistant support that raises the surface of the range so that it is about even with the countertop.



* Side clearance above cooking surface to any objects, i.e., wall.

IMPORTANT: Consult with Installation Manual for detailed instructions before installing. All ranges must be installed with the Anti-Tip device that is included.

Recommended Locations for Gas Piping and Electrical Outlets



Recommended area for through-the-wall and through-the-floor connection of gas pipe stub and shut-off valve.

Power Source

120V/60 Hz/20A

Total Power (BTU)

59,500 BTU

5-Burner Cooktop

- Right Front: 18K BTU, Dual Ring
- Left Front: 17K BTU
- Right Rear: 5K BTU
- Left Rear: 9.5K BTU
- Center (Oval): 10K BTU

Oven

- Capacity: 6.0 cu. ft.
- Convection Element/Heater
- Convection Bake
- Convection Roast
- Bake
- Variable Broil: Low/High
- Air Fry
- Bread Proof
- Dehydrate

Warranty

One (1) Year Parts and Labor

Product Dimensions & Weight (WxHxD)

Oven Interior Dimensions:

24¹³/₁₆" x 21⁵/₈" x 19⁵/₈"

Outside Net Dimensions:

29¹⁵/₁₆" x 46⁵/₁₆"-47¹/₁₆" (Adjustable) x 28¹¹/₁₆"

Weight: 187 lbs

Shipping Dimensions & Weight (WxHxD)

Dimensions:

33¹/₁₆" x 50⁹/₁₆" x 30⁵/₁₆"

Weight: 211 lbs

Color

Fingerprint Resistant

Stainless Steel

Model

NX60A6711SS

UPC Code

887276509617

Fingerprint Resistant

Black Stainless Steel

NX60A6711SG

887276509600

Fingerprint Resistant

Tuscan Stainless Steel

NX60A6711ST

887276509624



Actual color may vary. Design, specifications, and color availability are subject to change without notice. Non-metric weights and measurements are approximate.

©2021 Samsung Electronics America, Inc. 85 Challenger Road, Ridgefield Park, NJ 07660. Tel: 800-SAMSUNG. samsung.com. Samsung is a registered trademark of Samsung Electronics Co. Ltd.